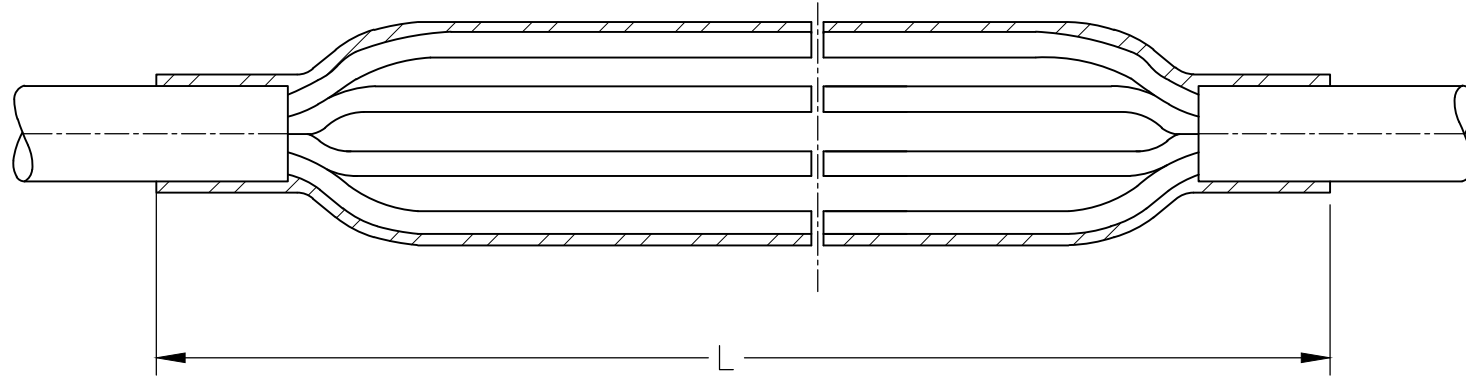



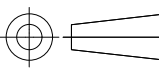
P	LTR	DESCRIPTION	DATE	DWN	APVD
	1	NEW DRAWING	24FEB2020	RK	GS



Cable cross section mm <sup>2</sup>	L: Min. Length mm	L: Max. Length mm
1.5-6	300	550
10-50	350	750
35-150	400	950
95-300	450	1500

NOTES:

1. MATERIAL: JACKET – CROSS LINKED POLYOLEFIN BASED; COLOUR: BLACK
2. CONTINUOUS USE TEMP: -40° C TO 85° C
3. MIN RECOVERY TEMP 120° C

THIS DRAWING IS A CONTROLLED DOCUMENT.		DWN RAGHAVENDRA K 24FEB2020	 TE Connectivity		
DIMENSIONS: mm		CHK GREG S 24FEB2020			
		APVD GREG S 24FEB2020	NAME LOW VOLTAGE HEAT SHRINKABLE JOINTS		
TOLERANCES UNLESS OTHERWISE SPECIFIED:		PRODUCT SPEC	-		
0 PLC ± -		APPLICATION SPEC	-		
1 PLC ± -		WEIGHT	-		
2 PLC ± -		SIZE A3		CAGE CODE 00779	DRAWING NO C-EPD-202-312002-01
3 PLC ± -		CUSTOMER DRAWING		SCALE NTS	SHEET 1 OF 1
4 PLC ± -		RESTRICTED TO		REV 1	
ANGLES ± -					
FINISH					
MATERIAL SEE NOTE					