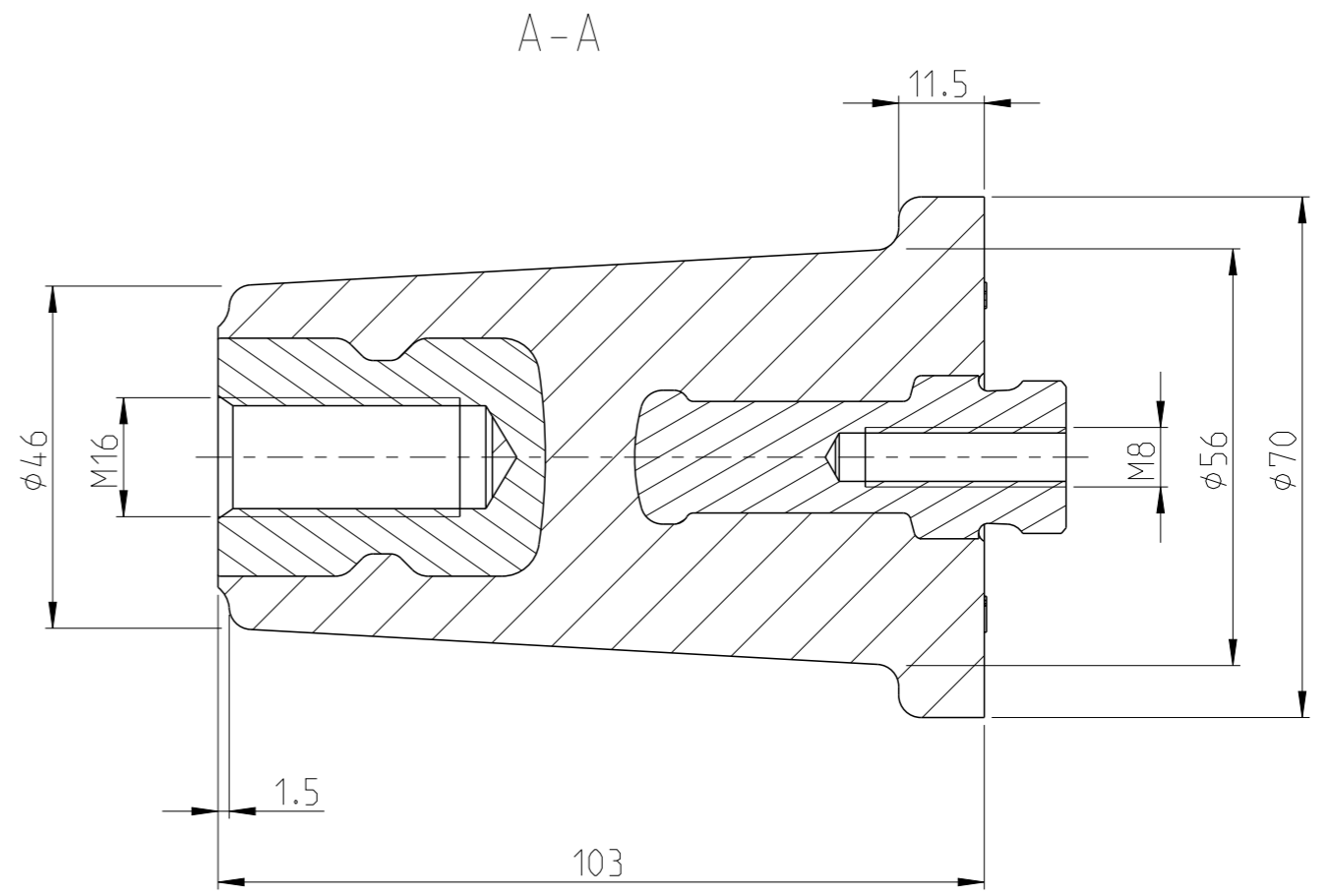
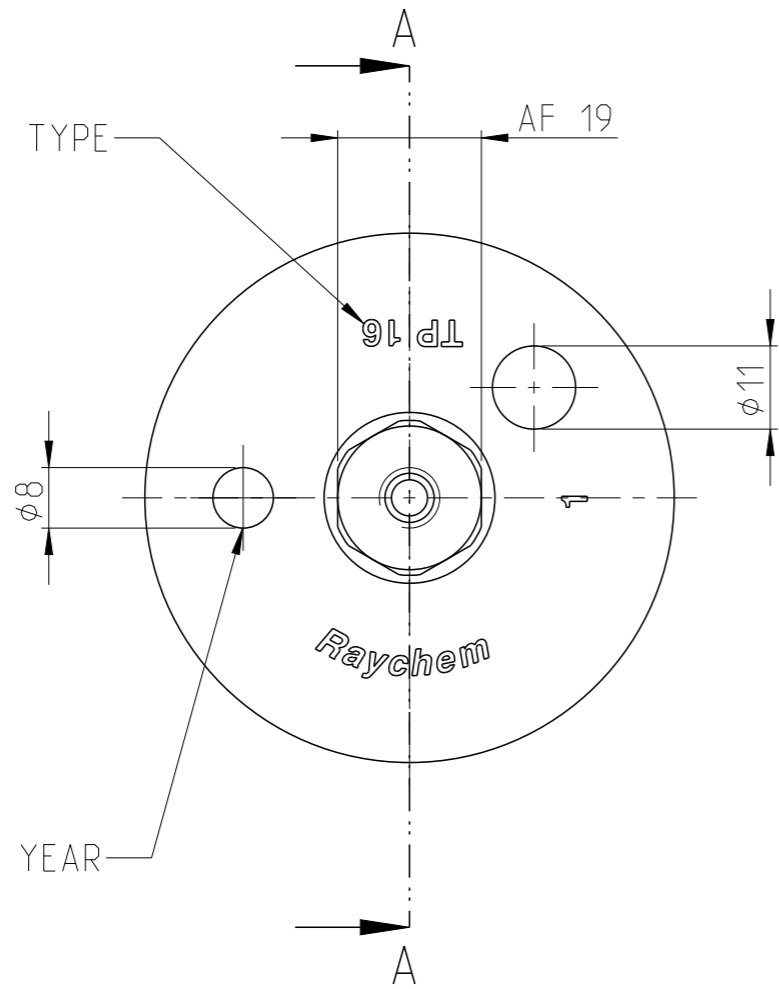


P	LTR	DESCRIPTION	DATE	DWN	APVD

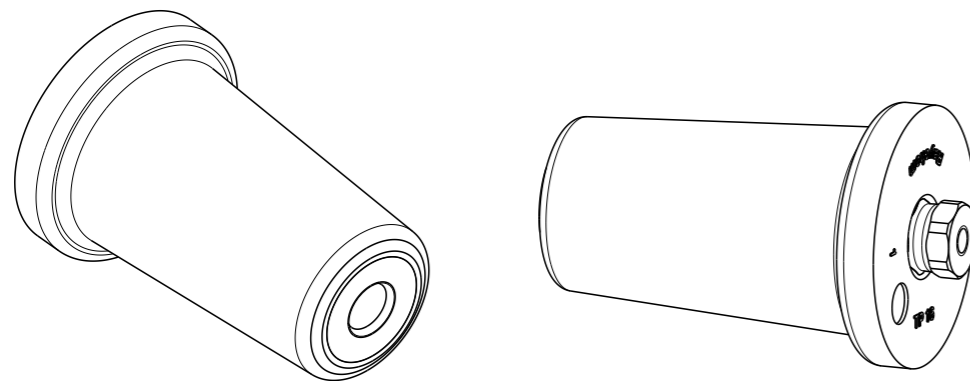


MONTH 1-12 + YEAR


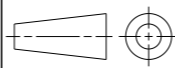
Voltage Class up to
 $U_m = 42 \text{ kV}$

Partial Discharge at
 $U_m = 42 \text{ kV} < 2 \text{ pC}$

1:2



CN4429-000	RST1-0442-20
PART NO.	PART DESCRIPTION

THIS DRAWING IS A CONTROLLED DOCUMENT.		DWN	24SEP2021	 TE Connectivity	
DIMENSIONS:		CHK	24SEP2021		
mm		APVD	24SEP2021		
		PRODUCT SPEC	-		
TOLERANCES UNLESS OTHERWISE SPECIFIED:		NAME	Terminating Plug		RESTRICTED TO
0 PLC \pm		J. Valencia	RST1-68TP		
1 PLC \pm		APPLICATION SPEC	-		SIZE
2 PLC \pm		WEIGHT	-		CAGE CODE
3 PLC \pm		CUSTOMER DRAWING	-		DRAWING NO
4 PLC \pm		SCALE	1:1		SHEET
ANGLES \pm		SCALE	1:1		1 OF 1
FINISH		SCALE	1:1		REV
-		SCALE	1:1		A
-		SCALE	1:1		