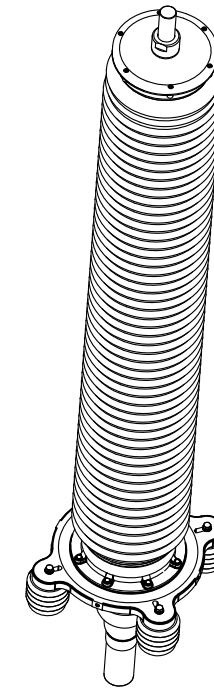
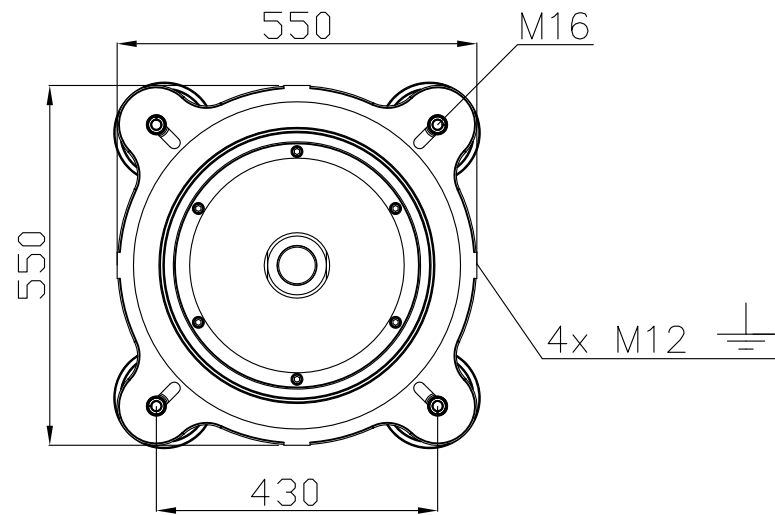
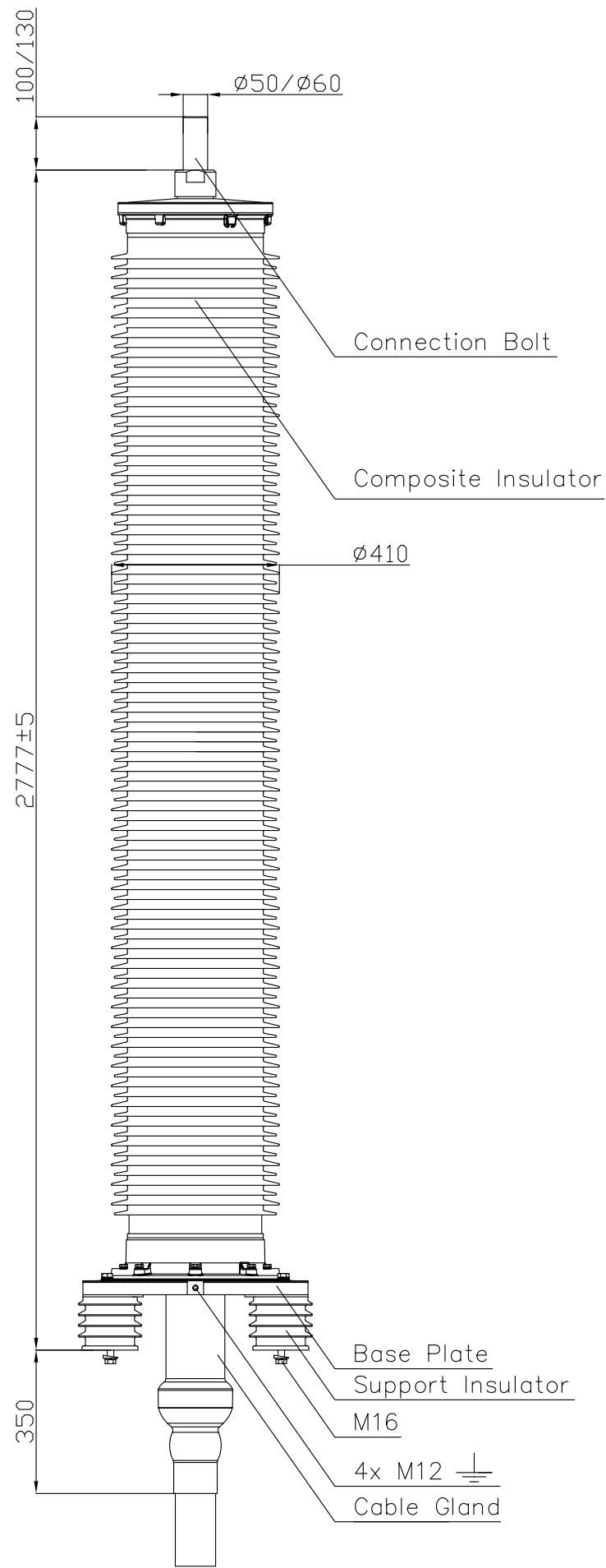


While TE Connectivity (TE) has made every reasonable effort to ensure the accuracy of the information in this catalog, TE does not guarantee that it is error-free, nor does TE make any other representation, warranty or guarantee that the information is accurate, correct, reliable or current. TE reserves the right to make any adjustments to the information contained herein at any time without notice. TE expressly disclaims all implied warranties regarding the information contained herein, including, but not limited to, any implied warranties of merchantability or fitness for a particular purpose. The dimensions in this catalog are for reference purposes only and are subject to change without notice. Specifications are subject to change without notice. Consult TE for the latest dimensions and design specifications.



Technical Data

Highest voltage	kV	245
Lightning impulse voltage	kV	1050
Length	mm	2777
Diameter over sheds	mm	410
Cantilever force	N	5800
Flashover distance	mm	2338
Creepage distance	mm	8401
Oil volume approx.	l	132
Weight approx.	kg	275
Max. conductor size Cu/Al approx.	mm ²	2500
Outer diameter cable insulation	mm	≤119
Outer diameter cable oversheath	mm	≤150

OUTDOOR – TERMINATION
245 kV
COMPOSITE – INSULATOR
FOR XLPE – CABLE

OHVT-245C (-4A)

Offer drawing

Raychem
from TE Connectivity

TE Connectivity drawing no.:
EPD-204-1428-00

SHEET 1 OF 1 REV B