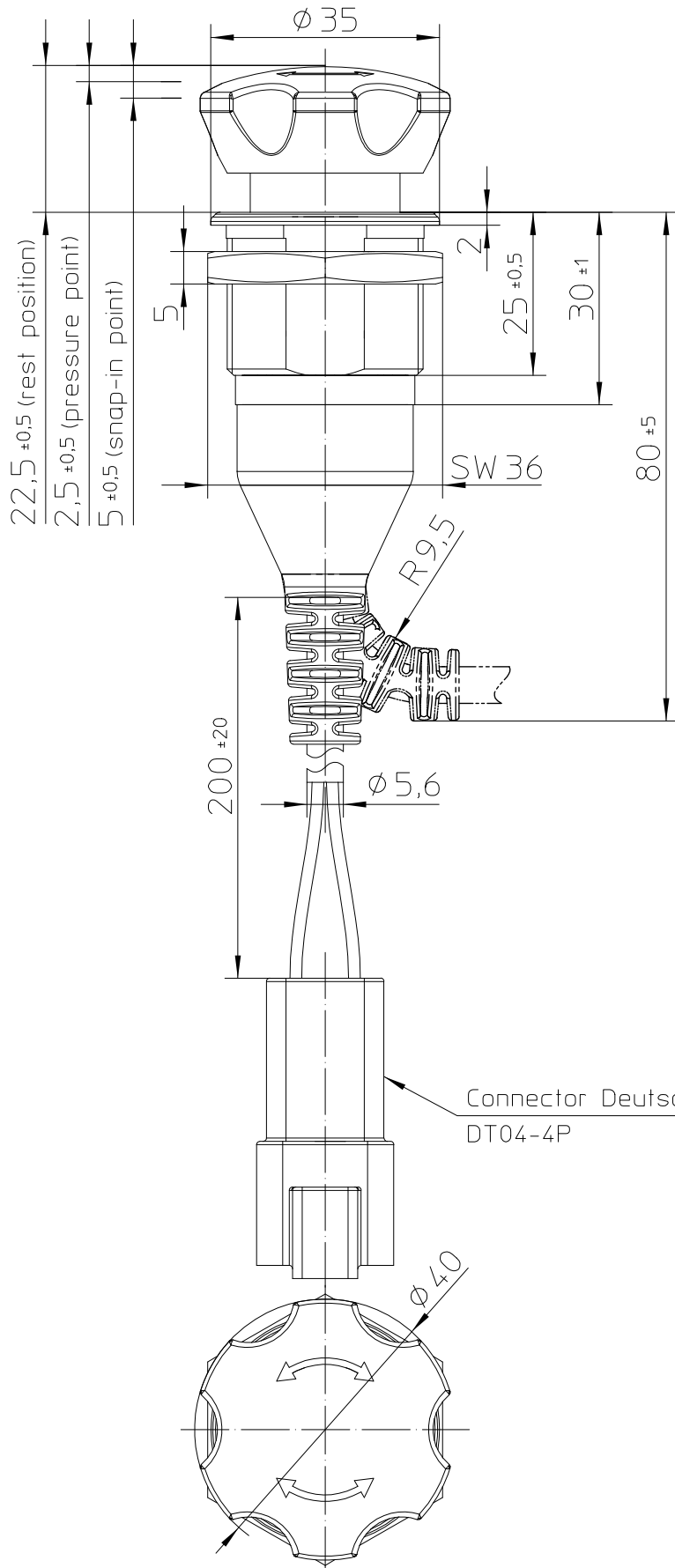
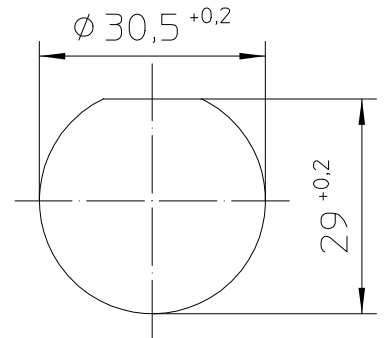


Emergency Switch

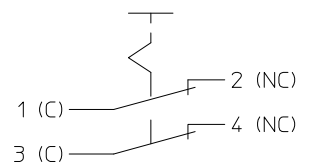


Mounting dimensions



Connector Deutsch
DT04-4P

Circuit Diagram



For this drawing we reserve the copyright
in accordance with DIN ISO 16016

	Date	Name
Create	04.02.2020	Hamar
Edited	04.02.2020	Hamar
Check	04.02.2020	Baumg

mm	Scale
\longleftrightarrow	1:1
General Tolerances DIN ISO 2768 cL	



Drawing No:

ES-2002-T312-020B

NSN:

Technical Data

Construction

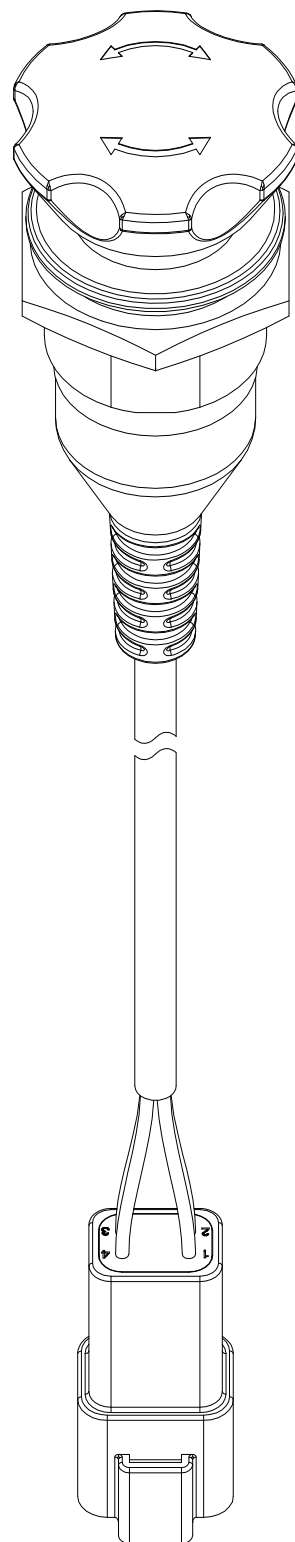
Material socket.....	PA GF RAL 1003; UL 94 V0
Material button.....	PA GK RAL 3000; UL 94 HB
Protection interior	IP67 IEC 60529
.....	IP6K9K IEC 60529
connector (in mated condition)	IP67 IEC 60529
Shock resistance.....	ISO 16750-3; 50g/ 6ms half sinus
Vibration resistance.....	ISO 16750-3; Test VII
Climatic resistance.....	IEC 60068-2-38
Chemical resistance.....	ISO 16750-5; Code Z
Temperature range	-40°C to +85°C
Torque M30x1,5 max.	6 Nm
Weight.....	75g

Mechanical Data

Locking (turn to reset).....	EN 60947-5-5
Positive opening operation (NO).....	EN 60947-5-1
Operating force max.	20-50 N
Torque knob max.	3 Nm
Current carrying party	Cu-Alloy
Contact material	Ag-Alloy
Mechanical life	40 000 cycles

Electrical Data

Voltage range	9VDC to 32VDC
Nominal voltage	12VDC / 24VDC
Dielectric withstanding voltage	1050 VAC for 1 min.
contact resistance	max. 50 mOhm
Insulation resistance.....	> 100 MOhm at 500 VDC
Continuous current	10mA to 8A
Current max.	10,1 A
Switching capacity min.	12 VDC, 10mA
Electrical life	
at 8 A / 28 VDC ohmic load	10 000 cycles
at 5 A / 28 VDC ohmic load	40 000 cycles
at 2 A / 28 VDC ohmic load	40 000 cycles
Short circuit protection	Automotive fast-acting fuse 10A



For this drawing we reserve the copyright in accordance with DIN ISO 16016

	Date	Name
Create	04.02.2020	Hamar
Edited	04.02.2020	Hamar
Check	04.02.2020	Baumg



Scale

1:1

General Tolerances
DIN ISO 2768 cL



Drawing No:

ES-2002-T312-020B

NSN.: