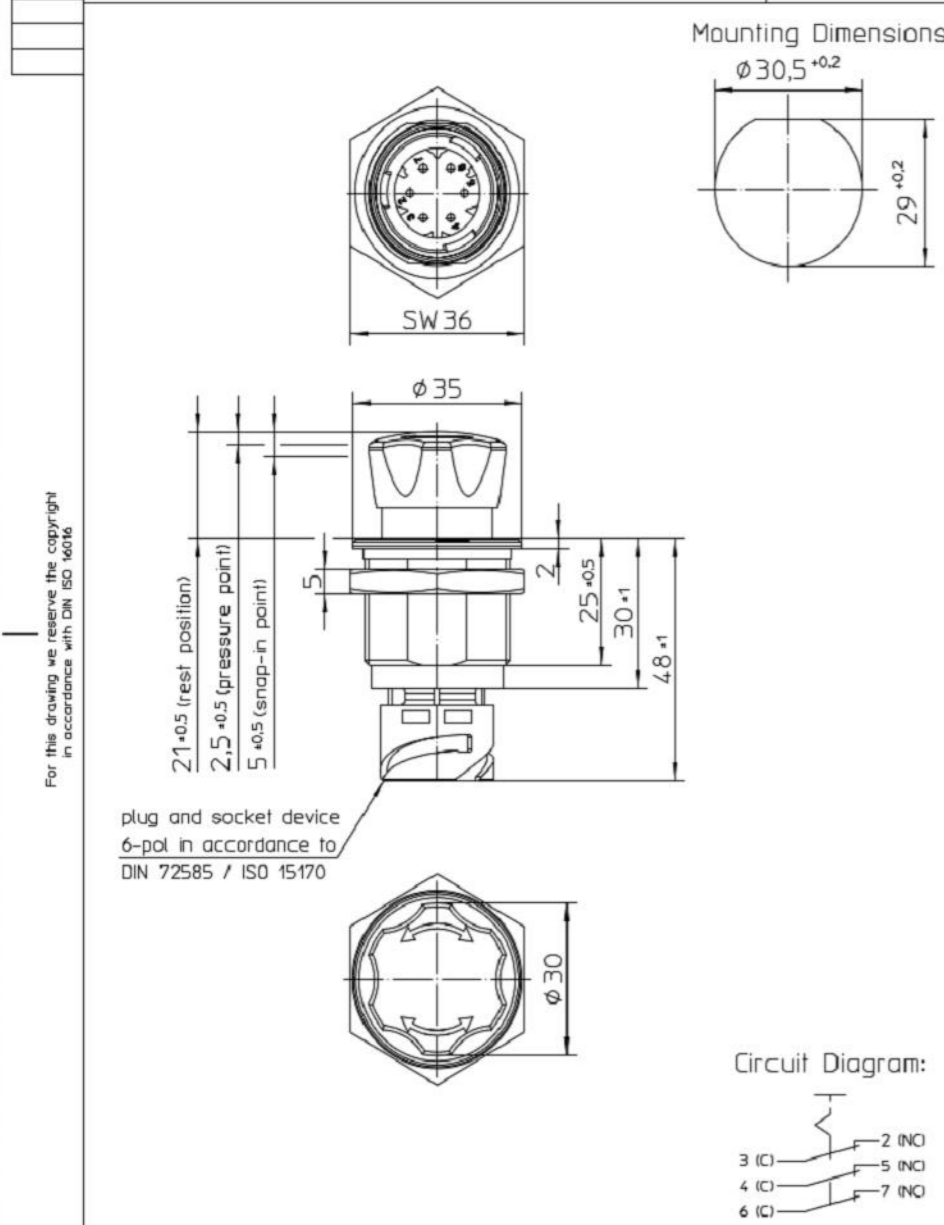


P	LTR	DESCRIPTION	DATE	DWN	APVD
A		TE STANDARD	04 JUL 2024	KS	RB



Technical Data

Construction

Material socket PA GF RAL 1003, UL 94 V0
 Material button PA GK RAL 3000, UL 94 HB
 Protection interior IP67 IEC 60529
 IP6K9K IEC 60529
 connector (in mated condition) IP67/ IP6K9K IEC 60529

Shock resistance ISO 16750-3, 50g/ 6ms half sinus
 Vibration resistance ISO 16750-3, Test VII
 Climatic resistance IEC 60068-2-38
 Chemical resistance ISO 16750-5, Code Z
 Temperature range -40°C to +85°C
 Torque M30x1,5 max. 6 Nm
 Weight ca. 45g

Mechanical Data

Lacking turn to reset EN 60947-5-5
 Positive opening operation NO EN 60947-5-1
 Operating force max. 20-50 N
 Torque knob max. 3 Nm
 Current carrying party Cu-Alloy
 Contact material Ag-Alloy
 Mechanical life 40 000 cycles

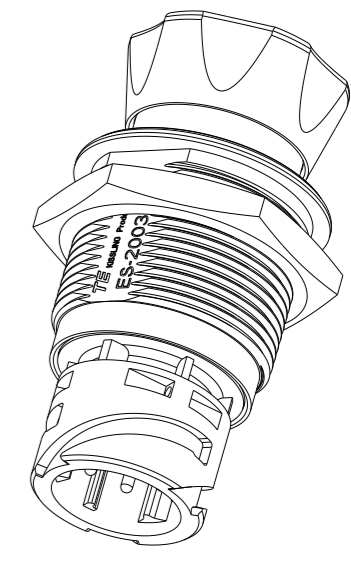
Electrical Data

Voltage range 9VDC to 32VDC
 Nominal voltage 12VDC / 24VDC
 Dielectric withstanding voltage 1050 VAC for 1 min.
 contact resistance max. 50 mOhm
 Insulation resistance > 100 MOhm at 500 VDC
 Continuous current 10mA to 10A
 Current max. 10,1 A
 Switching capacity min. 12 VDC, 10mA
 Electrical life
 at 10 A / 28 VDC ohmic load 10 000 cycles
 at 5 A / 28 VDC ohmic load 40 000 cycles
 at 2 A / 28 VDC ohmic load 40 000 cycles
 Short circuit protection Automotive fast-acting fuse 10A



NOTES
 Bemerkungen

1 TE-CONNECTIVITY ORDER-NUMBER
 TE-Connectivity Bestellnumm



ISO 1:1

Date	Name	mm	Scale	Drawing No.
Create 11.07.2016	Hamar	mm	1:1	ES-2003-T111
Edited 23.05.2019	Hamar	General Tolerances DIN ISO 2768 cL		NSN:
Check 23.05.2019	Baumg			

Date	Name	mm	Scale	Drawing No.
Create 11.07.2016	Hamar	mm	1:1	ES-2003-T111
Edited 23.05.2019	Hamar	General Tolerances DIN ISO 2768 cL		NSN:
Check 23.05.2019	Baumg			

K1155494	1	A	EMERGENCY SWITCH Not-Halt Schalter	1
TE ORDER-NO.	REV.		DESCRIPTION	ITEM NO.

THIS DRAWING IS A CONTROLLED DOCUMENT.

DIMENSIONS:	TOLERANCES UNLESS OTHERWISE SPECIFIED:	DWN	11JUL2016
mm	DIN ISO 2768 cL	CHK	23MAY2019
	0 PLC ±	APVD	23MAY2019
	1 PLC ±	NAME	R. Baumgartner
	2 PLC ±	PRODUCT SPEC	EMERGENCY SWITCH Not-Halt Schalter
	3 PLC ±	APPLICATION SPEC	
4 PLC ±	FINISH	WEIGHT	
ANGLES ±		CUSTOMER DRAWING	

SIZE	CAGE CODE	DRAWING NO.	RESTRICTED TO
A3	00779	ES-2003-T111	-
SCALE	SHEET	1 OF 1	REV A