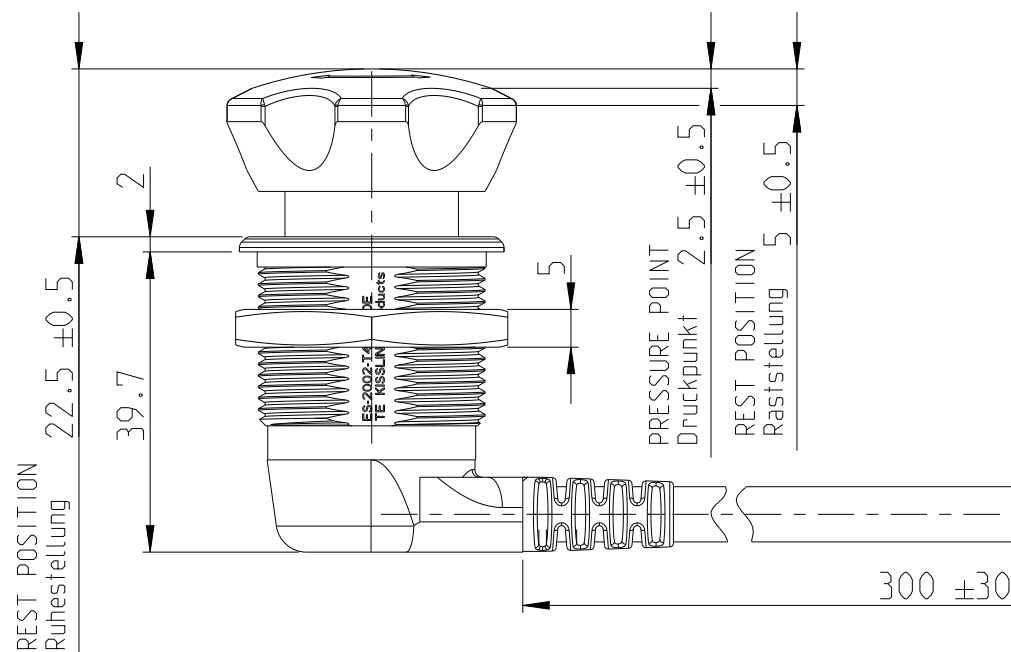
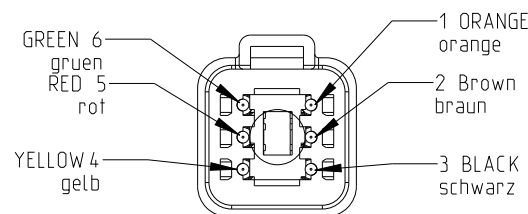


P	LTR	DESCRIPTION	DATE	DWN	APVD
	A	ECN-24-252109 TE STANDARD	15FEB2024	SS	RB
	A1	ECN-24-269053 CONNECTOR INFO ADDED	05JUN2024	KS	RB

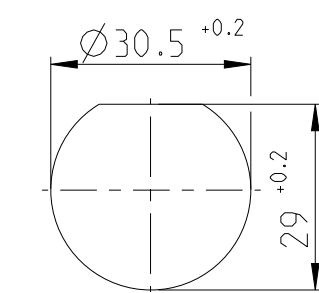
NOTES
Bemerkungen

1 TE-CONNECTIVITY ORDER-NUMBER
TE-Connectivity Bestellnummer

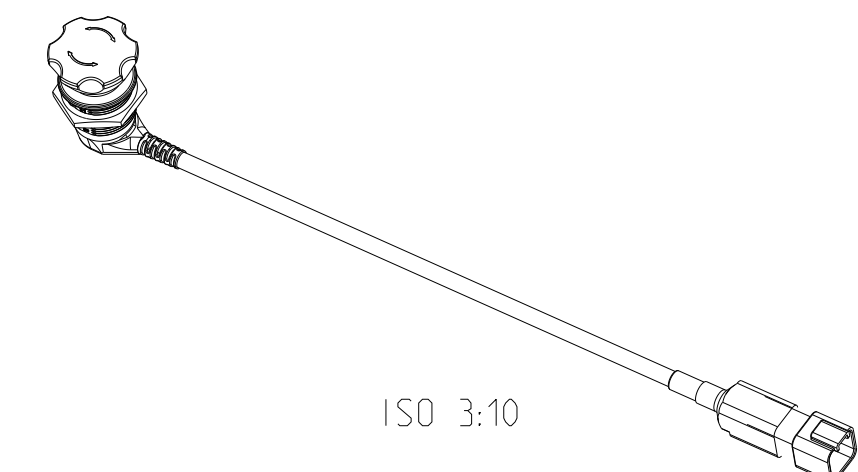
CONNECTOR VIEW FROM THE FRONT
Steckeransicht von vorne



INSTALLATION DIMENSIONS
Einbaumaße

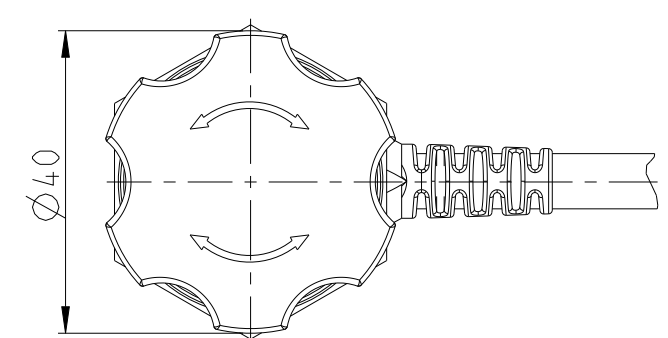
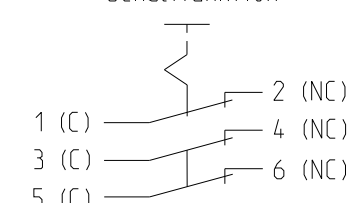


CONNECTOR DT04-6P
Stecker DT04-6P



ISO 3:10

CIRCUIT DIAGRAM
Schaltfunktion



K1163730	1	A	EMERGENCY STOP SWITCH Not-Halt-Schalter	95	1
TE ORDER-NO.	REV.		DESCRIPTION	WEIGHT [g]	ITEM NO.

PARTS LIST

THIS DRAWING IS A CONTROLLED DOCUMENT.		DWN Shrihari Y 28DEC2023															
DIMENSIONS: mm		CHK K.Seeger 28DEC2023															
TOLERANCES UNLESS OTHERWISE SPECIFIED: DIN ISO 2867 cL		APVD U.Grindemann 28DEC2023	NAME EMERGENCY STOP SWITCH Not-Halt-Schalter														
<table border="1"> <tr><td>0 PLC</td><td>±</td></tr> <tr><td>1 PLC</td><td>±</td></tr> <tr><td>2 PLC</td><td>±</td></tr> <tr><td>3 PLC</td><td>±</td></tr> <tr><td>4 PLC</td><td>±</td></tr> <tr><td>ANGLES</td><td>±</td></tr> </table>		0 PLC	±	1 PLC	±	2 PLC	±	3 PLC	±	4 PLC	±	ANGLES	±	PRODUCT SPEC	SIZE A3		
0 PLC	±																
1 PLC	±																
2 PLC	±																
3 PLC	±																
4 PLC	±																
ANGLES	±																
MATERIAL		APPLICATION SPEC	CAGE CODE 00779	DRAWING NO. ES-2003-T412-020C	RESTRICTED TO -												
		WEIGHT	SCALE 1:1														
		CUSTOMER DRAWING	SHEET 1 OF 2														
			REV A1														

REVISIONS

P	LTR	DESCRIPTION	DATE	DWN	APVD
		SEE SHEET 1			

TECHNICAL DATA

CONSTRUCTION

MATERIAL, HOUSING.....PA GF RAL 1003, UL 94 V0
MATERIAL, PUSH BUTTON.....PA GK RAL 3000; UL 94 HB
PROTECTION INTERIOR.....IP67 ACCORDING TO IEC 60529
.....IP6K9K ACCORDING TO IEC 60529
SHOCK RESISTANCEACCORDING TO ISO 16750-3, 50G/ 6MS HALF SINE
VIBRATION RESISTANCE.....ACCORDING TO ISO 16750-3, TEST VII
CLIMATIC RESISTANCE.....ACCORDING TO IEC 60068-2-38
CHEMICAL RESISTANCE.....ACCORDING TO ISO 16750-5; CODE Z
TEMPERATURE RANGE.....-40°C TO +85°C
MAX. TORQUE M30X1.56 Nm
WEIGHT.....90g

MECHANICAL DATA

LOCKING (TURN TO RESET).....ACCORDING TO EN 607-5-5
POSITIVE OPENING OPERATION (NC).....ACCORDING TO EN 607-5-1
OPERATING FORCE.....20-50 N
TORQUE KNOB MAX3 Nm
CURRENT CARRYING PARTS.....Cu ALLOY
CONTACT MATERIAL.....Ag ALLOY
MECHANICAL LIFE.....40,000 CYCLES

ELECTRICAL DATA

VOLTAGE RANGE.....9VDC TO 30VDC
NOMINAL VOLTAGE.....12VDC / 24VDC
DIELECTRIC WITHSTANDING VOLTAGE.....1050 VAC FOR 1 MIN
CONTACT RESISTANCE.....MAX. 50mOhm
INSULATION RESISTANCE.....> 100 MOhm AT 500 VDC
CONTINUOUS CURRENT.....10mA TO 8A
CURRENT MAX.....10.1A
SWITCHING CAPACITY MIN.....12 VDC, 10mA
ELECTRICAL LIFE
AT 8 A / 28 VDC RESISTIVE LOAD.....10 000 CYCLES
AT 5 A / 28 VDC RESISTIVE LOAD.....40 000 CYCLES
AT 2 A / 28 VDC RESISTIVE LOAD.....40 000 CYCLES
SHORT-CIRCUIT PROTECTION ACCORDING TO EN 60947-5-1...KFZ-BACKUP 10A

Technische Daten

Aufbau


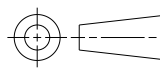
Werkstoff, Gehäuse.....PA GF RAL 1003, UL 94 V0
Werkstoff, Druckknopf.....PA GK RAL 3000; UL 94 HB
Schutzart Innenraum.....IP67 nach IEC 60529
.....IP6K9K nach IEC 60529
Schockfestigkeitnach ISO 16750-3; 50g/ 6ms halbsinus
Vibrationfestigkeit.....nach ISO 16750-3; Test VII
Klimafestigkeit.....nach IEC 60068-2-38
chem. Beständigkeit.....nach ISO 16750-5; Code Z
Umgebungstemperatur.....-40°C bis +85°C
Anzugsdrehmoment M30x1,5 max.....6 Nm
Gewicht.....90g

Mechanische Daten

Verrastung (Rückstellung durch drehen).....nach EN 60947-5-5
Zwangsöffnung (NC).....nach EN 60947-5-1
Betätigungskraft.....20-50 N
Drehmoment Knopf max3 Nm
Stromführende Teile.....Cu-Legierung
Kontaktwerkstoff.....Ag-Legierung
Mech. Lebensdauer.....40,000 Schaltspiele

Elektrische Daten

Betriebsspannung.....9VDC bis 30VDC
Nennspannung.....12VDC / 24VDC
Spannungsfestigkeit.....1050 VAC für 1 min
Kontaktwiderstand.....max. 50 mOhm
Isolationswiderstand.....> 100 MOhm bei 500 VDC
Dauerstrom.....10mA bis 8A
Schaltstrom max.....10.1 A
Schaltvermögen min.....12 VDC, 10mA
Elektr. Lebensdauer
bei 8 A / 28 VDC ohmsche Last.....10 000 Schaltspiele
bei 5 A / 28 VDC ohmsche Last.....40 000 Schaltspiele
bei 2 A / 28 VDC ohmsche Last.....40 000 Schaltspiele
Kurzschlußschutz gemäß EN 60947-5-1.....KFZ-Sicherung 10A

THIS DRAWING IS A CONTROLLED DOCUMENT.		DWN	28JUL2023	 TE Connectivity	
		CHK	28JUL2023		
		APVD	28JUL2023		
DIMENSIONS: mm		TOLERANCES UNLESS OTHERWISE SPECIFIED: DIN ISO 2867 cL		NAME EMERGENCY STOP SWITCH Not-Halt-Schalter	
		0 PLC ± 1 PLC ± 2 PLC ± 3 PLC ± 4 PLC ± ANGLES ±		PRODUCT SPEC	
MATERIAL		FINISH		APPLICATION SPEC	
		WEIGHT		SIZE	CAGE CODE
		CUSTOMER DRAWING		A3	00779
				DRAWING NO	RESTRICTED TO
				ES-2003-T412-020C	-
				SCALE	SHEET
				1:1	2 OF 2
				REV	A1