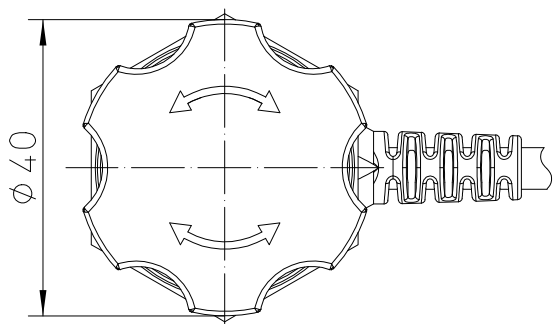
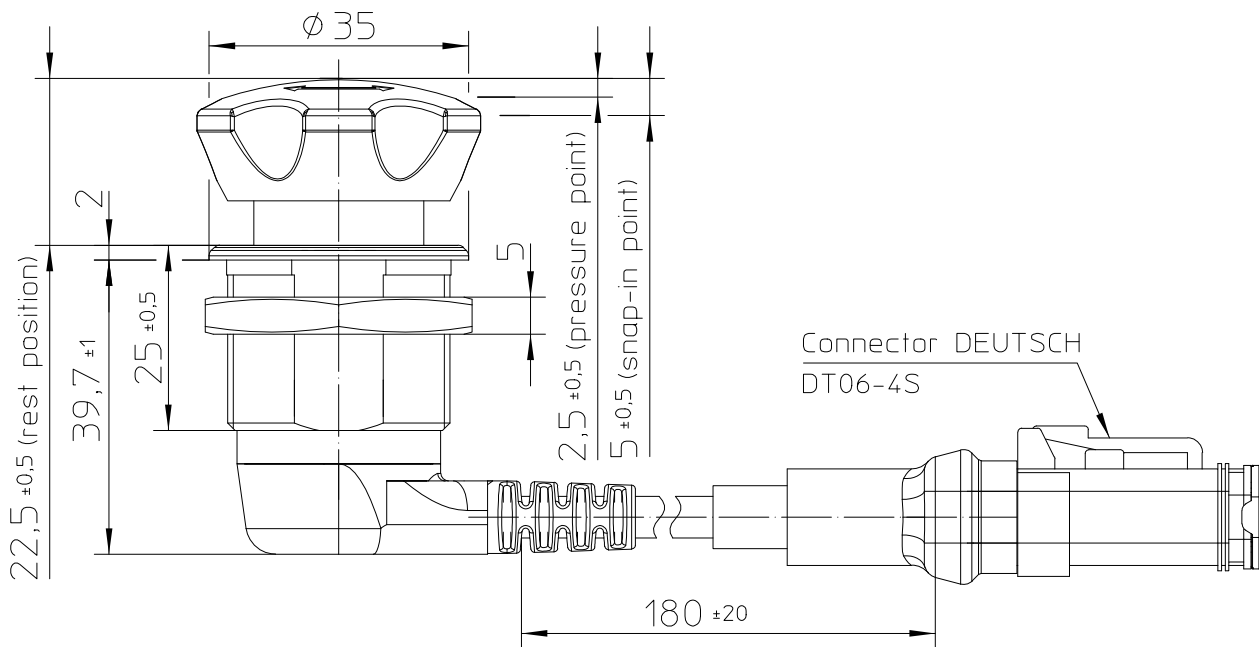
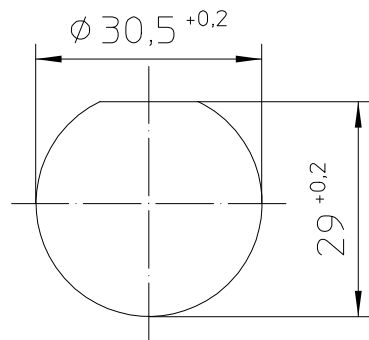
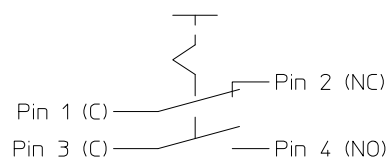


Mounting dimensions



Circuit Diagram:



For this drawing we reserve the copyright in accordance with DIN ISO 16016

	Date	Name
Create	21.03.2018	Hamar
Edited	09.10.2019	Hamar
Check	09.10.2019	Baumg

mm	Scale
↔	1:1
General Tolerances DIN ISO 2768 cL	



Drawing No:	ES-2011-T412-018A
NSN:	

