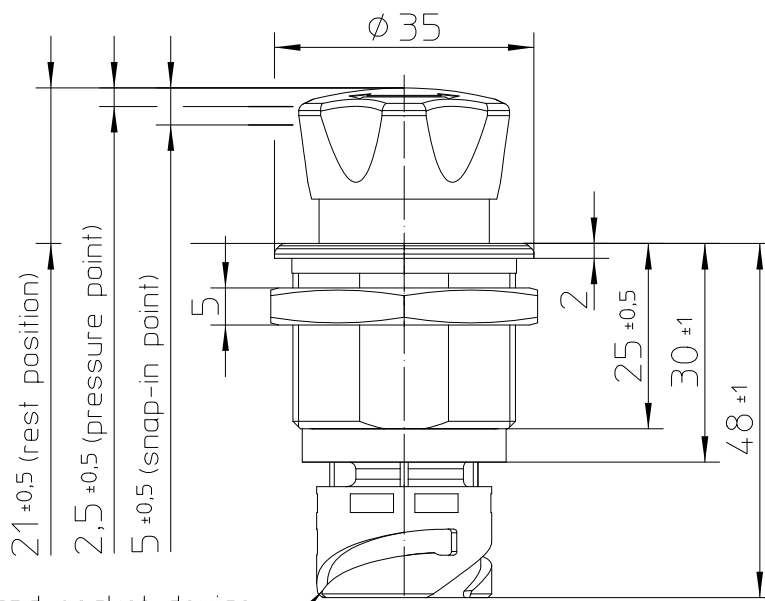
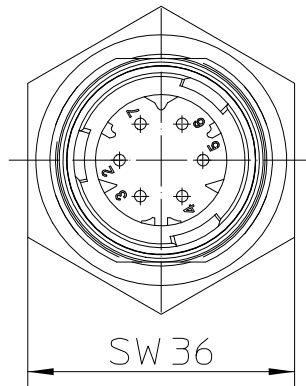
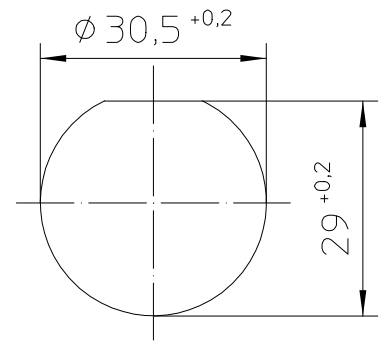
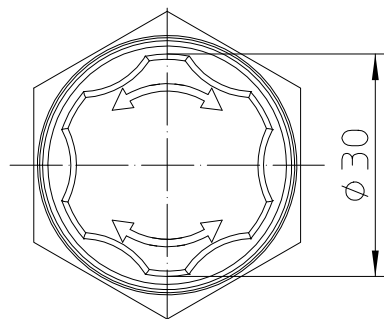


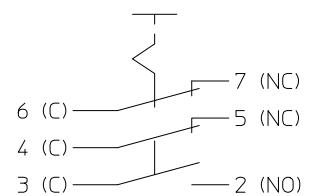
## Mounting Dimensions



plug and socket device  
6-pol in accordance to  
DIN 72585 / ISO 15170



## Circuit Diagram:



For this drawing we reserve the copyright  
in accordance with DIN ISO 16016

	Date	Name
Create	24.11.2014	Drech
Edited	07.10.2019	Hamar
Check	09.10.2019	Baumg

mm	Scale
	1:1
General Tolerances DIN ISO 2768 cL	



Drawing No:

ES-2012-T111

NSN:

