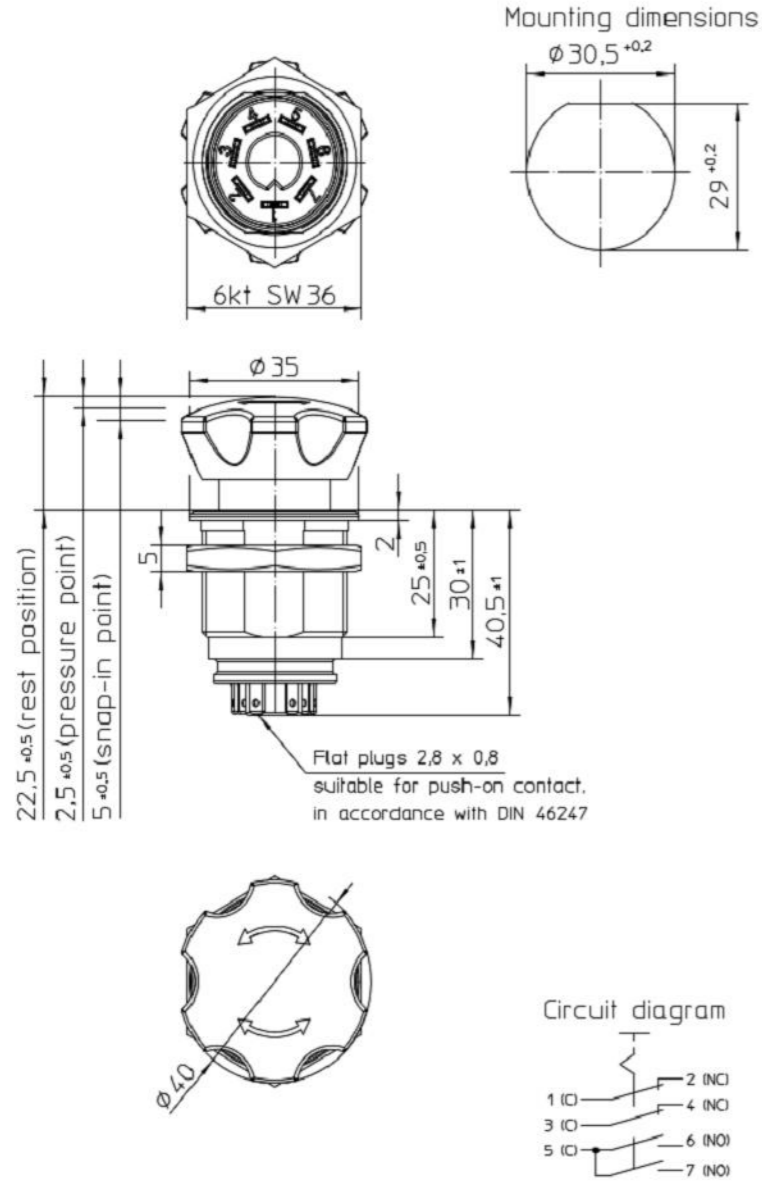


P	LTR	DESCRIPTION	DATE	DWN	APVD
A		TE STANDARD	04 JUL 2024	KS	RB

EC No. 22556 22779 22880	Emergency Switch	Page 1 of 2
-----------------------------------	------------------	-------------

EC No. 22556 22779 22880	Emergency Switch	Page 2 of 2
-----------------------------------	------------------	-------------



### Technical Data

#### Construction

Material socket ..... PA GF RAL 1003, UL 94 V0  
 Material button ..... PA GK RAL 3000, UL 94 HB  
 Protection interior ..... IP67 IEC 60529  
 ..... IP6K9K IEC 60529  
 connector in mated condition ..... IP67/ IP6K9K IEC 60529

Shock resistance ..... ISO 16750-3, 50g/ 6ms half sinus  
 Vibration resistance ..... ISO 16750-3, Test VII  
 Climatic resistance ..... IEC 60068-2-38  
 Chemical resistance ..... ISO 16750-5; Code Z  
 Temperature range ..... -40°C to +85°C  
 Torque M30x1.5 max. .... 6 Nm  
 Weight ..... approx. 45g

#### Mechanical Data

Locking (turn to reset) ..... EN 60947-5-5  
 Positive opening operation (NO) ..... EN 60947-5-1  
 Switching sequence ..... BBM - Break before make  
 Operating force max. .... 20-50 N  
 Torque knob max. .... 3 Nm  
 Current carrying party ..... Cu-Alloy  
 Contact material ..... Ag-Alloy  
 Mechanical life ..... 40 000 cycles

#### Electrical Data

Voltage range ..... 9VDC to 32VDC  
 Nominal voltage ..... 12VDC / 24VDC  
 Dielectric withstanding voltage ..... 1050 VAC for 1 min.  
 contact resistance ..... max. 50 mOhm  
 Insulation resistance ..... > 100 MOhm at 500 VDC  
 Continuous current ..... 10mA to 8A  
 Current max. .... 10,1 A  
 Switching capacity min. .... 12 VDC, 10mA

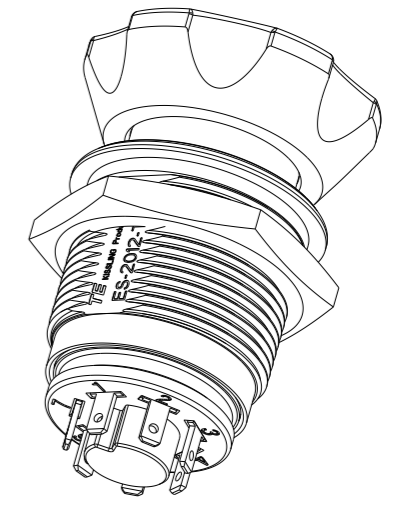
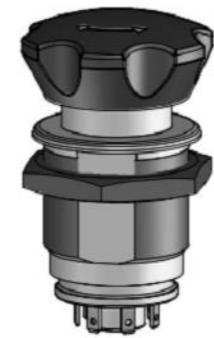
Electrical life .....

- at 8 A / 28 VDC ohmic load ..... 10 000 cycles
- at 5 A / 28 VDC ohmic load ..... 40 000 cycles
- at 2 A / 28 VDC ohmic load ..... 40 000 cycles

Short circuit protection ..... Automotive fast-acting fuse 10A

NOTES  
 Bemerkungen

1 TE-CONNECTIVITY ORDER-NUMBER  
 TE-Connectivity Bestellnumm



Date	Name	mm	Scale		Drawing No: ES-2012-T212
Create 19.04.2018	Baumg	→	1:1		
Edited 08.10.2019	Hamar	General Tolerances	DIN ISO 2768 cL		
Check 09.10.2019	Baumg	NSN:			

Date	Name	mm	Scale		Drawing No: ES-2012-T212
Create 19.04.2018	Baumg	→	1:1		
Edited 08.10.2019	Hamar	General Tolerances	DIN ISO 2768 cL		
Check 09.10.2019	Baumg	NSN:			

K1161512	1	A	EMERGENCY SWITCH Not-Halt Schalter	1
TE ORDER-NO.	REV.		DESCRIPTION	ITEM NO

THIS DRAWING IS A CONTROLLED DOCUMENT.

DIMENSIONS:	TOLERANCES UNLESS OTHERWISE SPECIFIED:	TE Connectivity
mm	DIN ISO 2768 cL	
	0 PLC ± 1 PLC ± 2 PLC ± 3 PLC ± 4 PLC ± ANGLES ±	
MATERIAL	FINISH	

DWN	19APR2018	TE Connectivity NAME EMERGENCY SWITCH Not-Halt Schalter			
CHK	08OCT2019				
APVD	09OCT2019				
PRODUCT SPEC					
APPLICATION SPEC		SIZE	CAGE CODE	DRAWING NO	RESTRICTED TO
WEIGHT		A3	00779	ES-2012-T212	-
CUSTOMER DRAWING	SCALE	SHEET	1 OF 1	REV	A