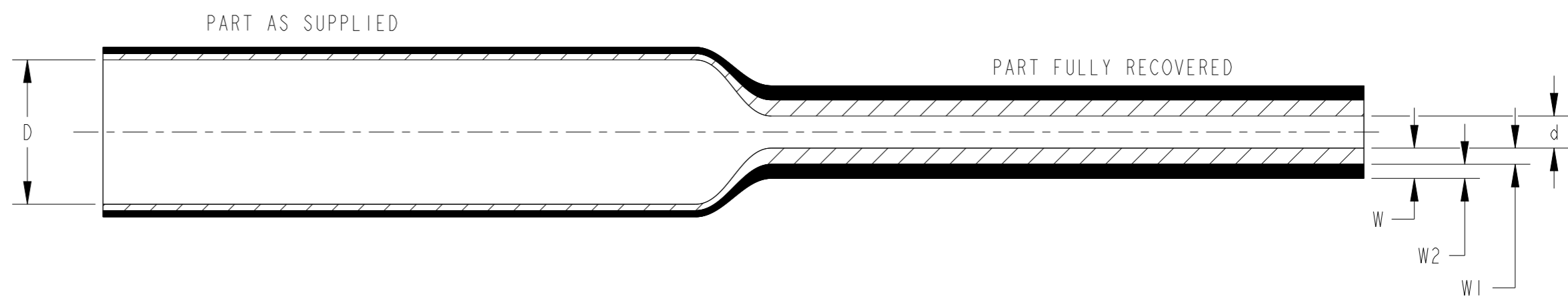
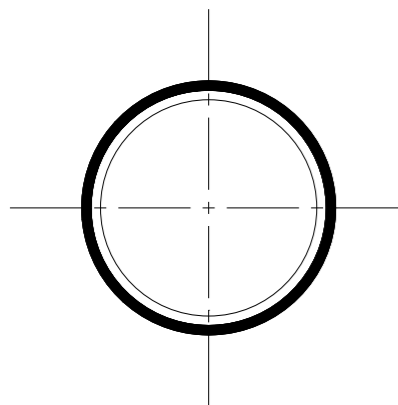


THERMOFIT ES1000 TUBING

POLYOLEFIN, SEMI-RIGID, ADHESIVE-LINED TUBING

DUAL WALL, ELECTRICALLY INSULATING, EXTRUDED TUBING

P	LTR	DESCRIPTION	DATE	DWN	APVD
	A	INITIAL RELEASE	11APR2023	BDA	MB



PRODUCT DIMENSIONS

PART NUMBER	AS SUPPLIED		AS RECOVERED							
	MINIMUM EXPANDED I.D. INCLUDING CORE (D)		MAXIMUM RECOVERED I.D. INCLUDING CORE (d)		MINIMUM RECOVERED JACKET WALL (W2)		MINIMUM RECOVERED ADHESIVE WALL (W1)		MINIMUM RECOVERED TOTAL WALL (W)	
	mm.	in.	mm.	in.	mm.	in.	mm.	in.	mm.	in.
ES1000-1	5.72	0.225	1.27	0.050	0.64	0.025	0.56	0.022	1.20	0.047
ES1000-2	7.44	0.293	1.65	0.065	0.76	0.030	0.76	0.030	1.52	0.060
ES1000-3	10.85	0.427	2.41	0.095	0.89	0.035	1.02	0.040	1.91	0.075
ES1000-4	17.78	0.700	4.45	0.175	1.04	0.041	1.37	0.054	2.41	0.095

PRODUCT INFORMATION

SHRINK RATIO: 4:1

COLOR
 JACKET-CLEAR
 ADHESIVE LINER-AMBER

TUBING CUT TO SPECIFIC LENGTHS CAN BE SUPPLIED FROM THE PRODUCT SIZES REFERENCED WITHIN THIS DRAWING

STANDARD CUTTING TOLERANCES(mm)	
CUT LENGTH	TOLERANCE
UPTO TO 9.90mm	±1.50mm
10mm TO 24.90mm	±1.50mm
25mm TO 54.90mm	±1.50mm
55mm TO 99.90mm	±3.00mm
100mm TO 149.90mm	±4.00mm
150mm TO 499.90mm	±5.00mm
500mm AND GREATER	±25.40mm

THIS DRAWING IS A CONTROLLED DOCUMENT.

DIMENSIONS: mm(Inches)

TOLERANCES UNLESS OTHERWISE SPECIFIED:

0 PLC	±
1 PLC	±0.1
2 PLC	±0.01
3 PLC	±0.001
4 PLC	±0.0001
ANGLES	±
FINISH	-

MATERIAL: SEE NOTE

DWN	11APR2023
BASAVARAJA D A	
CHK	11APR2023
SELVAPANDIAN B	
APVD	11APR2023
MAYO BAKARE	
PRODUCT SPEC	RT-1113
APPLICATION SPEC	-
WEIGHT	-
CUSTOMER DRAWING	

TE TE Connectivity

NAME: THERMOFIT ES1000 TUBING
 POLYOLEFIN, SEMI-RIGID, ADHESIVE-LINED TUBING

SIZE	CAGE CODE	DRAWING NO	RESTRICTED TO
A3	-	ES1000	-

SCALE: NTS SHEET 1 OF 1 REV A