

THIS DRAWING AND THE INFORMATION SET FORTH HEREON ARE THE PROPERTY OF TYCO ELECTRONICS AND ARE TO BE HELD IN TRUST AND CONFIDENCE. PUBLICATION, DUPLICATION, DISCLOSURE, OR USE FOR ANY PURPOSE NOT EXPRESSLY AUTHORIZED IN WRITING BY TYCO ELECTRONICS IS PROHIBITED.

REVISIONS			
LTR	DESCRIPTION	DATE	APPROVED
A	RELEASED PER ECO-14-006482	05/07/14	NSWATKO

**APPLICATION**

-USED IN CONJUNCTION WITH FERRULES HET-A-0XX, TO BE ORDERED SEPARATELY.

**FERRULES**

HET-A-02X for small-size cable with SolderShield terminator

HET-A-03X for connection of unshielded cables ferrules with heat-shrinkable tubing (no shield)

HET-A-04X for large-size cables with SolderShield terminator

Type of plating:  
 B = Cadmium Plated olive drab to SAE-AMS-QQ-416,type II,class 3  
 C = Electroless Nickel to SAE-AMS-C-26074 class 3 grade A

HEX07-AX ferrule - solid blank for use when a HET-A is not needed

Type of plating:  
 B = Cadmium Plated olive drab to SAE-AMS-QQ-416,type II,class 3  
 C = Electroless Nickel to SAE-AMS-C-26074 class 3 grade A

**INSTALLATION**

-SEE INSTALLATION PROCEDURE RPIP-696-21.

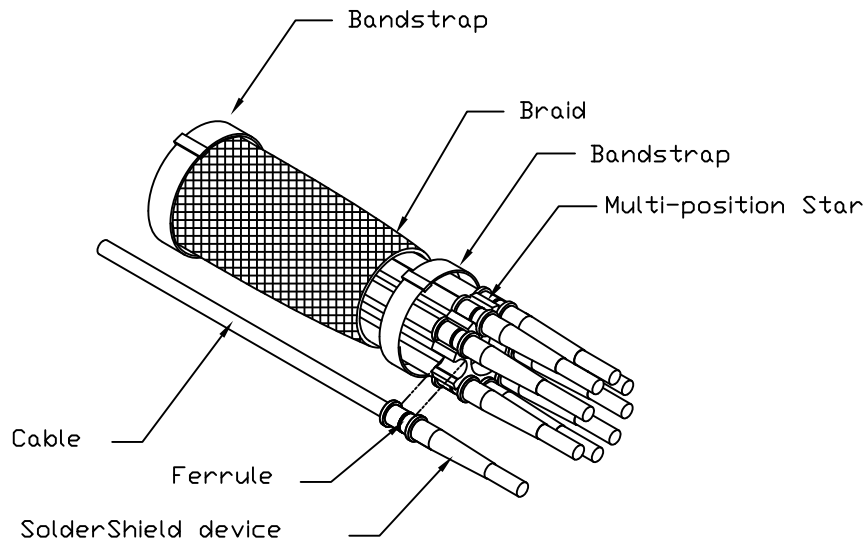
**PACKAGING**

-ALL COMPONENTS WILL BE SUPPLIED INSIDE A PLASTIC BAG.

-ALL BAGS PACKAGED IN A BOX

**KIT INCLUDES:**


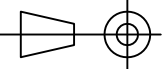
- 1 BRAID
- 1 MULTI-POSITION STAR
- 2 BAND STRAP P/N BND-1425S



If this document is printed it becomes uncontrolled. Check for the latest revision

©2014 Tyco Electronics Corporation. All rights reserved.

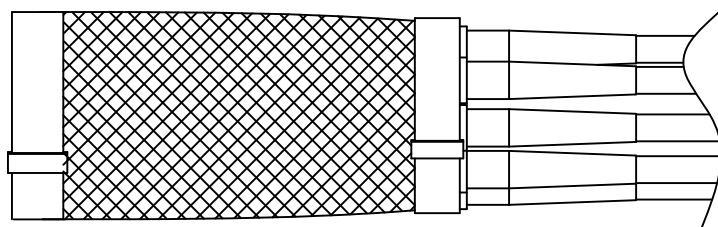
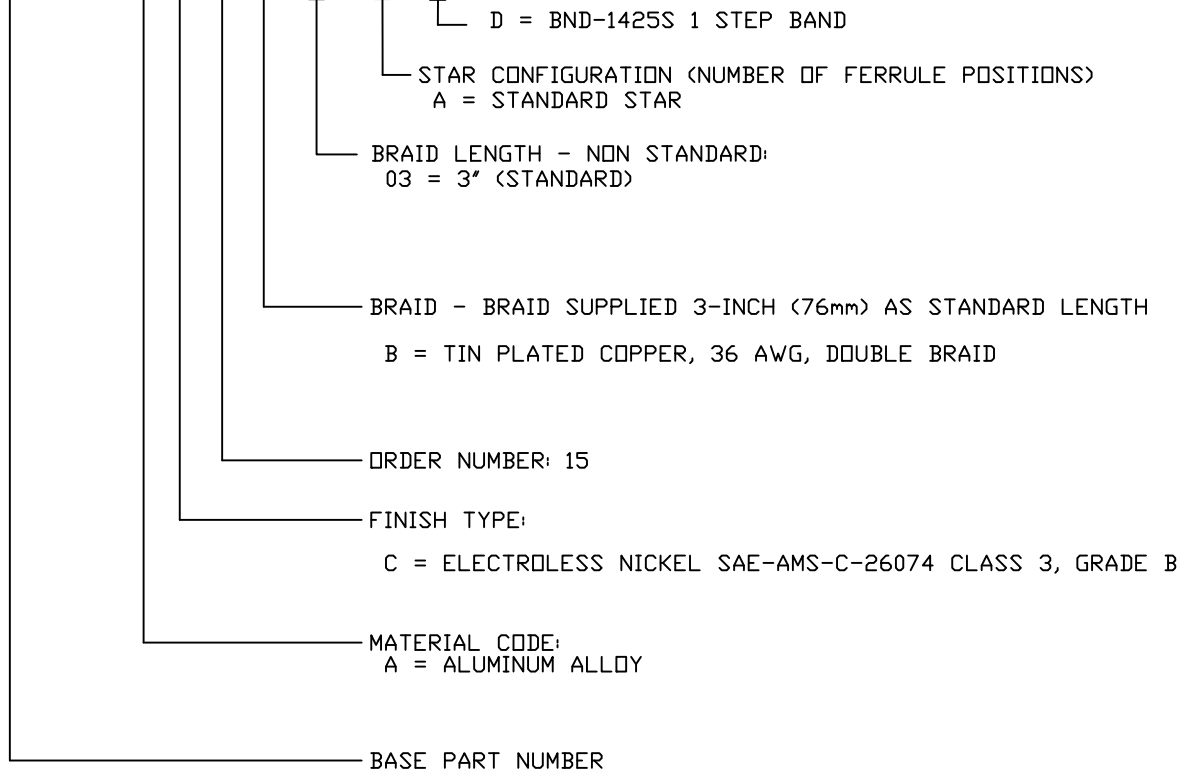
Raychem Adapters  
**CUSTOMER DRAWING**

UNLESS OTHERWISE SPECIFIED DIMENSIONS ARE IN INCHES. [METRIC DIMENSIONS ARE IN BRACKETS.]  DECIMALS .X ± [ mm] .XX ± [ mm] .XXX ± [ mm]  ANGLES .X ± -°	DESIGNED	N SWATKO	DATE	04/29/14		TE Connectivity					
	CHECKED	- I MYONG	DATE	04/29/14							
	APPROVED	I MYONG	DATE	04/29/14	TITLE FlexiScreen ASSEMBLY						
	APPROVED	-	DATE	-							
	CAD NAME					FLSKIT-CD.DWG					
THIRD ANGLE PROJECTION				SIZE	A	CODE IDENT. NO.	06090	DWG. NO.	FLSKIT-AC15B03-A-D	REV	A
DO NOT SCALE THIS DWG								SHEET 1 OF 2			

THIS DRAWING AND THE INFORMATION SET FORTH HERE-  
ON ARE THE PROPERTY OF TYCO ELECTRONICS  
AND ARE TO BE HELD IN TRUST AND CONFIDENCE. PU-  
BLICATION, DUPLICATION, DISCLOSURE, OR USE FOR ANY  
PURPOSE NOT EXPRESSLY AUTHORIZED IN WRITING BY  
TYCO ELECTRONICS IS PROHIBITED.

### PART NUMBERING SYSTEM

FLSKIT-A C 15 B 03-A-D



If this document is printed it becomes uncontrolled. Check for the latest revision

Raychem Adapters  
CUSTOMER DRAWING

SIZE	CODE IDENT. NO.	DWG. NO.	REV
A	06090	FLSKIT-AC15B03-A-D	A
DO NOT SCALE THIS DWG			SHEET 2 OF 2