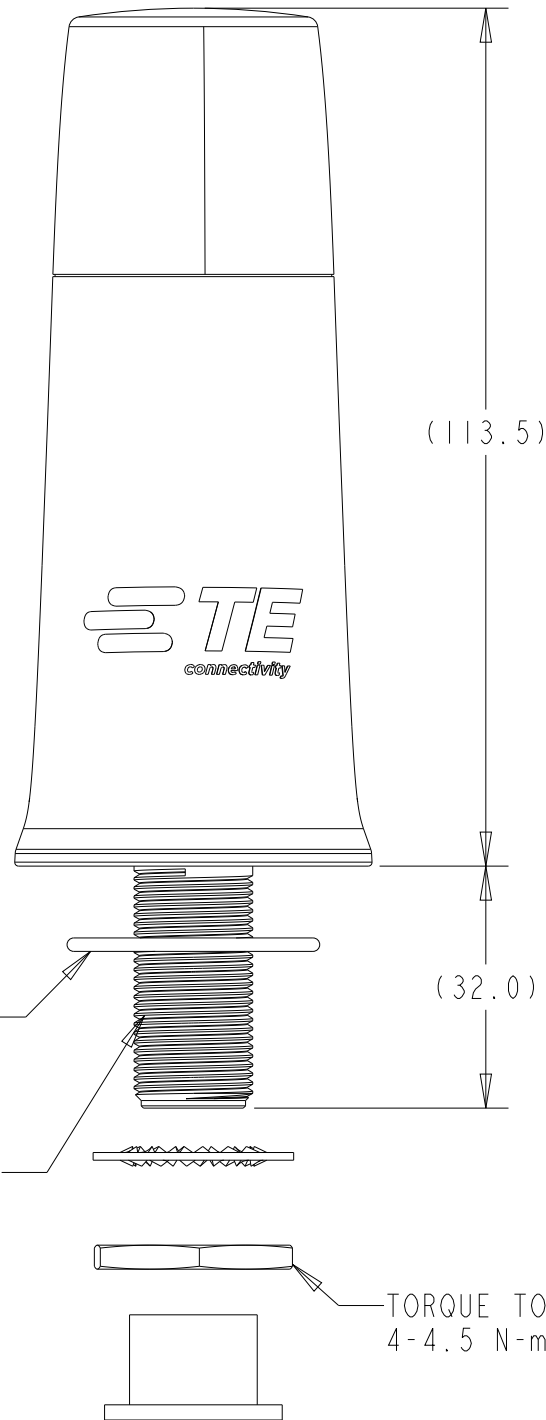
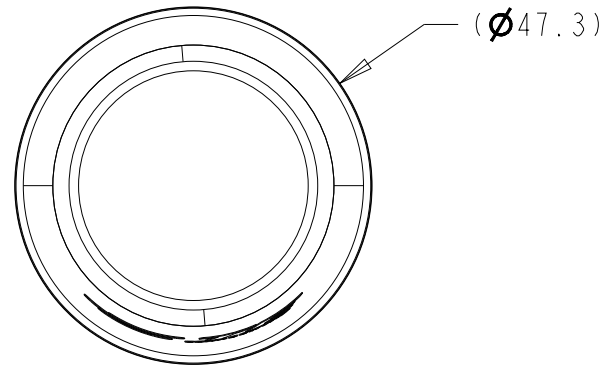


P	LTR	DESCRIPTION	DATE	DWN	APVD
	I	Initail Released	28OCT2022	TP	SJ
	A	ECN-22-184337	14NOV2022	TP	SJ
	AI	UPDATED OPS, STORAGE TEMP -55°C	15NOV2023	ERIC	W.T.



ENSURE BOTH O-RING ARE IN PLACE AT ASSEMBLY

5/8"-24 UNEF-2A THREAD

TORQUE TO 4-4.5 N-m

Parameter	Performance							
Part Number	FTRA6171M6PBN-001							
Frequency Bands, MHz	617-698	698-960	1427-1695	1695-2700	3300-4200	4400-6000	6000-6500	6500-7125
VSWR (Max)	2.5:1	2.0:1	2.0:1	2.0:1	2.5:1	3.5:1	3.5:1	3.5:1
Peak Gain (Ave), dBi	-0.2	0.6	1.6	3.3	6.1	7.5	7.9	8.6
Gain (Ave) at Theta 80° (10° above horizon), dBi	-1.8	-1.1	1.5	0.2	-3.9	-3.0	-8.2	-5.3
Total Efficiency (Ave), %	54	64	94	86	95	84	78	87
Nominal Impedance, ohm	50							
Polarization	Linear, Vertical							
Max Power (Ambient 25° C/77° F), watt	120	120	60	60	60	20	N/A	N/A
Azimuth Beamwidth, °	360 , Omnidirectional							
Weight, g	308.8							
Color	Black							
Housing	PC,UV Resistant,UL94 V-0							
Connector	N-Female							
Operating Temperature	-55° C ~ +85° C							
Storage Temperature	-55° C ~ +85° C							
RoHS Compliance	YES							
Ingression	IP67							

THIS DRAWING IS A CONTROLLED DOCUMENT.

DIMENSIONS: mm	TOLERANCES UNLESS OTHERWISE SPECIFIED:
	0 PLC ±-
	1 PLC ±0.1
	2 PLC ±0.01
	3 PLC ±0.001
	4 PLC ±0.0001
	ANGLES ±-
MATERIAL N/A	FINISH N/A

DWN TP CHEE 21OCT2022
 CHK CY HANG 21OCT2022
 APVD SJ 21OCT2022

PRODUCT SPEC -
 APPLICATION SPEC -
 WEIGHT 308.8g
 CUSTOMER DRAWING

PRELIMINARY

TE Connectivity

OMNI, PH, PMT, 617-7125MHz NGP, BLK, 6dBi

SIZE A3	CAGE CODE 00779	DRAWING NO. ©-FTRA6171M6PBN	RESTRICTED TO -
SCALE 1:2		SHEET 1 OF 1	REV AI