

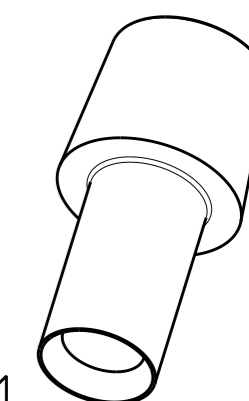
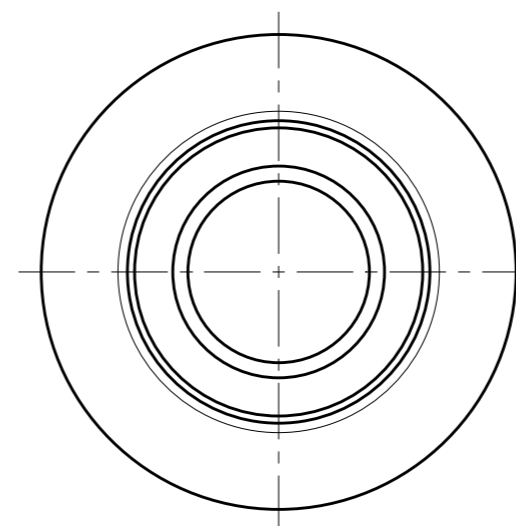
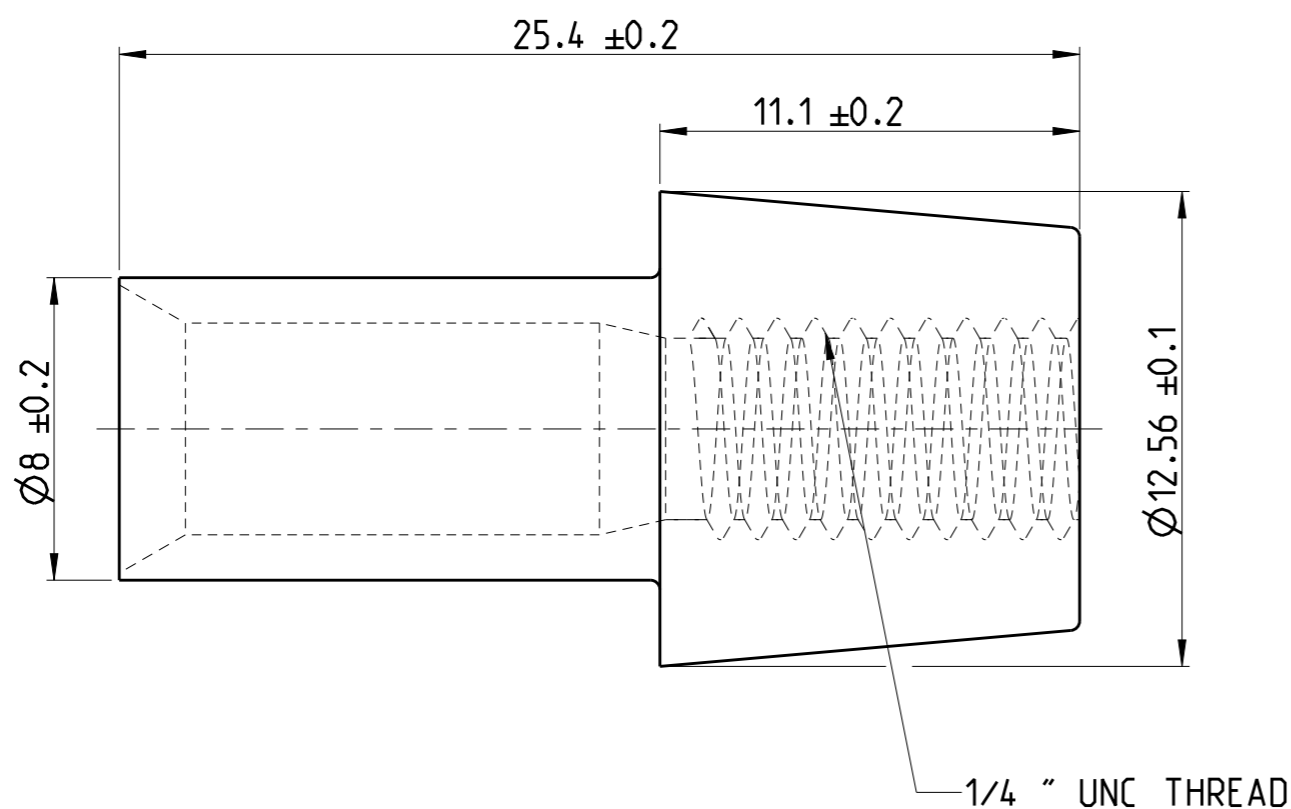
THIS DRAWING IS UNPUBLISHED
 RELEASED FOR PUBLICATION 2019
 © COPYRIGHT 2019 BY - TE CONNECTIVITY ALL RIGHTS RESERVED.

REVISIONS

P	LTR	DESCRIPTION	DATE	DWN	APVD
A		INITIAL RELEASE	03JAN2017	VNB	PV
A1		PCN: E-19-009313	13JUN2019	VNB	PV

NOTES:

- 1 USED WITH BOLT PN HC5881
- 2 HEXAGONAL CRIMP DIES USED TO SUIT 16mm² WIRE
- 3 PART TO BE EMBOSSED WITH 16-P (OPTIONAL)
- 4 REPLACES OLD DEUTSCH DRAWING D611720



SCALE 2:1

HC5728 ^{A1}	1	BRASS	-	BATTERY LEAD CONNECTOR 16 SQ mm +VE	A	1
TE ORDER NO.	QUANTITY	MAT.	COLOUR SURFACE	DESCRIPTION	REV.	ITEM
THIS DRAWING IS A CONTROLLED DOCUMENT.						
DIMENSIONS: mm		TOLERANCES UNLESS OTHERWISE SPECIFIED:				
		0 PLC ± 1 PLC ± 2 PLC ± 3 PLC ± 4 PLC ± ANGLES ±0.5°		NAME: BATTERY LEAD CONNECTOR 16 SQ mm +VE -		
MATERIAL: BRASS		FINISH: TIN PLATED		SIZE: A3	CAGE CODE: -	DRAWING NO: HC5728
CUSTOMER DRAWING				WEIGHT: 11g	RESTRICTED TO: -	
				SCALE: 5:1	SHEET: 1 OF 1	REV: A1