

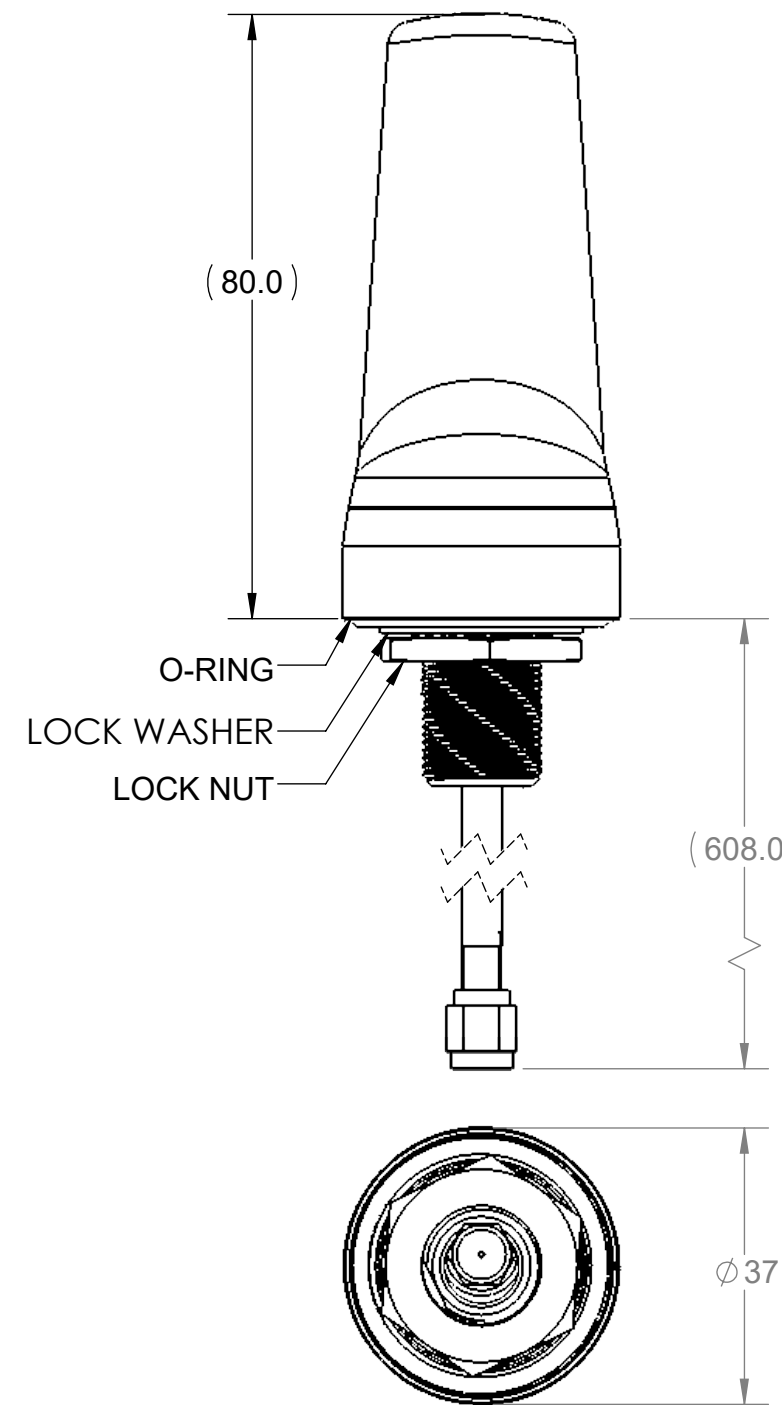
Note:


- (*) This parameters ground dependent and should serve as reference.
- Antenna specification is subjected to changes according to the ground plane.

REVISIONS					
REV.	ECN#	ZONE	DESCRIPTION	CHANGED BY/DATE	APPROVED BY/DATE
F01	ECO-18-00443		INITIAL RELEASED	TP CHEE 26MAR19	WT NG 26MAR19
F02	ECO-18-00443		TABLE UPDATED	TP CHEE 4APR19	WT NG 4APR19
F03	ECO-18-00443		TABLE REARRANGE	TP CHEE 9APR19	WT NG 9APR19

Parameter	Specification								
Model Number	HCF69273WN-60A								
Frequency Bands,MHz	698-824	824-894	880-960	1690-1880	1850-1990	1910-2180	2300-2500	2500-2700	
Peak Gain (*),dBi (Average)	1.0	1.2	1.0	2.8	3.1	3.3	3.3	3.4	
Peak Gain (*),dBi (Max)	1.5	1.2	1.2	3.3	3.4	3.6	3.5	3.8	
VSWR (*),Average	< 1.8	< 1.8	< 2.1	< 1.4	< 1.6	< 1.5	< 1.3	< 1.6	
VSWR (*),Max	<2.6			<2.0					
Ground Plane	2ft X 2ft GP for VSWR								
	1ft Diameter GP for Radiation Patten								
Nominal Impedance,Ohm	50								
Polarization	Vertical								
Max input Power (Ambient 25°C/77°F),Watts	10								
Cable& Length of Cable,mm	Ultralink 092463,608 (2ft)								
Connector	SMA MALE								
Antenna Dimension (Ht X Dia),mm	80 X 37								
DC Short	No								
Weight,g	100.5								
Antenna Color	White								
Radome	PC,Lexan EXL9330,UV Resistant,UL94 V-0								
Operating Temperature,°C	-30 ~ +70								
Storage Temperature,°C	-40 ~ +85								
Ingression Protection	IP67								
Installation Torque,Nm	4~6								
RoHS Compliance	Yes								

F03



MATERIAL: N/A		THIRD ANGLE PROJECTION		 IAS, PENANG MALAYSIA	
FINISH: N/A		DO NOT SCALE DRAWING			
APPROVALS		DATE		TITLE: MOUNTING & OUTLINE HCF69273WN-60A	
DRAWN BY	TP CHEE	14JAN19			
ELEC. ENG.	EC LEE	14JAN19			
MECH. ENG.	TP CHEE	14JAN19			
MFG./OPS.				SIZE: A3	
				DWG. NO. HCF69273WN-60AMO	
				REV F03	
				SCALE: 1:5 PREVIOUS# SHEET 1 OF 1	

UNLESS OTHERWISE NOTED, THIS DOCUMENT CONTAINS LAIRD CONFIDENTIAL INFORMATION. REPRODUCTION, USE, DISCLOSURE OR TRANSMITTAL OF ALL OR ANY PART OF THIS DOCUMENT IS PROHIBITED EXCEPT TO THE EXTENT APPROVED IN WRITING BY AN AUTHORIZED REPRESENTATIVE OF LAIRD. LAIRD RESERVES ALL RIGHTS UNDER PATENTS, TRADEMARKS, COPYRIGHTS AND TRADE SECRETS. COPYRIGHT, LAIRD 2017, ALL RIGHTS RESERVED.