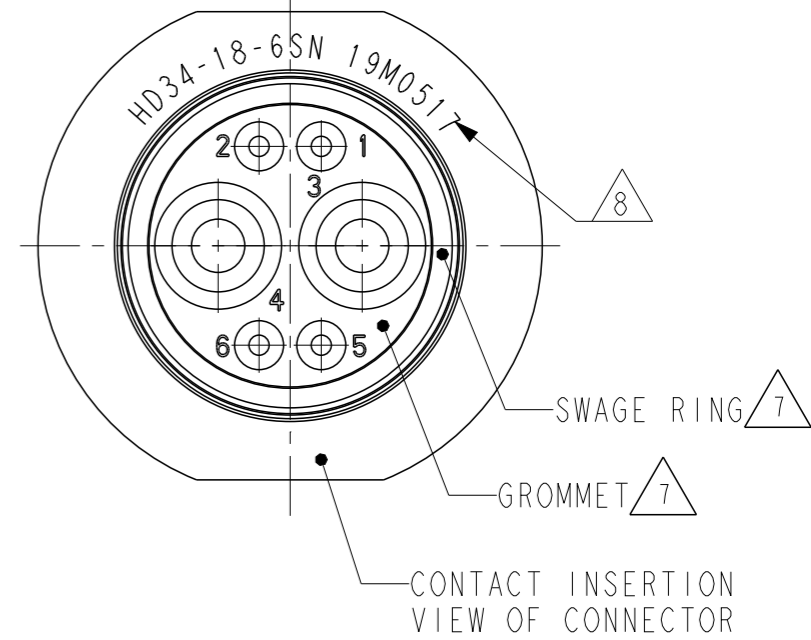
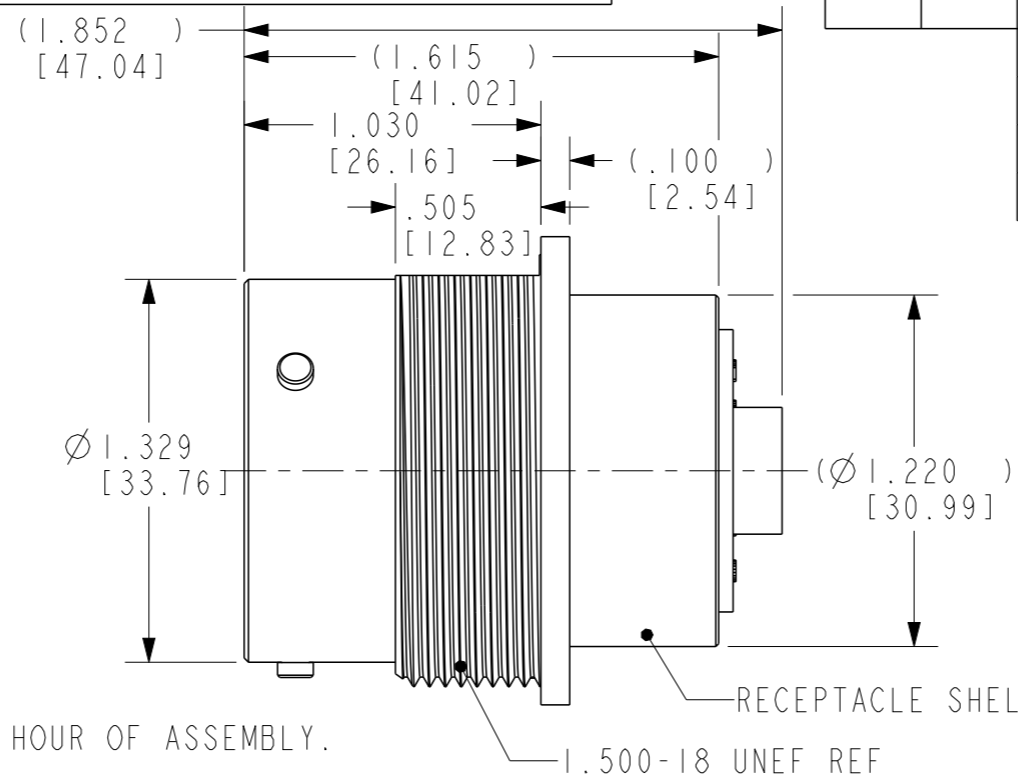
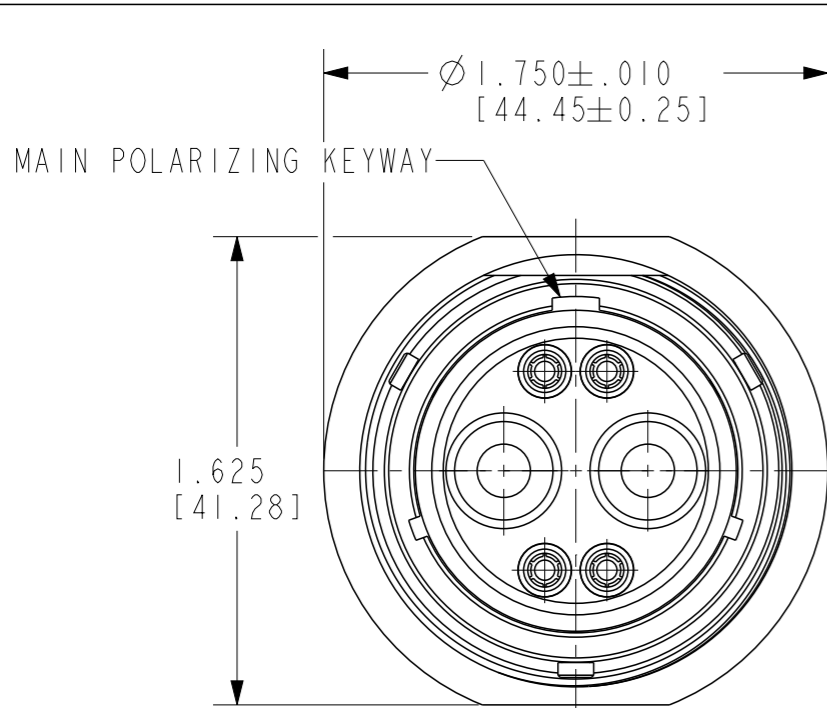


LOC	DIST	REVISIONS			
P	LTR	DESCRIPTION	DATE	DWN	APVD
-	-	NC	NEW RELEASE PER E.O. PI9718	21FEB2008	- RDR
-	-	A	REVISED PER ECO-15-001798	19MAR2015	VNB DM
-	-	A1	REVISED PER PCN E-20-000705	27JAN2020	PK DM
-	-	A2	REVISED PER PCN E-20-017587	10MAR2021	CO IG



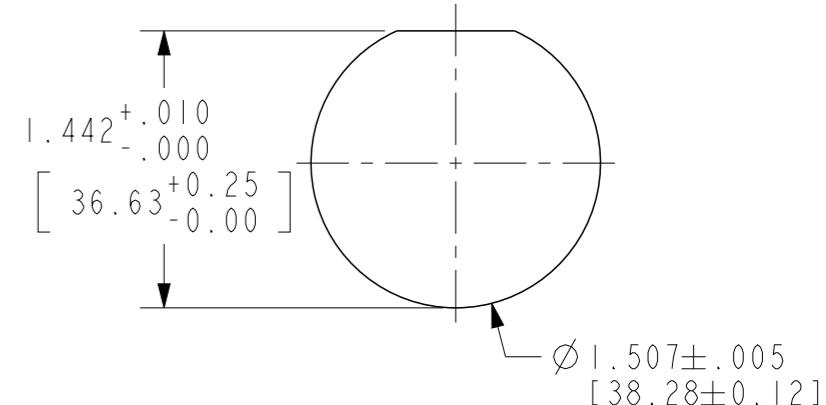
8 DATE CODE: IDENTIFIES THE YEAR, MONTH, DAY AND HOUR OF ASSEMBLY.
 YEAR: FIRST AND SECOND DIGITS. (14=2014)
 MONTH: THIRD DIGIT, EXCLUDING I.A=JAN., B=FEB., C=MARCH... (K=OCT.)
 DAY: FOURTH AND FIFTH DIGITS (14=14th DAY)
 HOUR: SIXTH AND SEVENTH DIGITS (11=11AM)

7 MATERIAL:
 RECEPTACLE HOUSING: 6061-T6 ALUMINIUM ALLOY
 SWAGE RING: PA 15%GF (GREEN FOR N-SEAL, BLUE FOR E-SEAL)
 GROMMET: SILICONE VMQ (RED)

5 WHEN X = N: NORMAL SEAL WHEN X = E: REDUCED DIAMETER E-SEAL.

- 4. THIS PART MATES WITH PART NO. HD36-18-6PX-XXXX.
XXXX= ALL MODIFICATIONS, X= TYPE OF SEAL.
- 3. RECOMMENDED PANEL THICKNESS: .062 [1.58] TO .1875 [4.76].
- 2. THIS CONNECTOR WILL ACCOMODATE THE FOLLOWING WIRE INSULATION DIAMETERS:


5 SEAL TYPE	CONTACT SIZE	MIN INSULATION O.D.	MAX INSULATION O.D.	6 WIRE GAUGE AWG [mm ²] RANGE
N	16	.100 [2.54]	.134 [3.40]	14-20 [2.0-0.5mm ²]
E	16	.053 [1.35]	.120 [3.05]	14-20 [2.0-0.5mm ²]
N or E	4	.261 [6.63]	.292 [7.42]	6 [13mm ²]



RECOMMENDED PANEL MOUNTING HOLE

1. CONSULT FACTORY FOR ELECTRICAL AND MATERIAL SPECIFICATIONS.

NOTES:

THIS DRAWING IS A CONTROLLED DOCUMENT.		DWN 02 JAN 2008 I. GRANTCHAROVA		 TE Connectivity	
DIMENSIONS: INCHES [mm]		CHK 18 FEB 2008 B. BAYFORD			
TOLERANCES UNLESS OTHERWISE SPECIFIED:		APVD 14 FEB 2008 S. BEARD		NAME RECEPTACLE CONNECTOR 18-6 ARR. BAYONET COUPLING	
0 PLC ±-		PRODUCT SPEC 108-151014		SIZE A3	
1 PLC ±-		APPLICATION SPEC 114-151014		CAGE CODE -	
2 PLC ±-		WEIGHT 50g		DRAWING NO C=HD34-18-6SX	
3 PLC ±-.010 [±.254]		Customer Drawing		RESTRICTED TO -	
4 PLC ±-		SCALE NONE		SHEET 1 OF 1	
ANGLES ±° 30' 0"		REV A2			
FINISH -					