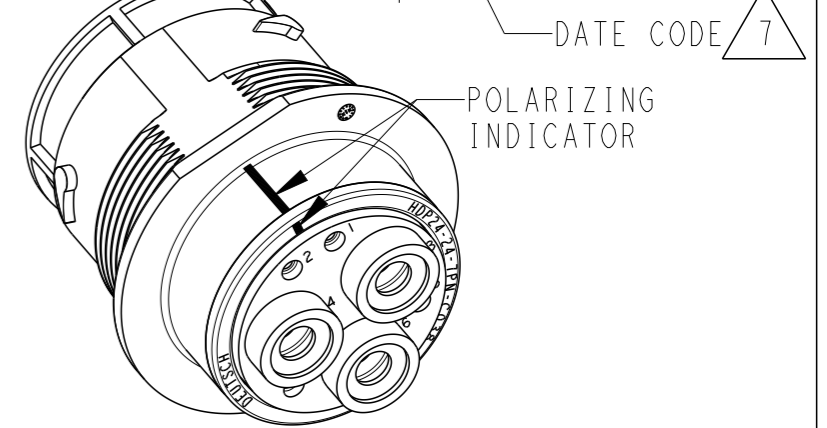
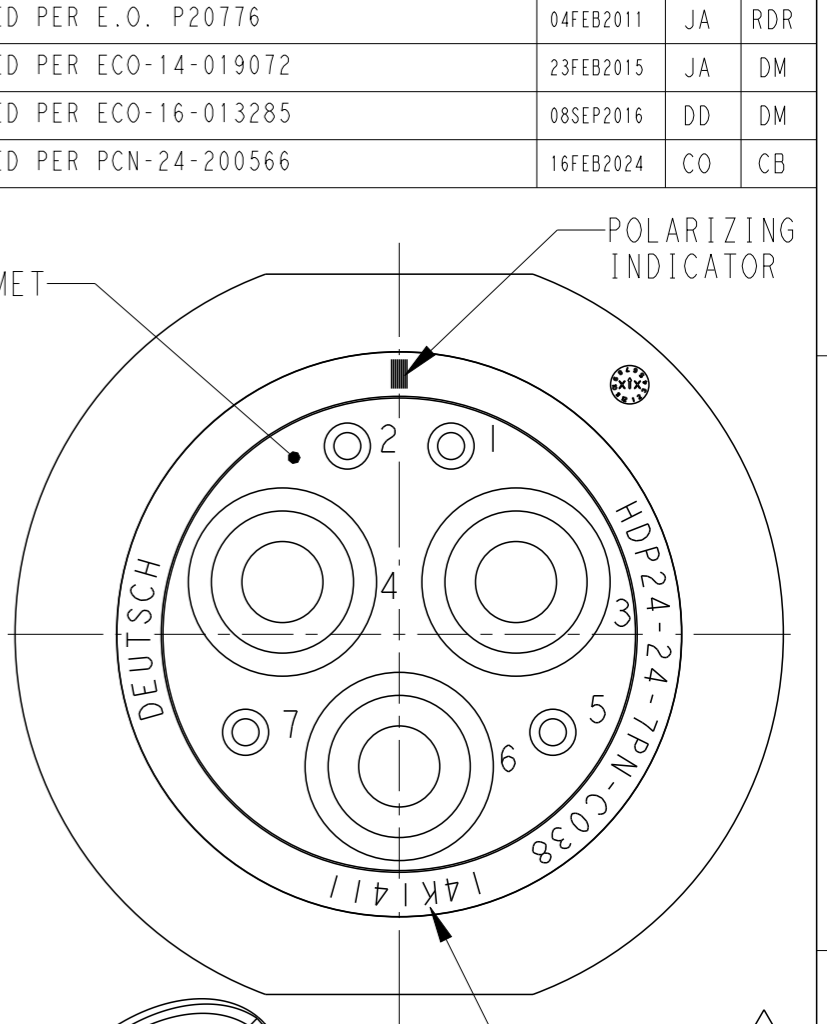
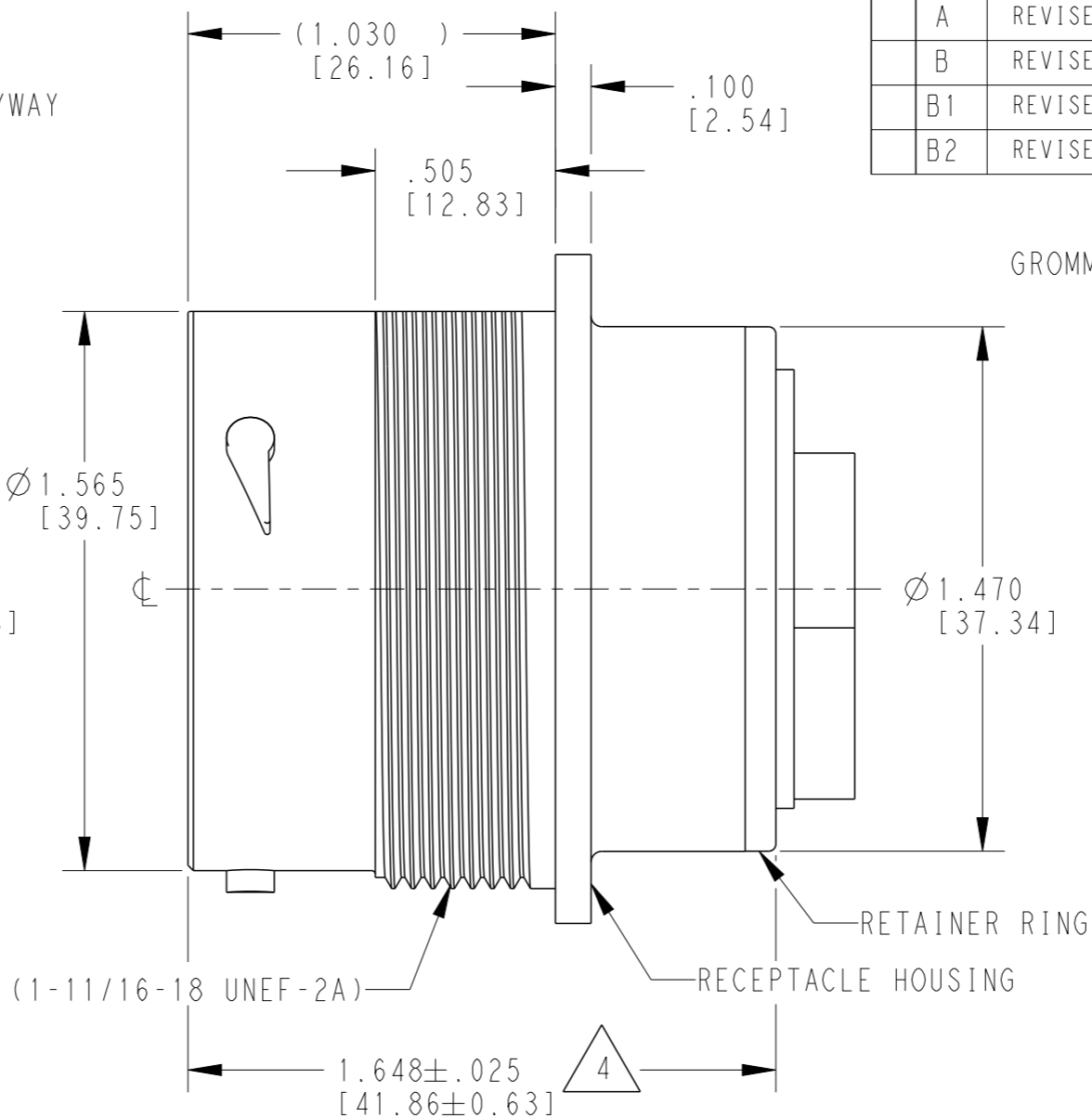
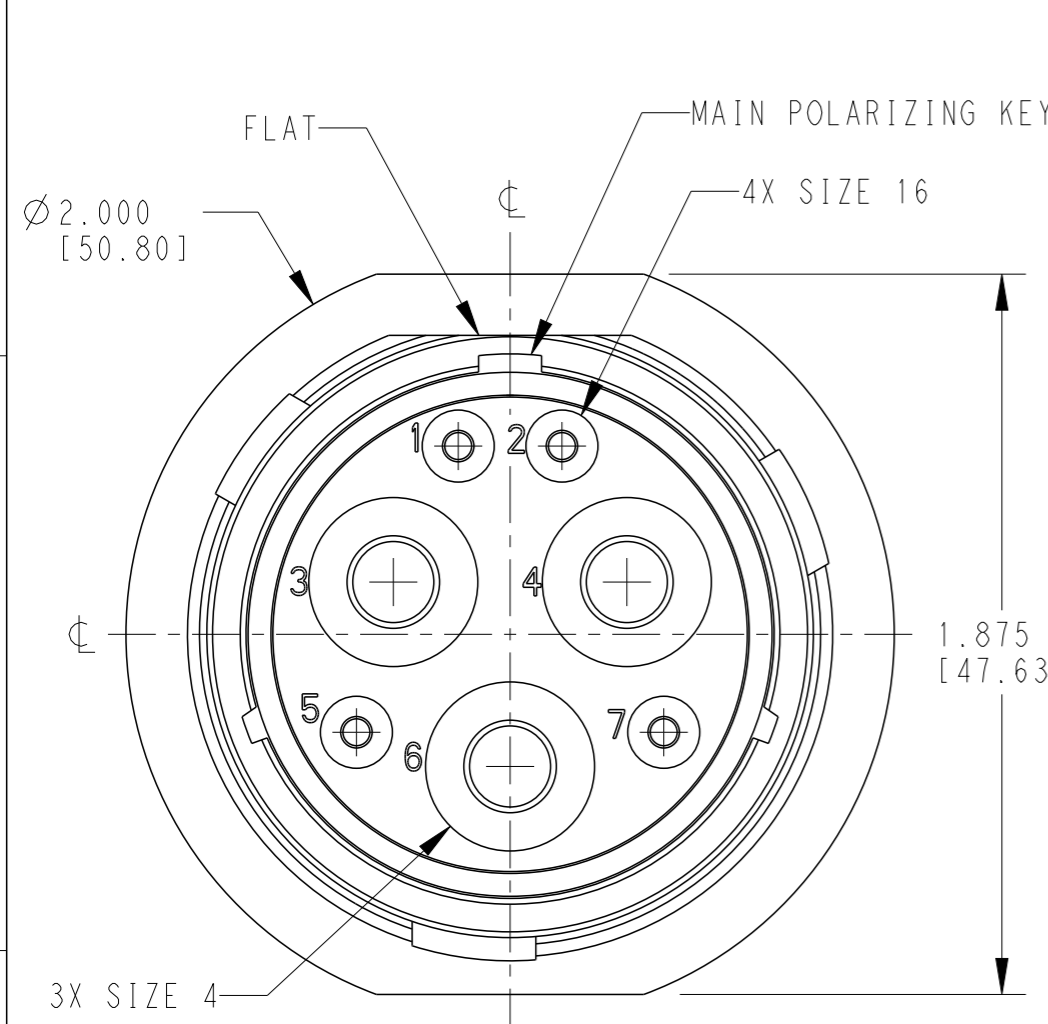


LOC		DIST		REVISIONS			
P	LTR	DESCRIPTION	DATE	DWN	APVD		
	A	REVISED PER E.O. P20776	04FEB2011	JA	RDR		
	B	REVISED PER ECO-14-019072	23FEB2015	JA	DM		
	B1	REVISED PER ECO-16-013285	08SEP2016	DD	DM		
	B2	REVISED PER PCN-24-200566	16FEB2024	CO	CB		



SCALE 1:1

TE INTERNAL PN	DEUTSCH PN
HDP24-24-7PN-C038	HDP24-24-7PN-C038

6. PART MODIFICATION:  
 3 SIZE 4: 4 AWG [21.0-25.0 mm<sup>2</sup>] AND 4 SIZE 16.

5. RECEPTACLE IS SUPPLIED WITH DUST CAP (2415-001-2405). 7 DATE CODE: IDENTIFIES THE YEAR, MONTH, DAY AND HOUR OF ASSEMBLY.

4 NOTED DIMENSION DOES NOT INCLUDE GROMMET PROTRUSION.

3 MATERIAL: RECEPTACLE HOUSING: PA66 GF10 (BLACK)  
 RETAINER RING: PA66 GF10 (GREEN, GRAY, BLUE)  
 GROMMET: SILICONE (ORANGE-RED)

2 SEE 0425-021-0000 APPLICATION SPECIFICATION  
 A. RECOMMENDED WIRE INSULATION RANGE  
 B. CONTACT REMOVAL TOOLS  
 C. RECOMMENDED MOUNTING HOLE & PANEL THICKNESS  
 D. MOUNTING HARDWARE & MOUNTING TORQUE.

1. THIS RECEPTACLE MATES WITH HDP26-24-7SX-XXXX PLUG  
 X = SEAL TYPE (N,T,E)  
 XXXX = MODIFICATION

NOTES:

THIS DRAWING IS A CONTROLLED DOCUMENT.		DWN 01APR2010 ILINA GRANICHAROVA	TE Connectivity													
DIMENSIONS: INCHES [mm]		CHK 21JUL2010 JAIME C. APOSTOL														
TOLERANCES UNLESS OTHERWISE SPECIFIED:		APVD 12JUL2010 STEVE BEARD	NAME RECEPTACLE, THREADED SIZE 24, -C038 MOD HDP SERIES													
<table border="0"> <tr> <td>0 PLC</td><td>±</td></tr> <tr> <td>1 PLC</td><td>±</td></tr> <tr> <td>2 PLC</td><td>±</td></tr> <tr> <td>3 PLC</td><td>±.015 [0.38]</td></tr> <tr> <td>4 PLC</td><td>±</td></tr> <tr> <td>ANGLES</td><td>±0°30'0"</td></tr> </table>		0 PLC	±	1 PLC	±	2 PLC	±	3 PLC	±.015 [0.38]	4 PLC	±	ANGLES	±0°30'0"	PRODUCT SPEC 0425-021-0000	SIZE A3	CAGE CODE 4AFU8
0 PLC	±															
1 PLC	±															
2 PLC	±															
3 PLC	±.015 [0.38]															
4 PLC	±															
ANGLES	±0°30'0"															
MATERIAL <span style="border: 1px solid black; padding: 2px;">3</span>	FINISH N/A	APPLICATION SPEC <span style="border: 1px solid black; padding: 2px;">2</span>	DRAWING NO. HDP24-24-7PN-C038	RESTRICTED TO -												
		WEIGHT 48.28g	SCALE 2:1	SHEET 1 OF 1												
		Customer Drawing	REV B2													