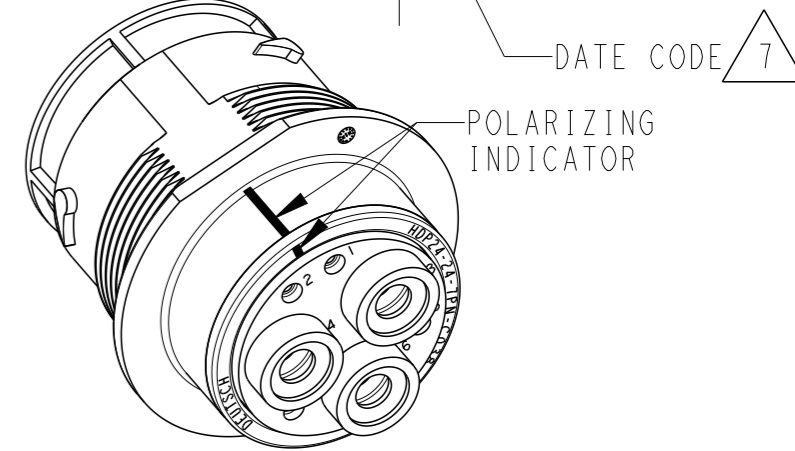
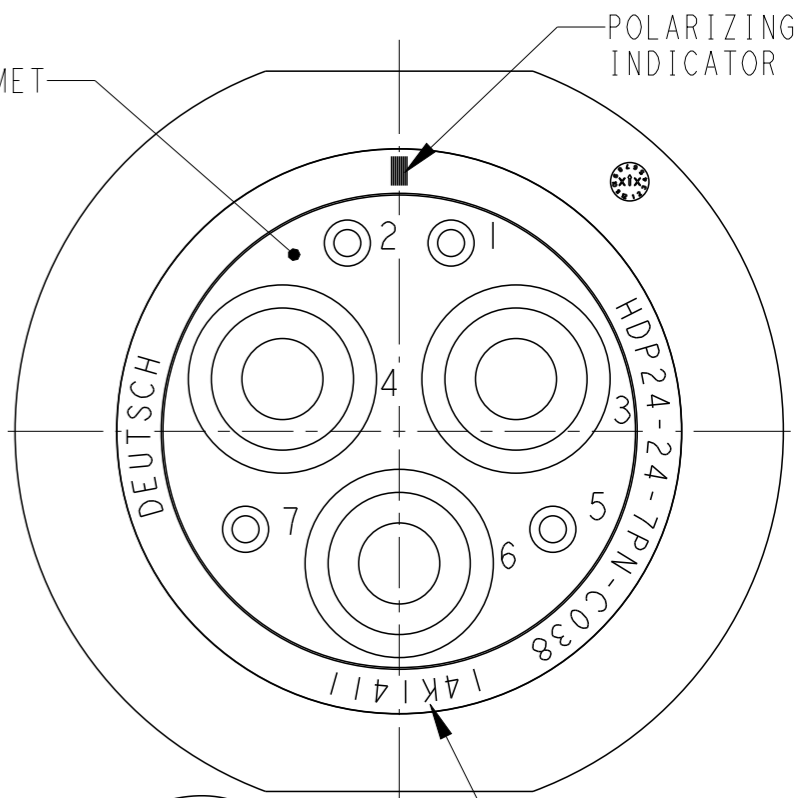
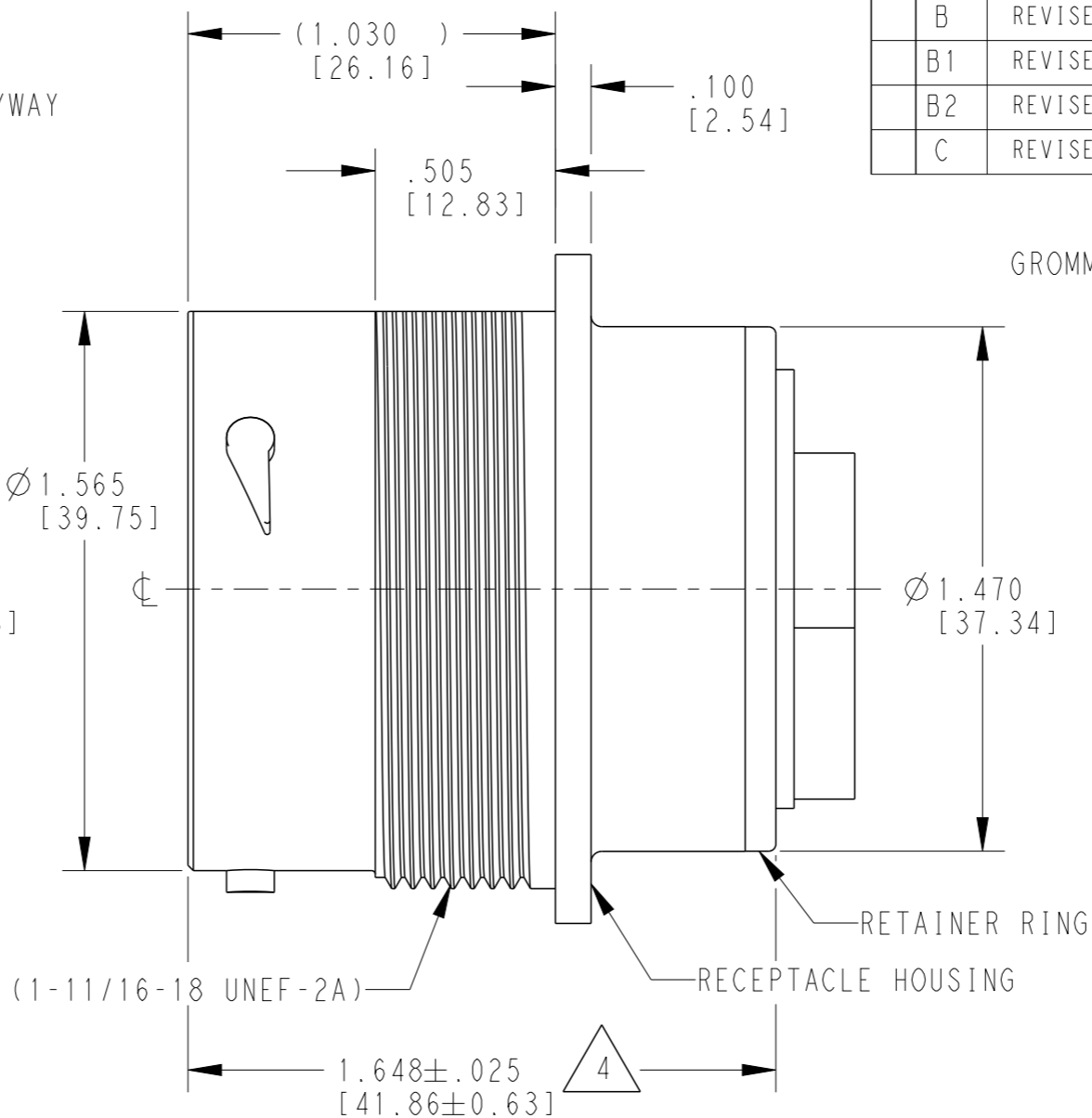
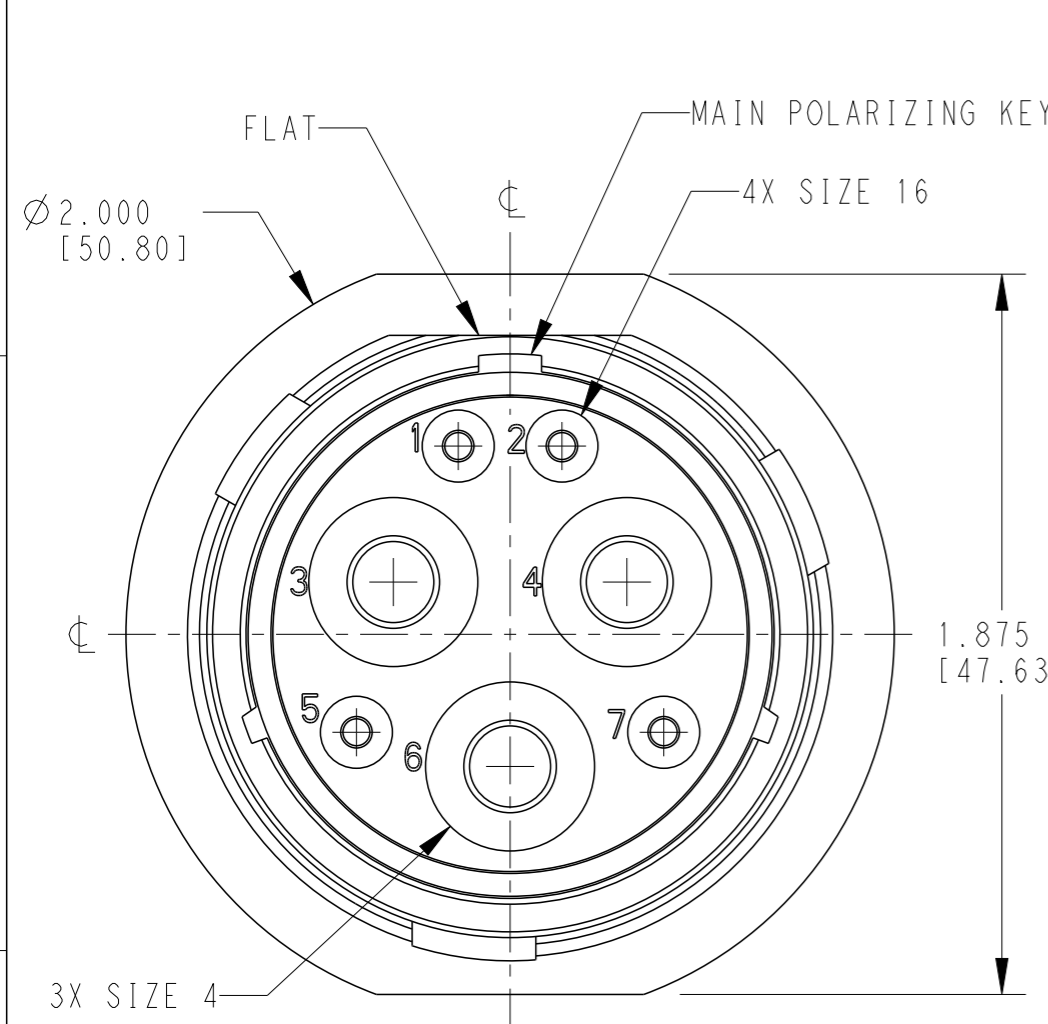


LOC		DIST		REVISIONS		
P	LTR	DESCRIPTION	DATE	DWN	APVD	
	B	REVISED PER ECO-14-019072	23FEB2015	JA	DM	
	B1	REVISED PER ECO-16-013285	08SEP2016	DD	DM	
	B2	REVISED PER PCN-24-200566	16FEB2024	CO	CB	
	C	REVISED PER PCN-24-219306	29AUG2024	CO	CB	



6. PART MODIFICATION:  
 3 SIZE 4: 4 AWG [21.0-25.0 mm<sup>2</sup>] AND 4 SIZE 16.

5. RECEPTACLE IS SUPPLIED WITH DUST CAP (2415-001-2405). 7 DATE CODE: IDENTIFIES THE YEAR, MONTH, DAY AND HOUR OF ASSEMBLY.

4 NOTED DIMENSION DOES NOT INCLUDE GROMMET PROTRUSION.

3 MATERIAL: RECEPTACLE HOUSING: PA66 GF10 (BLACK)  
 RETAINER RING: PA66 GF10 (BLACK)  
 GROMMET: SILICONE (GREEN, BLUE, GRAY)

2 SEE 0425-021-0000 APPLICATION SPECIFICATION  
 A. RECOMMENDED WIRE INSULATION RANGE  
 B. CONTACT REMOVAL TOOLS  
 C. RECOMMENDED MOUNTING HOLE & PANEL THICKNESS  
 D. MOUNTING HARDWARE & MOUNTING TORQUE.

1. THIS RECEPTACLE MATES WITH HDP26-24-7SX-XXXX PLUG  
 X = SEAL TYPE (N,T,E)  
 XXXX = MODIFICATION

NOTES:

7 DATE CODE: IDENTIFIES THE YEAR, MONTH, DAY AND HOUR OF ASSEMBLY.  
 YEAR: FIRST AND SECOND DIGITS. (14 = 2014)  
 MONTH: THRID DIGIT, EXCLUDING I. A = JAN., B = FEB., C = MARCH... (K = OCTOBER)  
 DAY: FOURTH AND FIFTH DIGITS (14 = 14th DAY)  
 HOUR: SIXTH AND SEVENTH DIGITS (11 = 11AM)

TE INTERNAL PN	DEUTSCH PN
HDP24-24-7PN-C038	HDP24-24-7PN-C038

THIS DRAWING IS A CONTROLLED DOCUMENT.		DWN 01APR2010 ILINA GRANICHAROVA	TE Connectivity													
DIMENSIONS: INCHES [mm]		CHK 21JUL2010 JAIME C. APOSTOL														
TOLERANCES UNLESS OTHERWISE SPECIFIED:		APVD 12JUL2010 STEVE BEARD	NAME RECEPTACLE, THREADED SIZE 24, -C038 MOD HDP SERIES													
<table border="0"> <tr> <td>0 PLC</td><td>±</td></tr> <tr> <td>1 PLC</td><td>±</td></tr> <tr> <td>2 PLC</td><td>±</td></tr> <tr> <td>3 PLC</td><td>±.015 [0.38]</td></tr> <tr> <td>4 PLC</td><td>±</td></tr> <tr> <td>ANGLES</td><td>±0°30'0"</td></tr> </table>		0 PLC	±	1 PLC	±	2 PLC	±	3 PLC	±.015 [0.38]	4 PLC	±	ANGLES	±0°30'0"	PRODUCT SPEC 0425-021-0000	SIZE A3	
0 PLC	±															
1 PLC	±															
2 PLC	±															
3 PLC	±.015 [0.38]															
4 PLC	±															
ANGLES	±0°30'0"															
MATERIAL <span style="border: 1px solid black; padding: 2px;">3</span>		APPLICATION SPEC <span style="border: 1px solid black; padding: 2px;">2</span>	CAGE CODE 4AFU8	DRAWING NO HDP24-24-7PN-C038												
FINISH N/A		WEIGHT 48.28g	RESTRICTED TO -													
		Customer Drawing	SCALE 2:1	SHEET 1 OF 1 REV C												