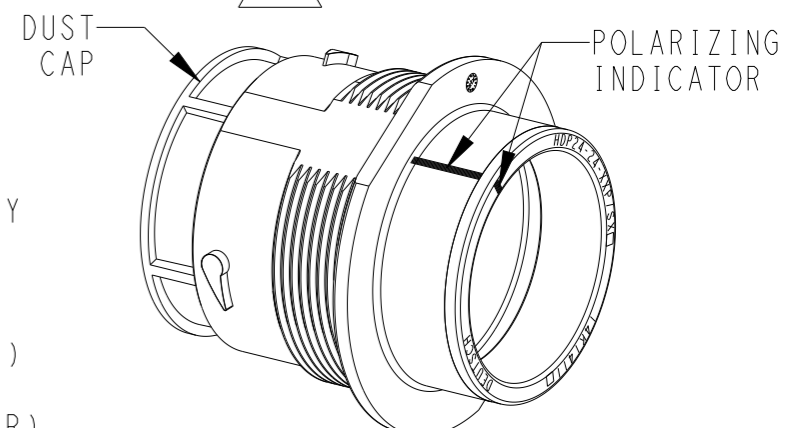
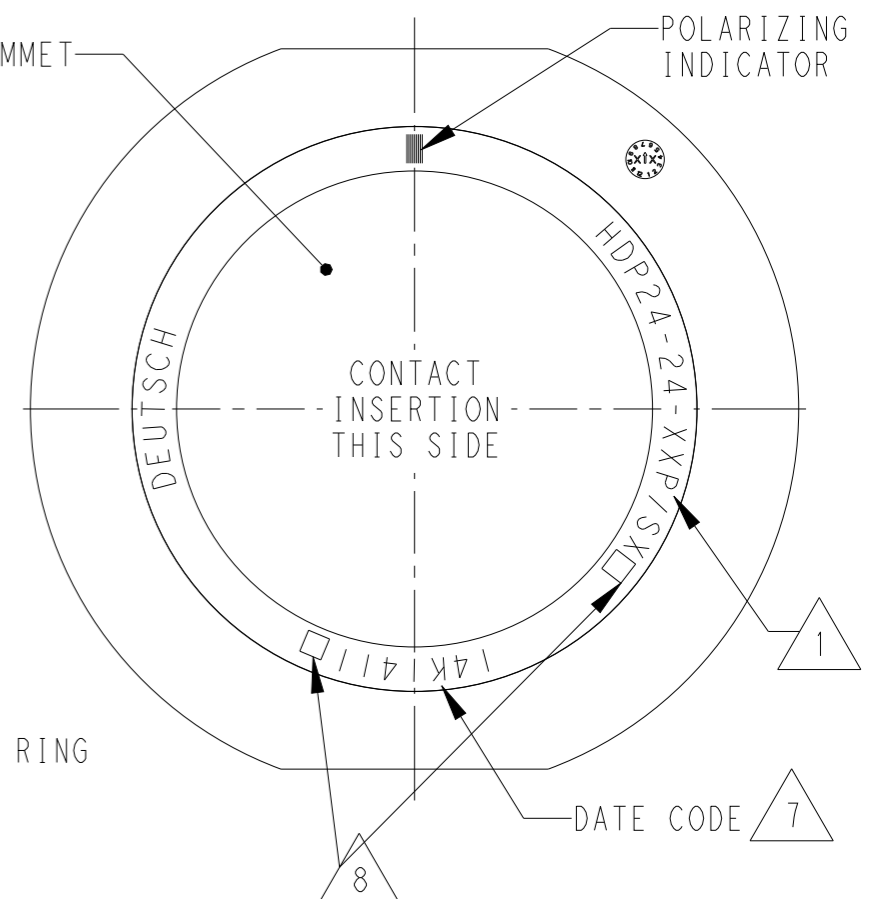
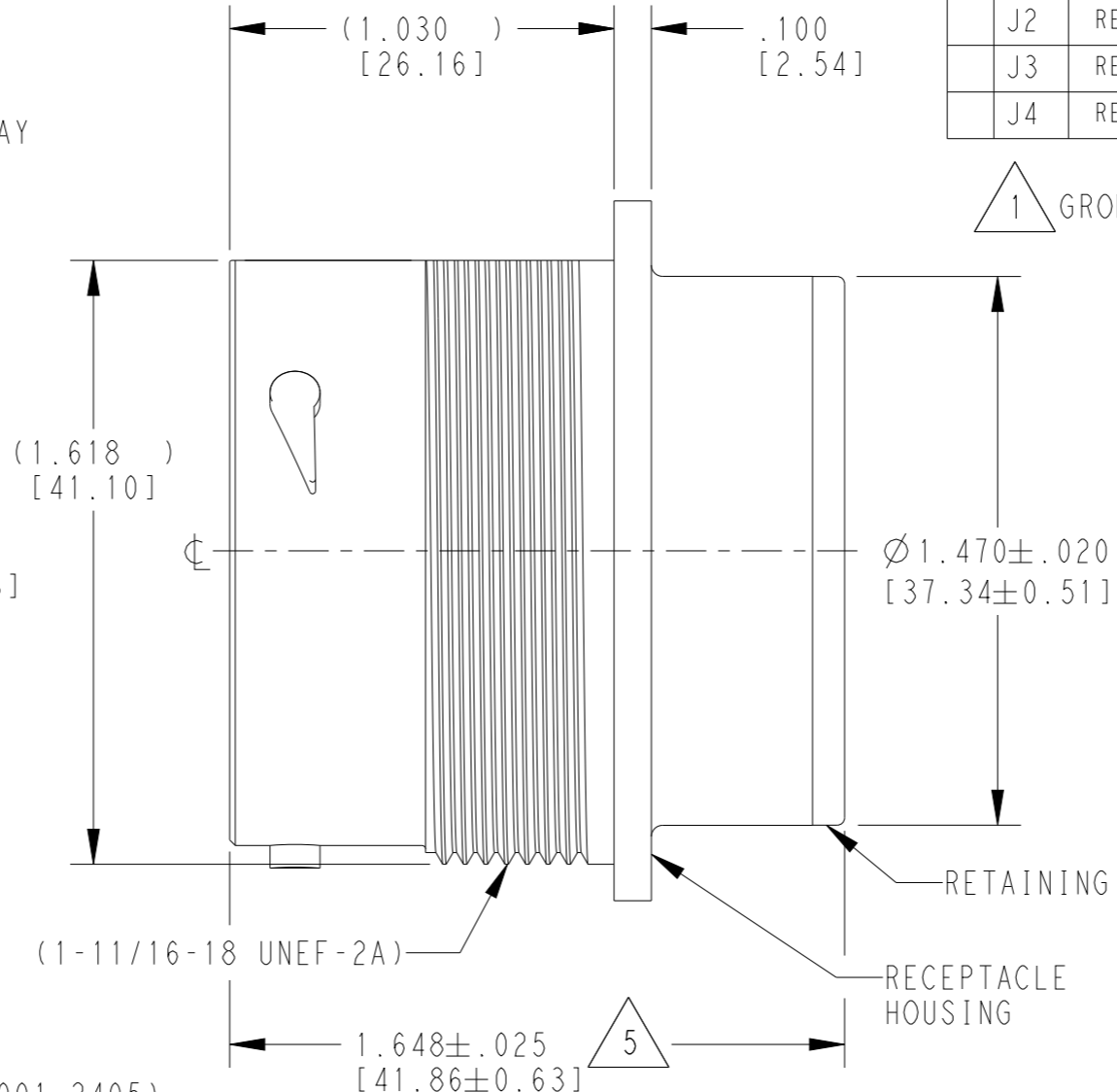
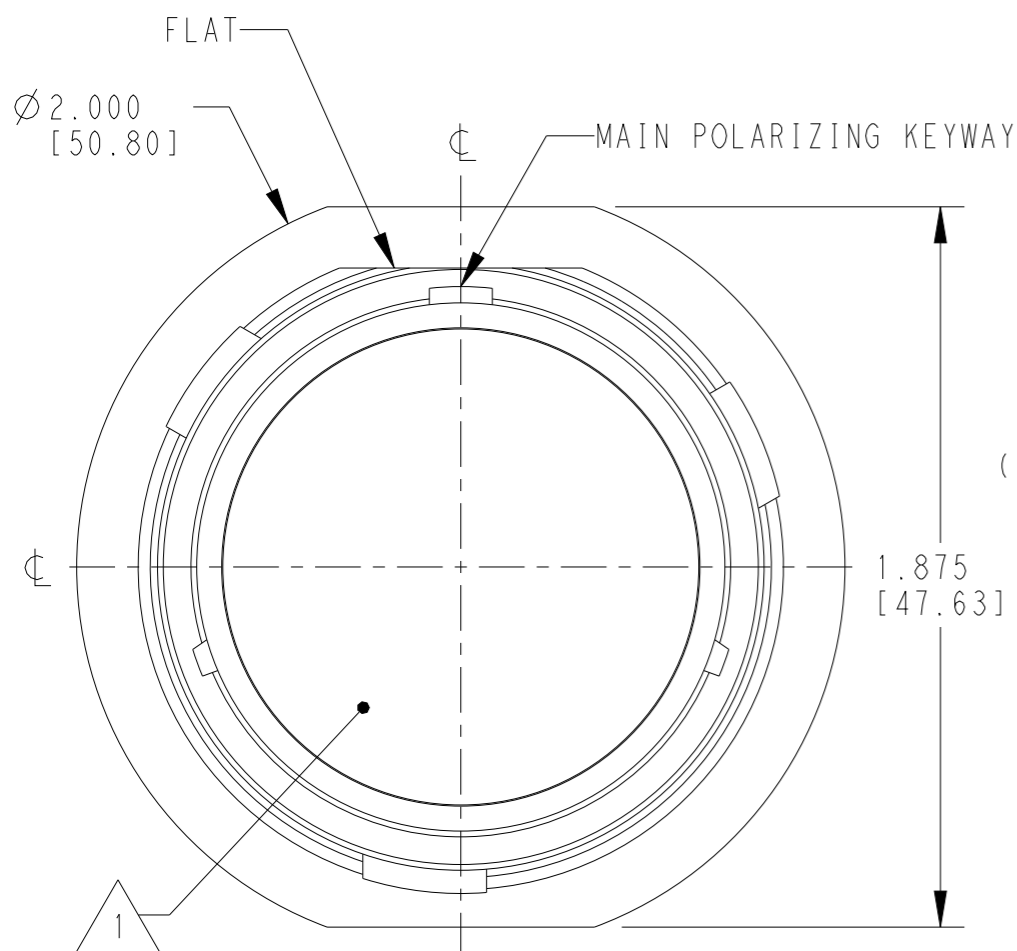


LOC	DIST	REVISIONS			
P	LTR	DESCRIPTION	DATE	DWN	APVD
		J1	REVISED PER PCN E-16-012386	01MAR2017	DD DM
		J2	REVISED PER PCN E-18-015727	03OCT2018	JA DM
		J3	REVISED PER PCN-24-200566	19FEB2024	CO CB
		J4	REVISED PER PCN-24-213773	02JUL2024	HD CB



SCALE 1:1

6. RECEPTACLE IS SUPPLIED WITH DUST CAP (2415-001-2405).

5 NOTED DIMENSION DOES NOT INCLUDE GROMMET PROTRUSION.

4 MATERIAL: RECEPTACLE HOUSING: PA66 GF10 (BLACK)
 RETAINER RING: PA66 GF10 (GREEN, GRAY, BLUE)
 GROMMET: SILICONE (ORANGE-RED)

3 SEE 0425-021-0000 APPLICATION SPECIFICATION
 A. RECOMMENDED WIRE INSULATION RANGE
 B. CONTACT REMOVAL TOOLS
 C. RECOMMENDED MOUNTING HOLE & PANEL THICKNESS
 D. MOUNTING HARDWARE & MOUNTING TORQUE.

2. THIS RECEPTACLE MATES WITH HDP26-24-XXP/SX-XXXX PLUG
 X = SEAL TYPE (N,T,E)
 XX = INSERT ARRANGEMENT
 XXXX = MODIFICATION

1 SEE CUSTOMER DRAWING, 0425-014-2400 FOR AVAILABLE INSERT ARRANGEMENTS AND PART NUMBERS.

8 LOCATIONS FOR TRACEABILITY WITNESS MARKS ONLY
 7 DATE CODE: IDENTIFIES THE YEAR, MONTH, DAY AND HOUR OF ASSEMBLY.
 YEAR: FIRST AND SECOND DIGITS. (14 = 2014)
 MONTH: THRID DIGIT, EXCLUDING I. A = JAN., B = FEB., C = MARCH... (K = OCTOBER)
 DAY: FOURTH AND FIFTH DIGITS (14 = 14th DAY)
 HOUR: SIXTH AND SEVENTH DIGITS (11 = 11AM)

NOTES:

THIS DRAWING IS A CONTROLLED DOCUMENT.		DWN	03MAR2000		TE Connectivity
		CHK	04FEB2004		
		APVD	16JAN2004		
		PRODUCT SPEC	STEVE BEARD		
DIMENSIONS: INCHES [mm]		TOLERANCES UNLESS OTHERWISE SPECIFIED:		NAME	
		0 PLC ±		RECEPTACLE, THREADED	
		1 PLC ±		SIZE 24	
		2 PLC ±		HDP SERIES	
		3 PLC ±.015 [0.38]		SIZE	
		4 PLC ±		CAGE CODE	
		ANGLES ±		DRAWING NO	
		FINISH N/A		RESTRICTED TO	
MATERIAL		WEIGHT		A3	
		Customer Drawing		4AFU8	
		SCALE 2:1		SHEET 1 OF 1	
		REV J4			