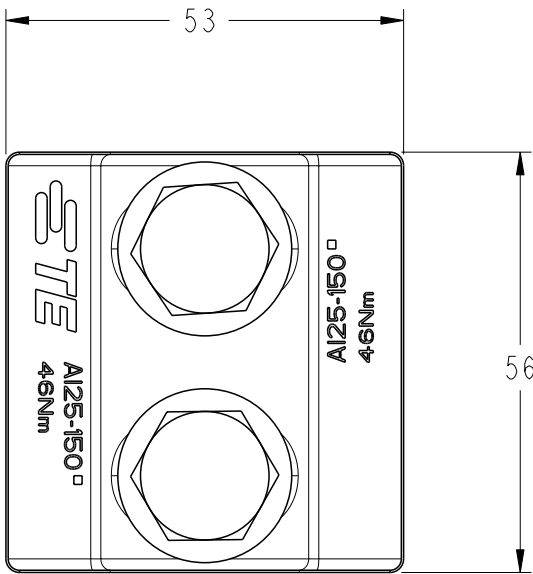
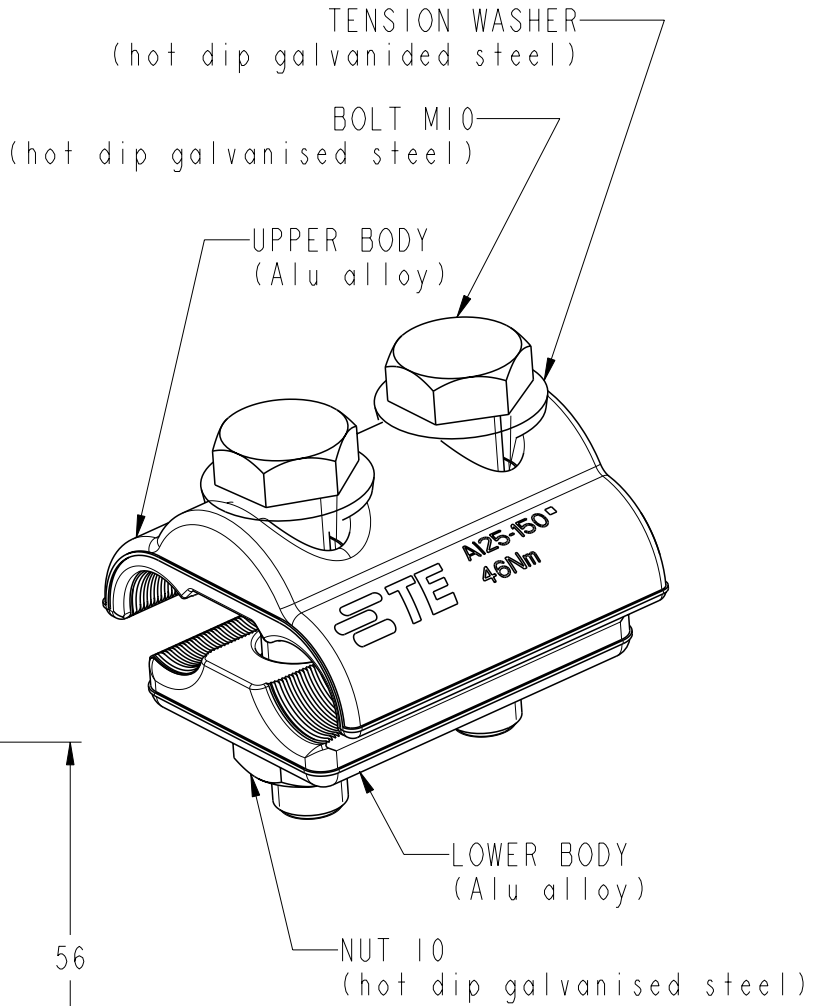
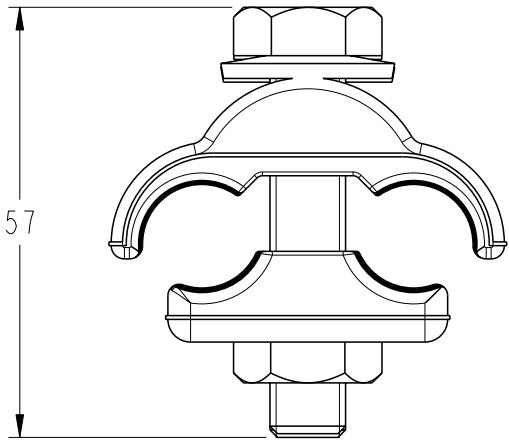


REVISIONS					
P	LTR REV	DESCRIPTION MODIFICATIONS	DATE	DWN DESS.	APVD APP.
	A	CREATION	16JUN2023	-	-



LIBRE A LA DIFFUSION

TOUS DROITS RESERVES.

DEFUSION RESTREINTE. All Rights Reserved.

HEL-3932	250760-000
DESCRIPTION	PART NUMBER

Capacities: 25-150mm² AL
 Tightening Torque: 46Nm

DIMENSIONS: mm		DWN/DESSINE BERLAND	01JUN2023	MATERIAL MATIERE	-	FINISH FINITION	-			
 TOLERANCES UNLESS OTHERWISE SPECIFIED: TOLERANCES NON SPECIFIEES (SUIV NB DE DECIMALES): 0 PLC/DEC: ±0 1 PLC/DEC: ±0 2 PLC/DEC: ±0 3 PLC/DEC: ±0 4 PLC/DEC: ±0 ANGLES ±- 		CHK/VERIFIE	-	TE Connectivity						
		APVD/APPROUVE NEDELLEC	-							
		PRODUCT SPEC/SPEC. PRODUIT	-	NAME TITRE	HEL-3932					
		APPLICATION SPEC	-	SIZE FORMAT	A4	CAGE CODE	-	DRAWING NO No PLAN	C=HEL-3932	RESTRICTED TO RESERVE A
WEIGHT MASSE APPROX.		-	CUSTOMER DRAWING /PLAN CLIENT		SCALE ECHELLE	1:1	SHEET FEUILLE	OF DE	REV	A