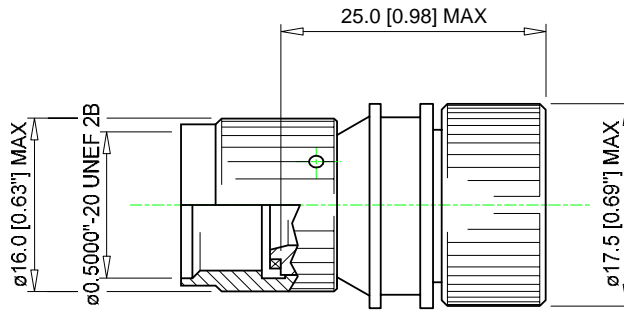


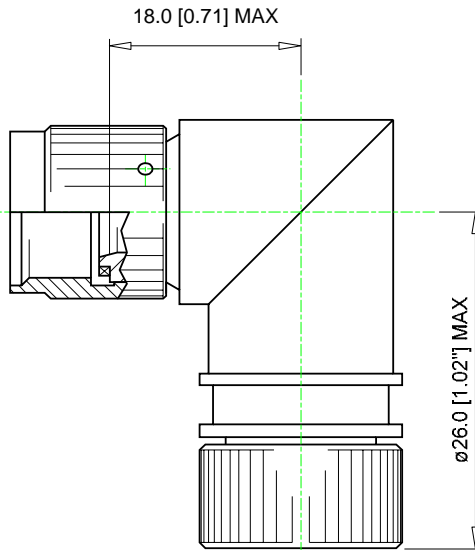
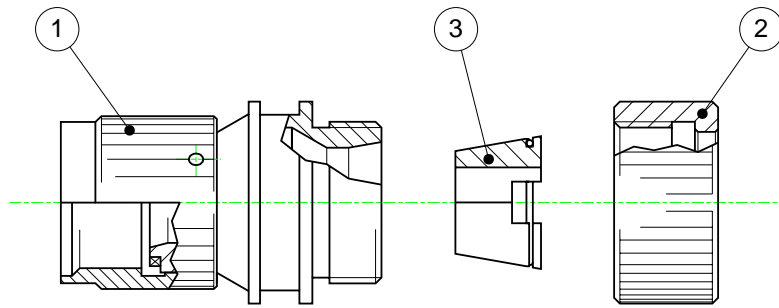
# SPECIFICATION CONTROL DRAWING

REV:  
A

DATE:  
OCT 18, 2006



**STRAIGHT ADAPTOR**  
-00



**90° ADAPTOR**  
-90

©2006 Tyco Electronics Corporation. All rights reserved.

**tyco**  
Electronics

**Raychem**

Tyco Electronics Corporation  
300 Constitution Drive  
Menlo Park, CA 94025, USA

TITLE:

**HEXASHIELD ADAPTORS FOR  
CODE 54 CONNECTOR SS 08,  
PLAIN CLAMPING NUT**

UNLESS OTHERWISE SPECIFIED  
DIMENSIONS ARE IN MILLIMETERS.  
INCH DIMENSIONS ARE SHOWN IN  
BRACKETS

Tyco Electronics reserves the right to amend this drawing at  
any time. Users should evaluate the suitability of the  
product for their application.

DOCUMENT NO.

**HEX54-KC-YY-09-A1-1**

DRAWN:  
IRT

DATE:  
DEC 05

CAGE CODE:  
06090

DCR #  
D060335

FILE:  
87003/54-1KC

SCALE:  
NONE

SHEET:  
1 OF 3

If this document is printed it becomes uncontrolled. Check for the latest revision.

# SPECIFICATION CONTROL DRAWING

REV:  
A

DATE:  
OCT 18, 2006

## KIT DESCRIPTION

ITEM	DESCRIPTION	MATERIAL
1	BODY ASSEMBLY	STAINLESS STEEL
2	CLAMPING NUT - PLAIN	STAINLESS STEEL
3	CONIC RING	STAINLESS STEEL

## PART NUMBERING

HEX54 - K C - 00 - 09 - A1 - 1

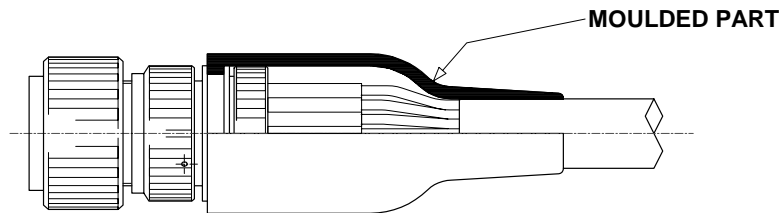
- CONNECTOR CODE NUMBER \_\_\_\_\_  
HEX54 = SEE APPLICATION
- MATERIAL CODE: \_\_\_\_\_  
K = STAINLESS STEEL
- PLATING CODE: \_\_\_\_\_  
C = ELECTROLESS NICKEL TO SAE-AMS-C-26074
- BODY STYLE \_\_\_\_\_  
00 = STRAIGHT  
90 = 90°
- ORDER NUMBER \_\_\_\_\_
- FERRULE QUANTITY CODE \_\_\_\_\_
- 1 = PLAIN CLAMPING NUT \_\_\_\_\_

## APPLICATION

- These adaptors are designed to be mounted on the following connectors:

MIL-C-26482 Series II	)	
MIL-C-83723 Series I and III	)	Shell Size 08
MIL-C-5015	)	
HE312	)	

- They are qualified to the Raychem specification RB-114, when installed on metallic Mil-Specification circular connectors only.
- They are designed primarily for open wire bundle installation but are also designed to accept Raychem heat shrink moulded parts where strain relief is required – see illustration.



- Use in conjunction with ferrules HET-A-0XX, which are purchased separately. Refer to HET-A-0XX S.C.D. for relevant selection details.

©2006 Tyco Electronics Corporation. All rights reserved.

				TITLE: <b>HEXASHIELD ADAPTORS FOR                  CODE 54 CONNECTOR SS 08,                  PLAIN CLAMPING NUT</b>		
UNLESS OTHERWISE SPECIFIED DIMENSIONS ARE IN MILLIMETERS. INCH DIMENSIONS ARE SHOWN IN BRACKETS		Tyco Electronics reserves the right to amend this drawing at any time. Users should evaluate the suitability of the product for their application.		DOCUMENT NO. <b>HEX54-KC-YY-09-A1-1</b>		
DRAWN:	DATE:	CAGE CODE:	DCR #	FILE:	SCALE:	SHEET:
IRT	DEC 05	06090	D060335	87003/54-1KC	NONE	2 OF 3

If this document is printed it becomes uncontrolled. Check for the latest revision.

# SPECIFICATION CONTROL DRAWING

REV:  
A

DATE:  
OCT 18, 2006

## INSTALLATION

- See Installation Procedure RPIP-696-04 for straight adapters.
- See Installation Procedure RPIP-696-07 for 90° adapters.
- See Installation Procedure RPIP-696-00 for shield termination.

## PACKAGING

- All components are supplied in a plastic bag.

## NOTES!

1. Assembly is to be permanently marked with Code Identity Number and Part Number.  
(e.g. 06090 HEX54-KC-00-09-A1-1)

©2006 Tyco Electronics Corporation. All rights reserved.

<b>tyco</b> <i>Electronics</i>		<b>Raychem</b> Tyco Electronics Corporation 300 Constitution Drive Menlo Park, CA 94025, USA		TITLE: <b>HEXASHIELD ADAPTORS FOR CODE 54 CONNECTOR SS 08, PLAIN CLAMPING NUT</b>		
UNLESS OTHERWISE SPECIFIED DIMENSIONS ARE IN MILLIMETERS. INCH DIMENSIONS ARE SHOWN IN BRACKETS		Tyco Electronics reserves the right to amend this drawing at any time. Users should evaluate the suitability of the product for their application.		DOCUMENT NO. <b>HEX54-KC-YY-09-A1-1</b>		
DRAWN: IRT	DATE: DEC 05	CAGE CODE: 06090	DCR # D060335	FILE: 87003/54-1KC	SCALE: NONE	SHEET: 3 OF 3

If this document is printed it becomes uncontrolled. Check for the latest revision.