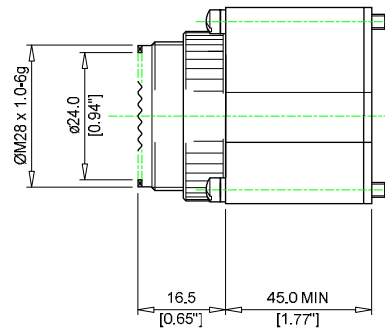
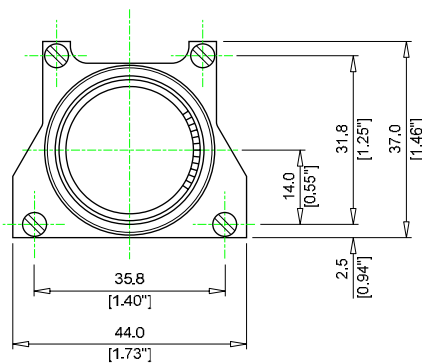
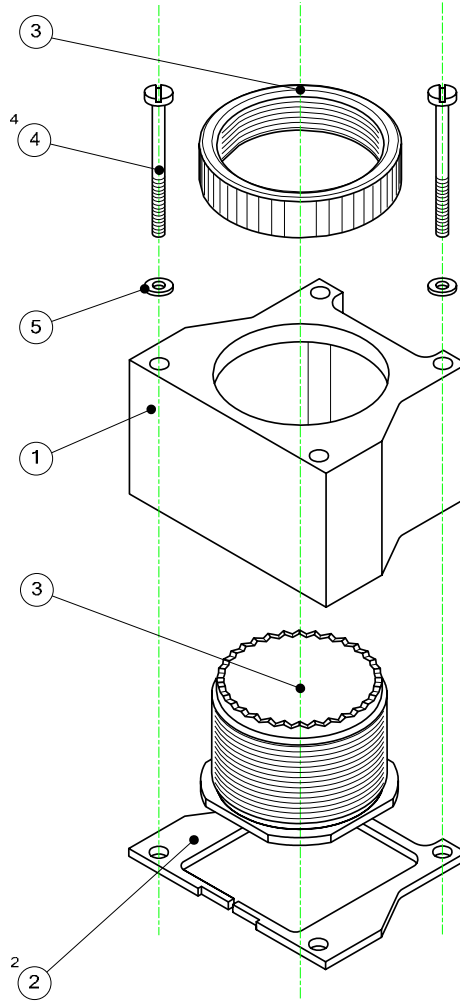


CUSTOMER DRAWING


REV:
A

DATE:
SEPT 4, 2008



TOLERANCES
1 FIG = ±0.25 [0.010"]

© 2008 Tyco Electronics Corporation. All rights reserved.

| | | | | | | |
|--|--|------------------------------------|---|-------------------------------|--|--|
|  | Raychem Adaptors | | TITLE: HEXASHIELD ADAPTOR FOR ARINC 600 SIZE 02 - CAVITY C SIZE 19 OUTLET | | | |
| | 300 Constitution Drive Menlo Park, Ca 94025 USA | | DOCUMENT NO. HEXA6-AY-00-02-19-103 | | | |
| <small>UNLESS OTHERWISE SPECIFIED DIMENSIONS ARE IN MILLIMETERS. INCH DIMENSIONS ARE SHOWN IN BRACKETS</small> | | | <small>Tyco Electronics reserves the right to amend this drawing at any time. Users should evaluate the suitability of the product for their application.</small> | | <small>FILE NAME:</small> HEXA6-AY-00-02-19-103cd | |
| <small>DRAWN:</small> IRT | <small>DATE:</small> MAR 2007 | <small>CAGE CODE:</small> 06090 | <small>ECO NUMBER:</small> 08-022120 | <small>SCALE:</small> NONE | <small>SHEET:</small> 1 OF 2 | |

If this document is printed it becomes uncontrolled. Check for the latest.

CUSTOMER DRAWING

REV:
A

DATE:
SEPT 4, 2008

KIT DESCRIPTION

| ITEM | QTY | DESCRIPTION | MATERIAL |
|------|-----|---------------------------------------|------------------------------|
| 1 | 1 | HOUSING | ALUMINIUM ALLOY |
| 2 | 2 | RETENTION BARS | ALUMINIUM ALLOY |
| 3 | 1 | BODY ASSEMBLY – 19 | |
| | | BODY | ALUMINIUM ALLOY |
| | | HOLDING NUT | ALUMINIUM ALLOY |
| 4 | 4 | PAN HEAD SCREW - 4-40 UNC x 2.0" LONG | STAINLESS STEEL - PASSIVATED |
| 5 | 4 | SPRING WASHER | STAINLESS STEEL - PASSIVATED |

PART NUMBERING

HEXA6 - A B - 00 - 02 - 19 - 103

- CONNECTOR CODE NUMBER _____
HEXA6 = ARINC 600 CONNECTOR
- MATERIAL CODE: _____
ALUMINIUM ALLOY
- PLATING CODE: _____
B = CADMIUM OLIVE DRAB TO SAE-AMS-QQ-P-416
C = ELECTROLESS NICKEL TO SAE-AMS-MIL-C-26074
- OUTLET STYLE _____
00 = STRAIGHT
- ORDER NUMBER _____
02 = SIZE 2 (CAVITY C)
- ORDER NUMBER (FOR MATING ACCESSORY) _____
- ASSEMBLY SPECIFIC ORDER NUMBER _____

APPLICATION

- This adaptor assembly is designed to be mounted on the following connectors:

ARINC 600 Plug, Shell Size 2 – Cavity C

PACKAGING

- All assemblies are supplied boxed and labelled.

NOTES!

1. Assembly is to be permanently marked with Code Identity Number and Part Number.
(e.g. 06090 HEXA6-AB-00-02-19-103)

© 2008 Tyco Electronics Corporation. All rights reserved.

| | | | | | | |
|---|--|--|---|---------------------------------------|----------------|------------------|
| | Raychem Adaptors | | TITLE: HEXASHIELD ADAPTOR FOR ARINC 600 SIZE 02 - CAVITY C SIZE 19 OUTLET | | | |
| | 300 Constitution Drive Menlo Park, Ca 94025 USA | | DOCUMENT NO. HEXA6-AY-00-02-19-103 | | | |
| UNLESS OTHERWISE SPECIFIED DIMENSIONS ARE IN MILLIMETERS. INCH DIMENSIONS ARE SHOWN IN BRACKETS | | Tyco Electronics reserves the right to amend this drawing at any time. Users should evaluate the suitability of the product for their application. | | FILE NAME: HEXA6-AY-00-02-19-103cd | SCALE: NONE | SHEET: 2 OF 2 |
| DRAWN: IRT | DATE: MAR 2007 | CAGE CODE: 06090 | ECO NUMBER: 08-022120 | | | |

If this document is printed it becomes uncontrolled. Check for the latest.