

THIS DRAWING IS UNPUBLISHED.

RELEASED FOR PUBLICATION

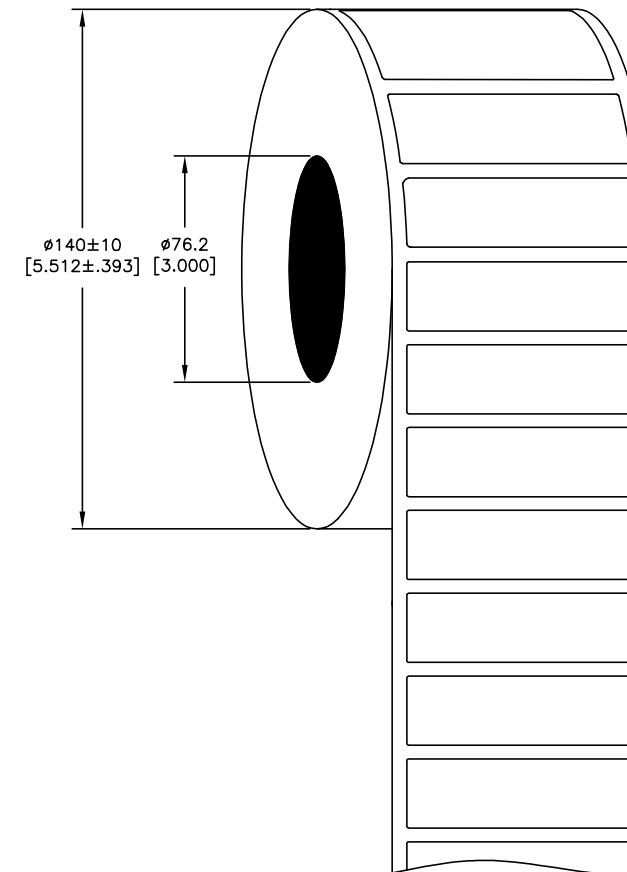
© COPYRIGHT - TE Connectivity Ltd.

ALL RIGHTS RESERVED.

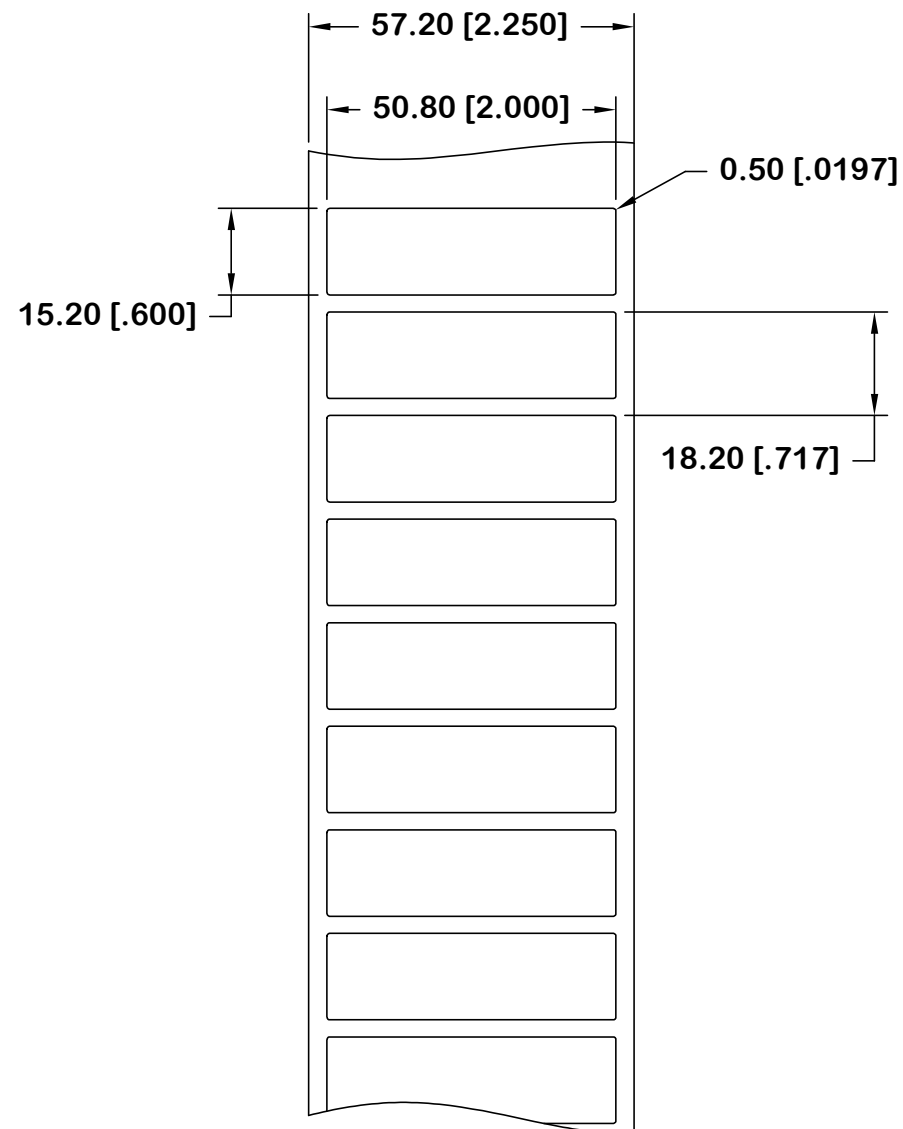
REVISIONS

P	LTR	DESCRIPTION	DATE	DWN	APVD
	A	DRAWING FORMAT UPDATE AND MATERIAL RE-DESIGN	25APR2019	GK	KM

PRESENTATION



LABEL AND LINER DESIGN



All dimensions in mm [Inches]

TE PN: F55821-000

OUTSIDE WOUND
LABEL ACROSS: 1
PER ROLL QTY: 3000.
ROLL LENGTH: 54.6m

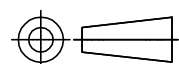
HPK06WE1050

MATERIAL	WHITE POLYPROPYLENE FILM
ADHESIVE TYPE	PERMANENT
LINER	BLEACHED, SUPER-CALENDERED PAPER STOCK

TOLERANCES mm [INCH]	
LABEL HEIGHT:	±0.3 [.012]
LABEL WIDTH:	±0.3 [.012]
WEB WIDTH:	±0.8 [.031]
VERTICAL REPEAT:	±0.8 [.031]*
HORIZONTAL REPEAT:	±0.8 [.031]*
PRINT POSITIONING:	±0.8 [.031]*
LEFT MARGIN:	±0.4 [.016]
QUANTITY:	-0 % +2 %
*NON ACCUMULATING	

THIS DRAWING IS A CONTROLLED DOCUMENT.

DIMENSIONS: mm [INCHES]



TOLERANCES UNLESS OTHERWISE SPECIFIED:

0 PLC	± -
1 PLC	± -
2 PLC	± -
3 PLC	± -
4 PLC	± -
ANGLES	± -
FINISH	-

MATERIAL SEE TABLE

DWN	25APR2019
CHK	GOPALAKRISHNA HV
APVD	25APR2019
PRODUCT SPEC	K. MUNZ
APPLICATION SPEC	K. MUNZ
WEIGHT	TTDS-008
CUSTOMER DRAWING	0.184 g

NAME		HPK - THERMAL TRANSFER PRINTABLE PANEL LABELS	
SIZE	CAGE CODE	DRAWING NO	RESTRICTED TO
A3	C2290	HPK06WE1050	-
SCALE		SHEET	REV
NTS		1 of 1	A