

THIS DRAWING IS UNPUBLISHED.

RELEASED FOR PUBLICATION

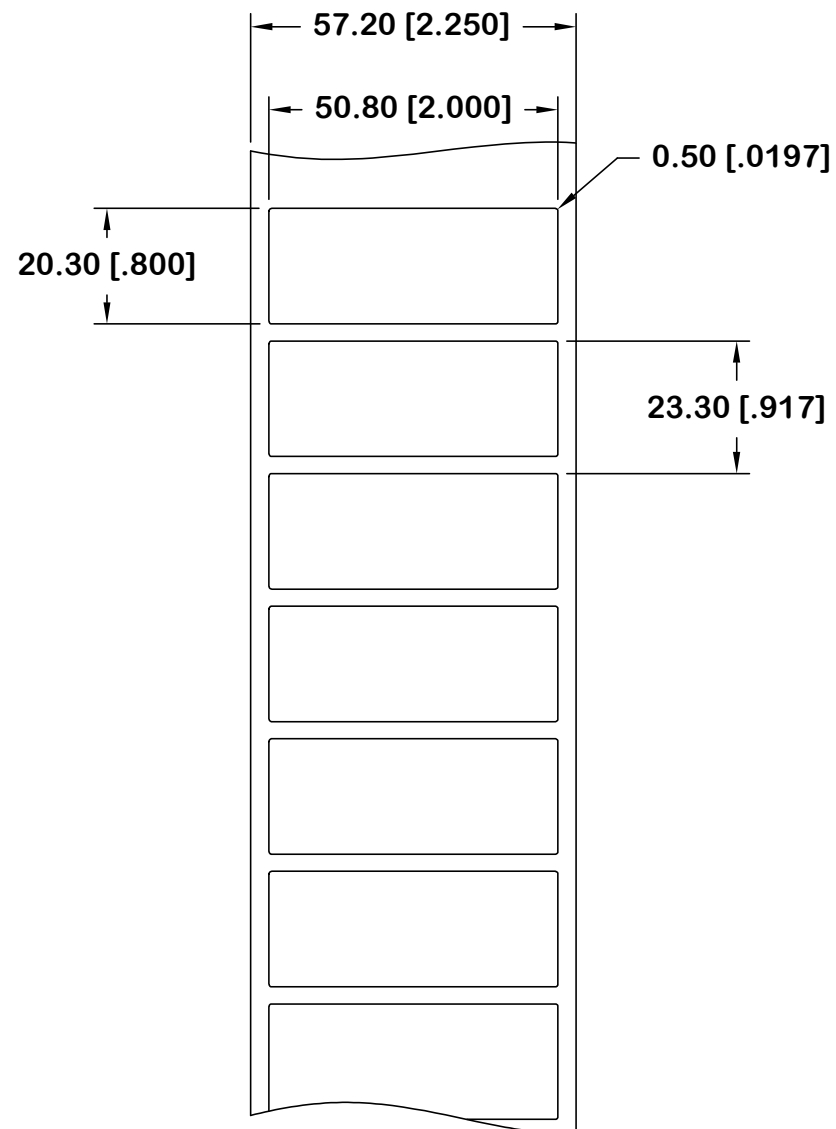
© COPYRIGHT - TE Connectivity Ltd.

ALL RIGHTS RESERVED.

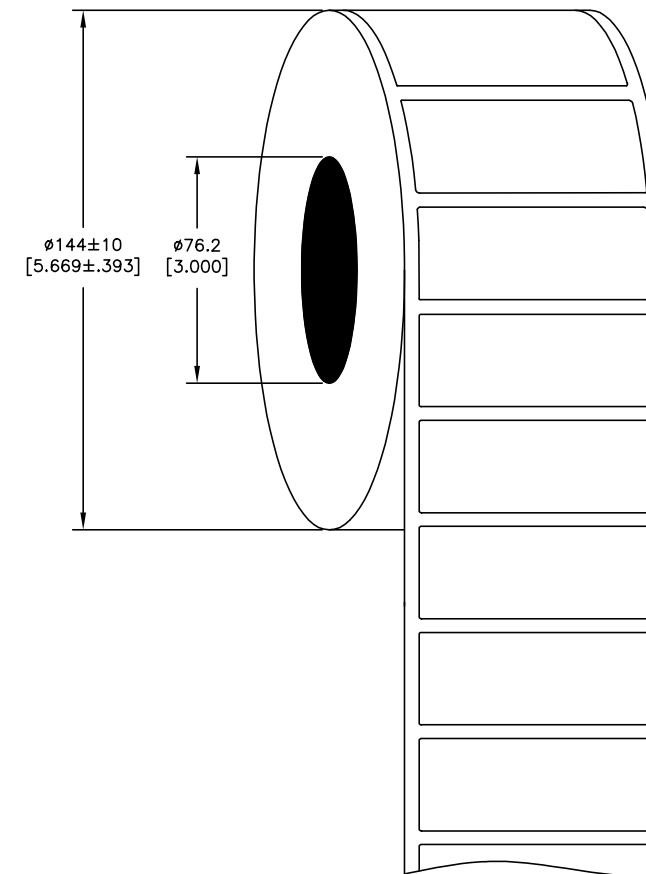
REVISIONS

P	LTR	DESCRIPTION	DATE	DWN	APVD
	A	DRAWING FORMAT UPDATE AND MATERIAL RE-DESIGN	25APR2019	GK	KM

LABEL AND LINER DESIGN



PRESENTATION



All dimensions in mm [Inches]

TE PN: F13204-000

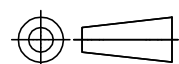
OUTSIDE WOUND
LABEL ACROSS: 1
PER ROLL QTY: 2500.
ROLL LENGTH: 58.25m

MATERIAL	WHITE POLYPROPYLENE FILM
ADHESIVE TYPE	PERMANENT
LINER	BLEACHED, SUPER-CALENDERED PAPER STOCK

TOLERANCES mm [INCH]	
LABEL HEIGHT:	±0.3 [.012]
LABEL WIDTH:	±0.3 [.012]
WEB WIDTH:	±0.8 [.031]
VERTICAL REPEAT:	±0.8 [.031]*
HORIZONTAL REPEAT:	±0.8 [.031]*
PRINT POSITIONING:	±0.8 [.031]*
LEFT MARGIN:	±0.4 [.016]
QUANTITY:	-0 % +2 %
*NON ACCUMULATING	

THIS DRAWING IS A CONTROLLED DOCUMENT.

DIMENSIONS:
mm [INCHES]



TOLERANCES UNLESS OTHERWISE SPECIFIED:

0 PLC	± -
1 PLC	± -
2 PLC	± -
3 PLC	± -
4 PLC	± -
ANGLES	± -

MATERIAL
SEE TABLE

FINISH
-

DWN	25APR2019
CHK	GOPALAKRISHNA HV
APVD	25APR2019
PRODUCT SPEC	K. MUNZ
APPLICATION SPEC	K. MUNZ
WEIGHT	TTDS-008
CUSTOMER DRAWING	0.236 g

NAME HPK - THERMAL TRANSFER PRINTABLE PANEL LABELS	
SIZE	A3
CAGE CODE	C2290
DRAWING NO	HPK08WE1050
RESTRICTED TO	-
SCALE	NTS
SHEET	1 of 1
REV	A