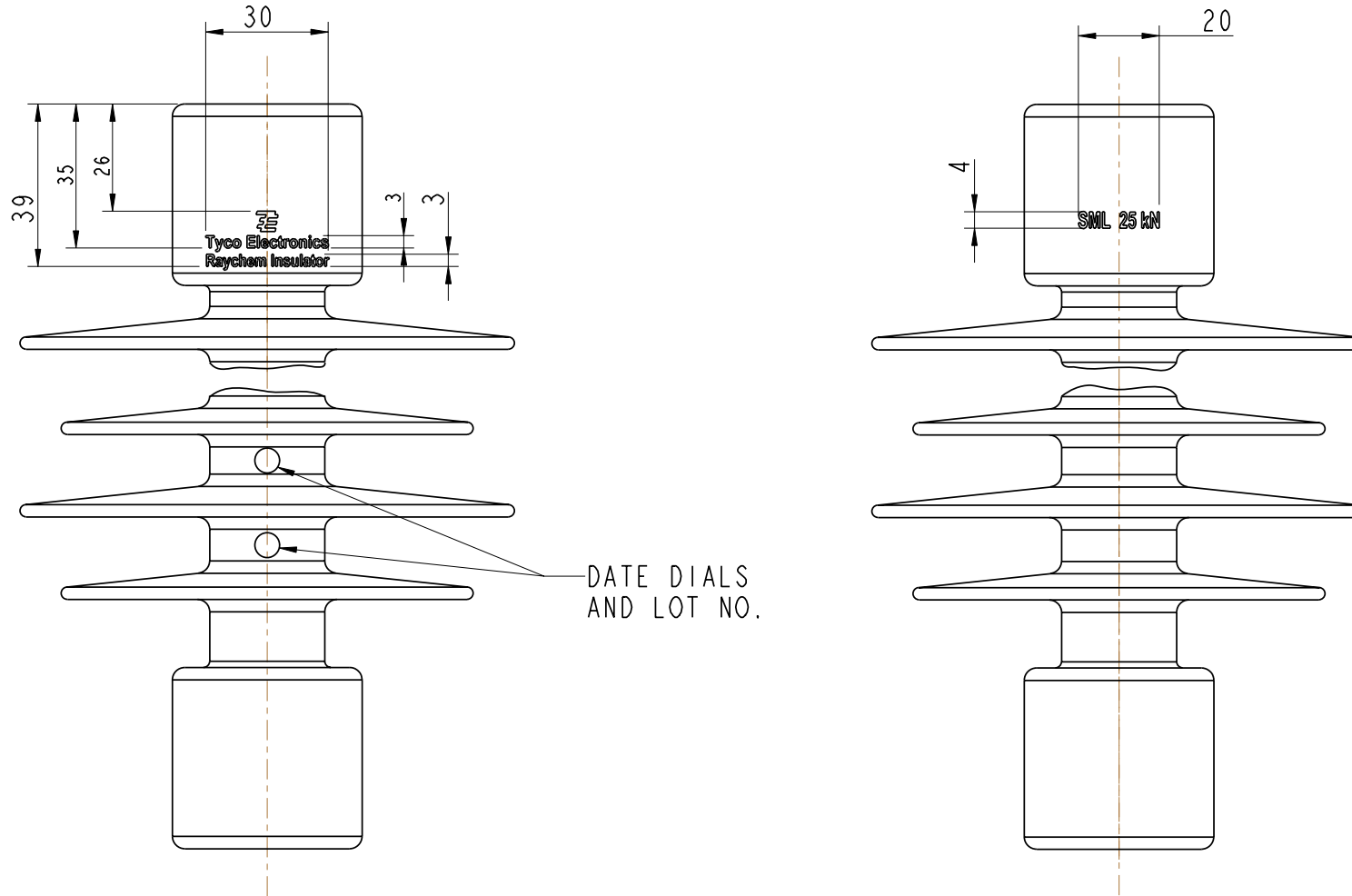



SCD



0	09/09	HMF	ORIGINAL ISSUE	
REV	DATE	SIGN	MODIFICATION	APP

				BAY 105 SHANNON IND. EST. SHANNON CO. CLARE IRELAND			
THIS DRAWING AND THE INFORMATION SET FORTH HEREIN ARE THE PROPERTY OF TYCO ELECTRONICS AND ARE TO BE HELD IN TRUST AND CONFIDENCE. PUBLICATION, DUPLICATION, DISCLOSURE OR USE FOR ANY OTHER PURPOSE NOT EXPRESSLY AUTHORISED IN WRITING BY TYCO ELECTRONICS IS PROHIBITED.				DRN HMF 09/09		TITLE EPBI PRODUCT HOUSING TEXT	
THIS DRAWING, INCLUDING ITS MEASUREMENTS AND OTHER TECHNICAL DETAIL, HAVE BEEN PREPARED BY TYCO ELECTRONICS ON THE BASIS OF THEN CURRENT PRODUCT DEVELOPMENT OR TECHNICAL DISCUSSIONS, AND FOR DISCUSSION PURPOSES ONLY. ALL TECHNICAL DETAIL AND MEASUREMENTS ARE SUBJECT TO CHANGE, AND TYCO ELECTRONICS DOES NOT PROVIDE ANY WARRANTY FOR ANY ASPECT OF IT AND WILL NOT BE LIABLE FOR ITS USE.				CHECK PK 09/09			
APP JM 09/09				PCN		DRG NO INSI091	SHEET 1 OF 1