

TA-Nr.	<b>Battery Disconnecter 500A</b>	Bl. 1 v. 1
--------	----------------------------------	------------

Circuit

*Für diese Zeichnung behalten wir uns das Urheberrecht gemäß DIN ISO 16046 vor*

**Technical Data:**

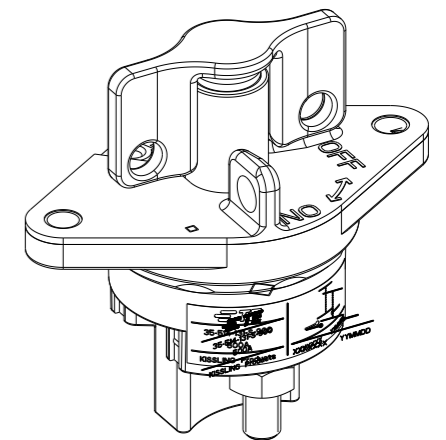
Case Material: Cover	Vyncolit black
Base Plate	PA GF black
Key Plate	PA GF black
Switch Lever Material	PA GF black
Min. Insulation Resistance	100MΩ
Dielectric Withstanding Voltage	1050V-1min
Max. Contact Voltage Drop	150mV
Voltage	up to 32VDC
Continuous Rating	500A
Overload	1500A 4min 2000A 1min 2500A-10sec
Sealing	IP 67/ IEC 529
Vibration	10G/ 18-500Hz
Weight	340g/ 0.75 Pound
Temperature Range	-40°C to +85°C
Wire Selection (At Nominal Load)	min. 250mm <sup>2</sup>
Key	not removeable lockable in "OFF&ON" position
Max. Torque (Main Contacts)	15-20Nm

Datum	Name	Freimaßtoleranz	Maßstab		Zeichnungs-Nr.:
Bearb.	26.01.2018	Mielk	DIN ISO 2768 cL	1:2	35-514-131-S-900
Gepr.	30.01.2018	Grind			Vers.Nr.:

REVISIONS					
P	LTR	DESCRIPTION	DATE	DWN	APVD
	A	TE STANDARD UPDATED	04JUL2024	SK	RB

NOTE  
Bemerkungen:

- 1 TE-CONNECTIVITY ORDER-NUMBER  
TE-Connectivity Bestellnummer
- 2 DO NOT SWITCH UNDER LOAD!  
Nicht unter Last schalten!



	K1161191	A	BATTERY DISCONNECTOR 500A Batterietrennschalter 500A	1
TE ORDER-NO.	REV.		DESCRIPTION	ITEM NO

THIS DRAWING IS A CONTROLLED DOCUMENT.		DWN M.Suryakumar 13JUN2024	TE Connectivity																																										
<table border="1" style="width: 100%; border-collapse: collapse;"> <tr> <th>DIMENSIONS:</th> <th>TOLERANCES UNLESS OTHERWISE SPECIFIED:</th> </tr> <tr> <td>mm</td> <td>DIN ISO 2768 cL</td> </tr> <tr> <td rowspan="5" style="text-align: center;"></td> <td>0 PLC ±</td> </tr> <tr> <td>1 PLC ±</td> </tr> <tr> <td>2 PLC ±</td> </tr> <tr> <td>3 PLC ±</td> </tr> <tr> <td>4 PLC ±</td> </tr> <tr> <td>ANGLES ±</td> <td></td> </tr> <tr> <td>MATERIAL</td> <td>FINISH</td> <td>APVD R.Baumgartner 13JUN2024</td> <td colspan="3" rowspan="2" style="text-align: center;">NAME <b>BATTERY DISCONNECTOR 500A</b> Batterietrennschalter 500A</td> </tr> <tr> <td colspan="2"></td> <td>CHK K.Seegar 13JUN2024</td> <td>PRODUCT SPEC</td> <td>RESTRICTED TO</td> </tr> <tr> <td colspan="2"></td> <td>APVD R.Baumgartner 13JUN2024</td> <td>APPLICATION SPEC</td> <td>SIZE A3</td> <td>CAGE CODE 00779</td> <td>DRAWING NO. 35-314-131-S-900</td> <td>RESTRICTED TO</td> </tr> <tr> <td colspan="2"></td> <td>PRODUCT SPEC</td> <td>WEIGHT</td> <td colspan="3" style="text-align: center;">SCALE</td> </tr> <tr> <td colspan="2"></td> <td>CUSTOMER DRAWING</td> <td colspan="2" style="text-align: center;">SHEET 1 OF 1</td> <td>REV A</td> </tr> </table>		DIMENSIONS:	TOLERANCES UNLESS OTHERWISE SPECIFIED:	mm	DIN ISO 2768 cL		0 PLC ±	1 PLC ±	2 PLC ±	3 PLC ±	4 PLC ±	ANGLES ±		MATERIAL	FINISH	APVD R.Baumgartner 13JUN2024	NAME <b>BATTERY DISCONNECTOR 500A</b> Batterietrennschalter 500A					CHK K.Seegar 13JUN2024	PRODUCT SPEC	RESTRICTED TO			APVD R.Baumgartner 13JUN2024	APPLICATION SPEC	SIZE A3	CAGE CODE 00779	DRAWING NO. 35-314-131-S-900	RESTRICTED TO			PRODUCT SPEC	WEIGHT	SCALE					CUSTOMER DRAWING	SHEET 1 OF 1		REV A
		DIMENSIONS:	TOLERANCES UNLESS OTHERWISE SPECIFIED:																																										
mm	DIN ISO 2768 cL																																												
	0 PLC ±																																												
	1 PLC ±																																												
	2 PLC ±																																												
	3 PLC ±																																												
	4 PLC ±																																												
ANGLES ±																																													
MATERIAL	FINISH	APVD R.Baumgartner 13JUN2024	NAME <b>BATTERY DISCONNECTOR 500A</b> Batterietrennschalter 500A																																										
		CHK K.Seegar 13JUN2024				PRODUCT SPEC	RESTRICTED TO																																						
		APVD R.Baumgartner 13JUN2024	APPLICATION SPEC	SIZE A3	CAGE CODE 00779	DRAWING NO. 35-314-131-S-900	RESTRICTED TO																																						
		PRODUCT SPEC	WEIGHT	SCALE																																									
		CUSTOMER DRAWING	SHEET 1 OF 1		REV A																																								