

P	LTR	DESCRIPTION	DATE	DWN	APVD
B		ECN-24-287621	07OCT2024	YK	MP

### Ordering Information

Sample Part Number ►

K45 C 3 3 4

Series: \_\_\_\_\_

Contact Form: \_\_\_\_\_  
C = SPDT

Coil Voltage: \_\_\_\_\_  
2 = 12 Vdc, Bus Wire  
3 = 26.5 Vdc, Bus Wire

High Voltage Connections: \_\_\_\_\_  
3 = Solder Connection

Mounting: \_\_\_\_\_  
2 = Flanged  
4 = Standard

### Product Specifications

Contact Arrangement — SPDT

Contact Form — C

Test Voltage, DC or 60 Hz (Peak) — 4 kV

Rated Operating Voltage (Peak) — DC or 60 Hz — 2 kV

2.5 MHz — 1.8 kV  
16 MHz — 1.4 kV  
32 MHz — 1.1 kV

Vibration — Peak — 10 g (10 to 2000 Hz)

Operating Ambient Temperature Range — -55°C to +125°C

Mechanical Life — 2 million cycles

### Coil Data

Volts, Nominal DC	12 V	26.5 V
Pickup, Max.	8 Vdc	16 Vdc
Hold, Max. @ 65°C	8.5 Vdc	17 Vdc
Dropout	.5-5 Vdc	1-10 Vdc
Coil Resistance (±10%)	230 Ω	707 Ω

Ratings listed are for 25°C, sea level conditions.

Weight, Nominal — 21.26 g (0.75 oz.)

Continuous Carry Current, Max. — DC or 60 Hz — 20 A

2.5 MHz — 16 A  
16 MHz — 10 A  
32 MHz — 6 A

Coil Hi-Pot (Vrms, 60 Hz) — 500 A

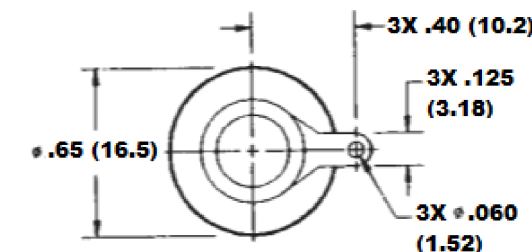
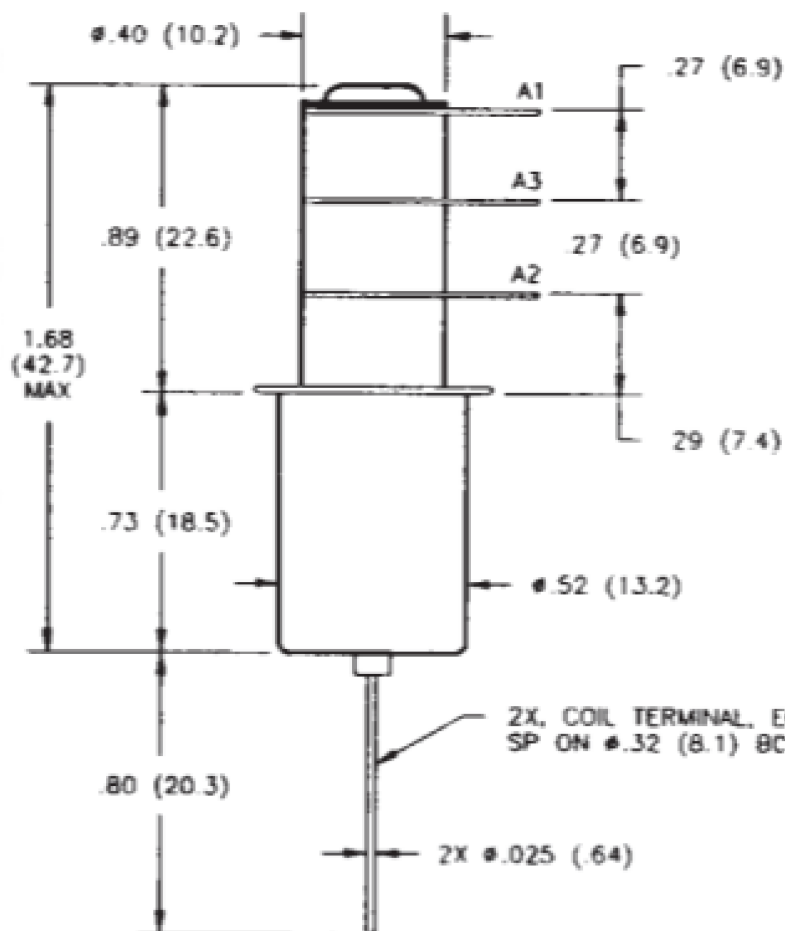
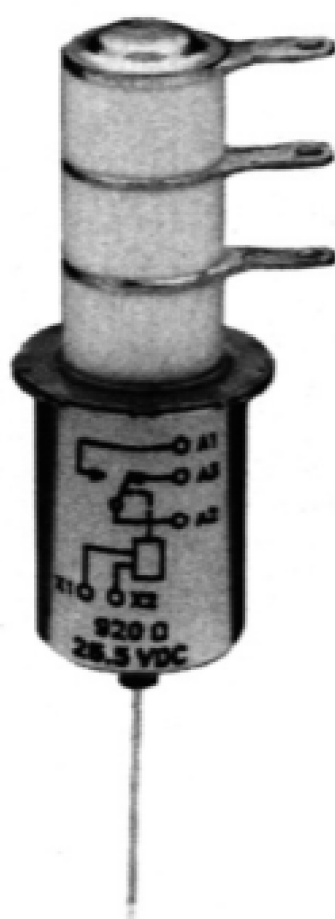
Contact Capacitance —  
Between Open Contacts — 1.6 pF  
Open Contacts to Ground — 2 pF

Contact Resistance, Max. — 0.05 ohm

Operate Time, Max. — 10 ms

Release Time, Max. — 10 ms

Shock, 11ms, 1/2 Sine (Peak) — 30 g

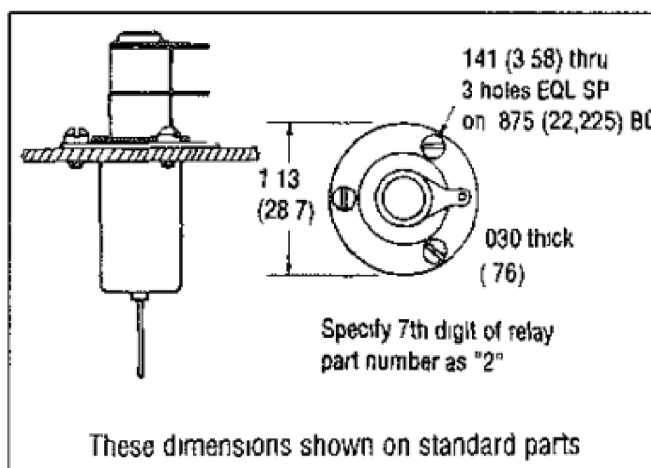


### K45C

#### Product Facts

- Small, low profile 2 kV relay
- Vacuum dielectric for power switching low current loads
- Single pole, double throw contacts
- Widely used in H.F. communication equipment
- Meets requirements of MIL-R-83725
- Low power consumption

### Optional Flange Mounting for PD5, PD10, K40, K41, K43 and K45 types



These dimensions shown on standard parts

ALL DIMENSIONS ARE IN INCHES(MM)

THIS DRAWING IS A CONTROLLED DOCUMENT.

DIMENSIONS:	TOLERANCES UNLESS OTHERWISE SPECIFIED:
INCHES	
0 PLC	± -
1 PLC	± -
2 PLC	± -
3 PLC	± -
4 PLC	± -
ANGLES	± -
MATERIAL	FINISH

DWN	VM	24AUG2019
CHK	RV	24AUG2019
APVD	MP	24AUG2019
PRODUCT SPEC		
APPLICATION SPEC		
WEIGHT	-	
CUSTOMER DRAWING		

<b>STE</b> TE Connectivity			
NAME K45C SERIES MAKE AND BREAK LOAD SWITCHING			
SIZE	CAGE CODE	DRAWING NO	RESTRICTED TO
A3	-	©-K45C-SERIES	-
SCALE		SHEET	REV
NTS		1 OF 1	B