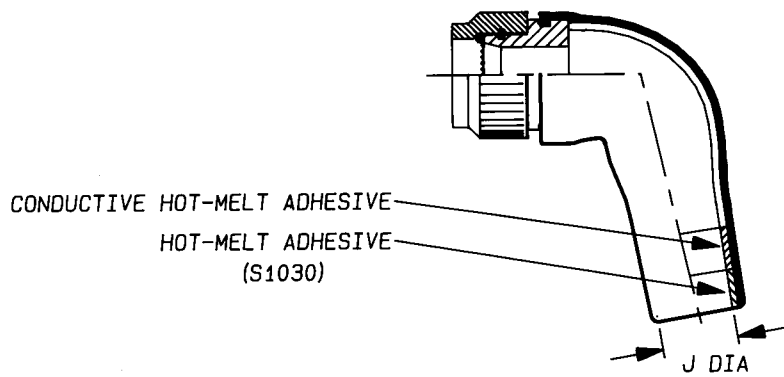
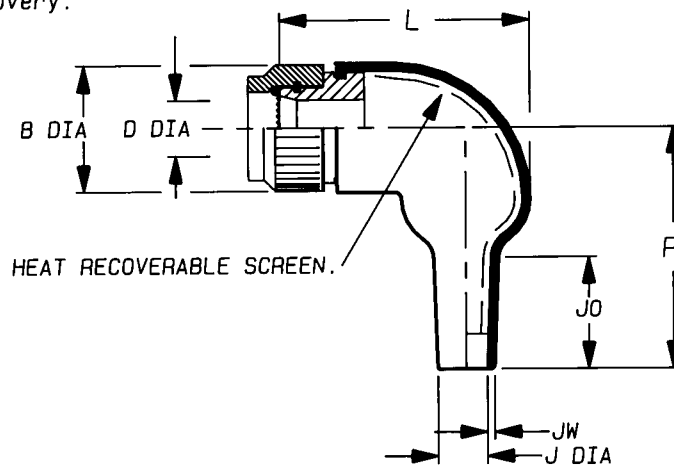


a) Part as supplied.

KTKK 0721-0728



b) Part after unrestricted recovery.



Raychem connector code: - 41
 Connector series: - MIL-C-38999 SERIES 1 & 2
 Adaptor Series: - 204MO**19-B**K-NS
 Moulded Part Material: - -100S

Kits to include cleaning tissue, 1 piece 100 grit emery cloth & packing piece.
 Kit to be used in conjunction with installation guide for 90 & 45 deg. assemblies.

Dimensions (in millimetres.)

Part No.	SHELL SIZE	B	D	J		L	P	JO	JW
		DIA MAX	DIA MIN	MIN a	MAX b	±10% b	±10% b	REF b	±30% b
KTKK 0721	10	18.6	9.4	9	6.0	43	38	17	1.0
KTKK 0722	12	22.1	12.9	11	7.2	46	42	18	1.0
KTKK 0723	14	26.1	14.2	11	7.2	46	42	18	1.0
KTKK 0724	16	29.6	18.9	17	8.5	53	51	20	1.0
KTKK 0725	18	33.1	18.9	17	8.5	53	51	20	1.0
KTKK 0726	20	36.1	23.7	21	10.0	60	67	28	1.5
KTKK 0727	22	39.6	23.7	21	10.0	60	67	28	1.5
KTKK 0728	24	42.6	31.4	29	15.8	69	80	31	1.5

Copyright (!)

Urheberrechte

The copyright in this drawing is the property of Raychem Ltd. The drawing is issued on condition that it is not copied, reproduced or disclosed to a third party, either in whole or in part without the prior written consent of Raychem Ltd.

Drawn A.LILLEY. Checked *[Signature]* Issue 3 Date October 1993

Conforms to ISO Recommendations
3rd Angle Projection
Not to Scale

Approval
Design

[Signature]

MKTG.

[Signature]

Q.C.

[Signature]

