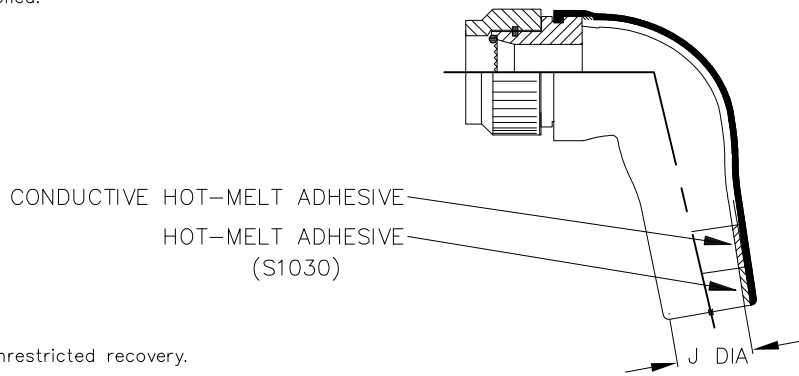


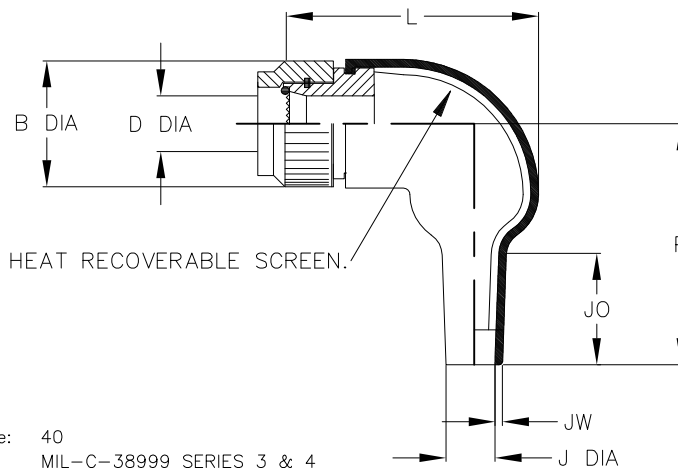
REVISIONS

P	LTR	DESCRIPTION	DATE	DWN	APVD
	4	RELEASED AS PER ECO-17-009529	03JUL2017	KH	MP

a) Part as supplied.



b) Part after unrestricted recovery.



NOTES:

Raychem Connector Code: 40
 Connector Series: MIL-C-38999 SERIES 3 & 4
 Adaptor Series: 208M7**-01-W**-K-NS
 Nickel Aluminium Bronze to BS2874CA104 OR ASTM C 63200 OR ASTM B150
 Unplated, Shotblast - Glass Bead
 Moulded Part Material: -100C (Black); Polyolefin/Silver Composites, semi-flexible
 ZEROHAL™ Low fire hazard

Kits to include cleaning tissue, 1 piece 100 grit emery cloth & packing piece.
 Kit to be used in conjunction with installation guide for 90 & 45 deg. assemblies.

Dimensions in mm [inches for reference]

Part No.	Shell Size	B DIA MAX	D DIA MIN	J		P ±10% b	L ±10% b	JO REF b	JW ±30% b
				MIN a	MAX b				
KTKK2620A	A	19.2 [.76]	6.7 [.26]	9 [.35]	6.0 [.24]	38 [1.50]	40 [1.57]	17 [.67]	1.0 [.04]
KTKK2621A	B	21.7 [.85]	10.1 [.39]	11 [.43]	7.2 [.28]	42 [1.65]	43 [1.69]	18 [.71]	1.0 [.04]
KTKK2622A	C	25.5 [1.00]	12.9 [.50]	17 [.66]	8.5 [.33]	51 [2.01]	50 [1.97]	20 [.79]	1.0 [.04]
KTKK2623A	D	29.3 [1.15]	16.1 [.63]	17 [.66]	8.5 [.33]	51 [2.01]	50 [1.97]	20 [.79]	1.0 [.04]
KTKK2624A	E	31.9 [1.26]	19.4 [.76]	21 [.82]	10.0 [.39]	67 [2.64]	57 [2.24]	28 [1.10]	1.5 [.06]
KTKK2625A	F	35.7 [1.41]	22.1 [.87]	21 [.82]	10.0 [.39]	67 [2.64]	57 [2.24]	28 [1.10]	1.5 [.06]
KTKK2626A	G	38.2 [1.50]	25.4 [1.00]	29 [1.14]	15.8 [.62]	80 [3.15]	66 [2.60]	31 [1.22]	1.5 [.06]
KTKK2627A	H	42.0 [1.65]	28.4 [1.12]	29 [1.14]	15.8 [.62]	80 [3.15]	66 [2.60]	31 [1.22]	1.5 [.06]
KTKK2628A	J	44.6 [1.76]	30.9 [1.22]	37 [1.46]	15.7 [.62]	108 [4.25]	80 [3.15]	48 [1.89]	2.0 [.08]

THIS DRAWING IS UNPUBLISHED.

ALL RIGHTS RESERVED.

COPYRIGHT 2016 By TE Connectivity

DIMENSIONS: mm [INCHES]	DWN K. HOLAL 14OCT2016	MATERIAL SEE NOTES	FINISH SEE NOTES
	CHK N. NAGAR 14OCT2016	TE Connectivity	
TOLERANCES UNLESS OTHERWISE SPECIFIED:	APVD M. POPE 14OCT2016		
0 PLC ± -	PRODUCT SPEC	RESTRICTED TO	
1 PLC ± -	APPLICATION SPEC	-	
2 PLC ± -	WEIGHT	SIZE A4	CAGE CODE 00779
3 PLC ± -		DRAWING NO C-KTKK2620A-2628A	
4 PLC ± -			
ANGLES ± -		SCALE DNS	SHEET 1 OF 1
		REV 4	
CUSTOMER DRAWING			