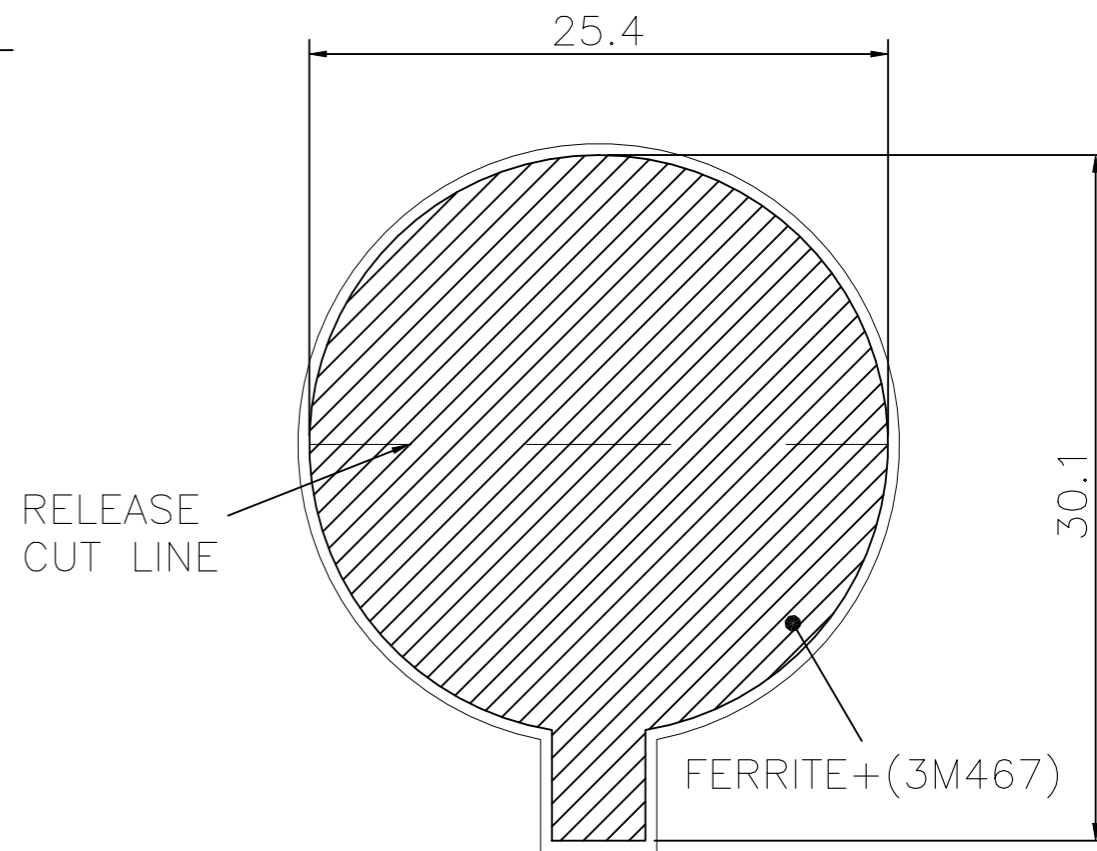
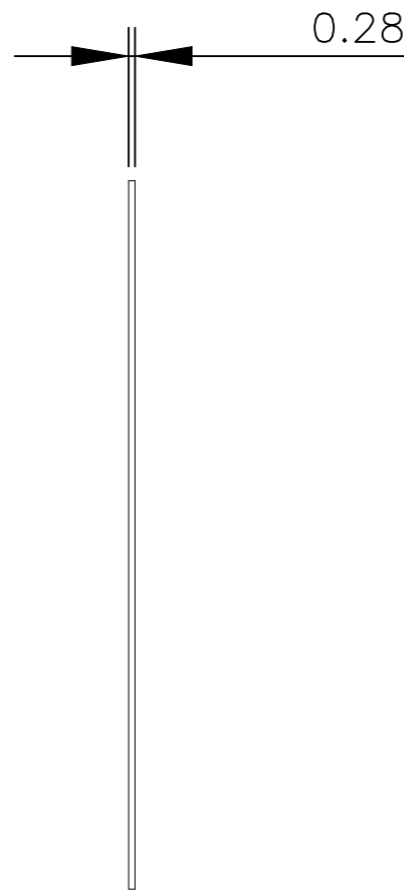
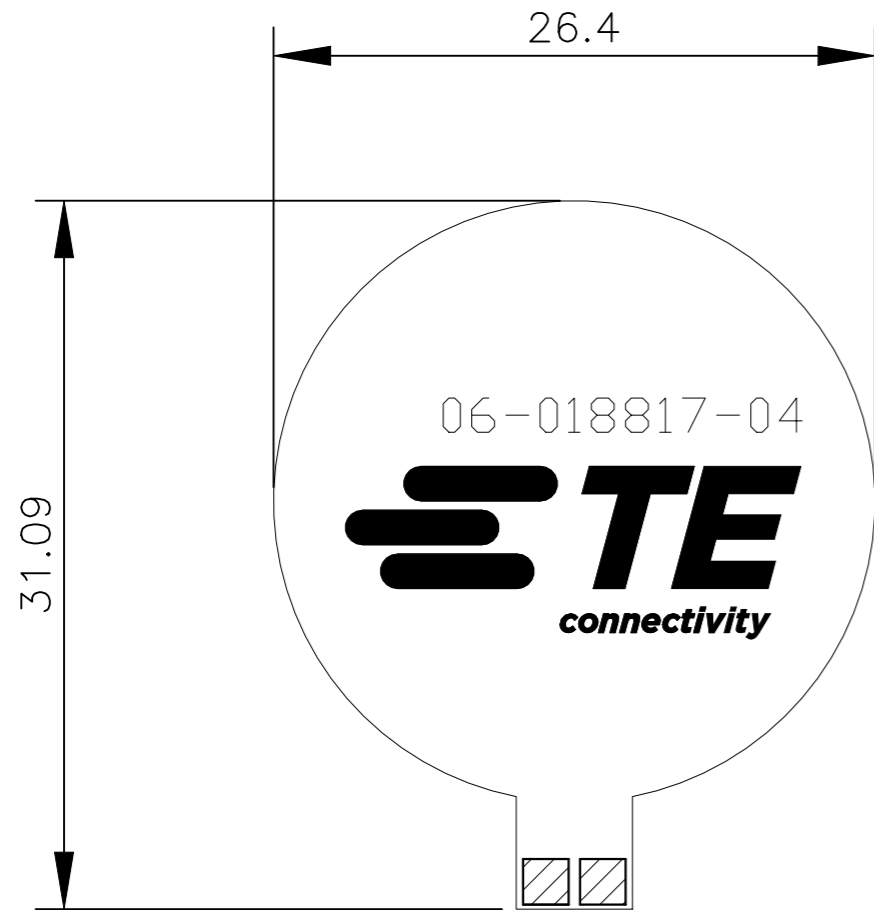


REVISIONS					
P	LTR	DESCRIPTION	DATE	DWN	APVD
	A1	ECR-23-244634	30NOV2023	DC	JH



NOTE

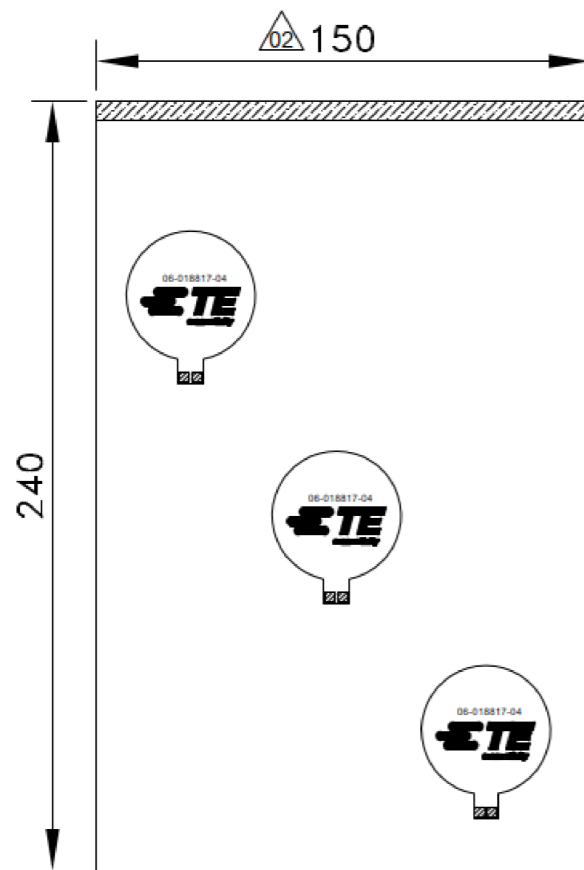
1. REQUENCY : 13.56MHZ
2. La:1.16uH ; Rs:1.37 Ohm
3. SENSOR DISTANCE 57mm
4. OPERATING TEMPERATURE -40 TO +85
5. STORAGE TEMPERATURE -40 TO +85
6. MEET ROHS REQUIREMENT
7. CONSULT TE CONNECTIVITY DS_L000642
8. PACKAGE BAG AND BOX
9. FINISH

A: COVERLAY: ORANGE PI & SOLDER MASK (ORANGE)
 B: (ENIG) ELECTROLESS NICKEL IMMERSION GOLD
 PLATING ON TOP EXPOSED SOLDER AREA: FINISH 0.03um MIN GOLD OVER 2um MIN NICKEL

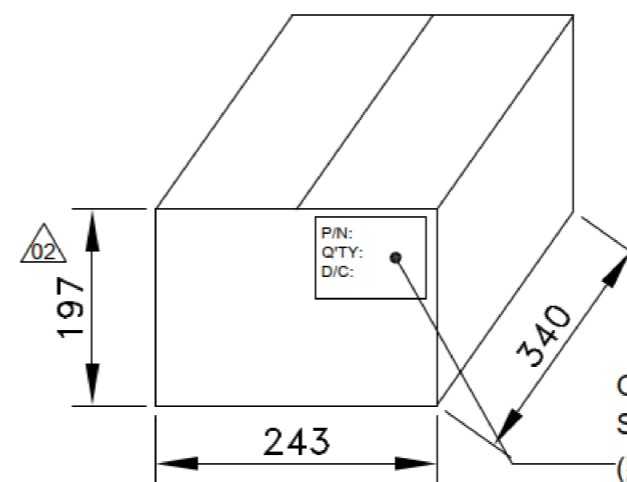
L000642-01
TE PN

THIS DRAWING IS A CONTROLLED DOCUMENT.		DWN DC	03JUL2023	STE TE Connectivity	
		CHK SJ	03JUL2023		
		APVD JH	03JUL2023	NAME	
		PRODUCT SPEC		FPC, ANT, 13.56MHZ, FERRITE, NFC, ROUND	
		APPLICATION SPEC		-	
		WEIGHT		-	
MATERIAL		FINISH		SIZE	RESTRICTED TO
-		-		A3	-
		CUSTOMER DRAWING		CAGE CODE	DRAWING NO
				00779	C=L000642
		SCALE		SHEET	REV
		1:1		1 OF 2	A1

REVISIONS					
P	LTR	DESCRIPTION	DATE	DWN	APVD
-	-	SEE SHEET 1	-	-	-


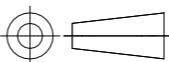


50PCS Antenna Per bag and seal
(每包50支天線並封口)



1000 pcs Antenna per carton
(每箱天線數量為1000pcs)

Outside the carton:
Stick the label on the side mark
(將標籤黏貼於外箱側麥)

THIS DRAWING IS A CONTROLLED DOCUMENT.		DWN DC	03JUL2023	 TE Connectivity	
		CHK SJ	03JUL2023		
		APVD JH	03JUL2023		
DIMENSIONS: mm 		TOLERANCES UNLESS OTHERWISE SPECIFIED: 0 PLC ± - 1 PLC ± - 2 PLC ± 0.3 3 PLC ± - 4 PLC ± - ANGLES ± -		NAME FPC, ANT, 13.56MHZ, FERRITE, NFC, ROUND	
MATERIAL -		FINISH -		PRODUCT SPEC - APPLICATION SPEC - WEIGHT -	SIZE A3 CAGE CODE 00779 DRAWING NO C=L000642 RESTRICTED TO -
CUSTOMER DRAWING				SCALE 1:1	SHEET 2 OF 2 REV A1