

4

3

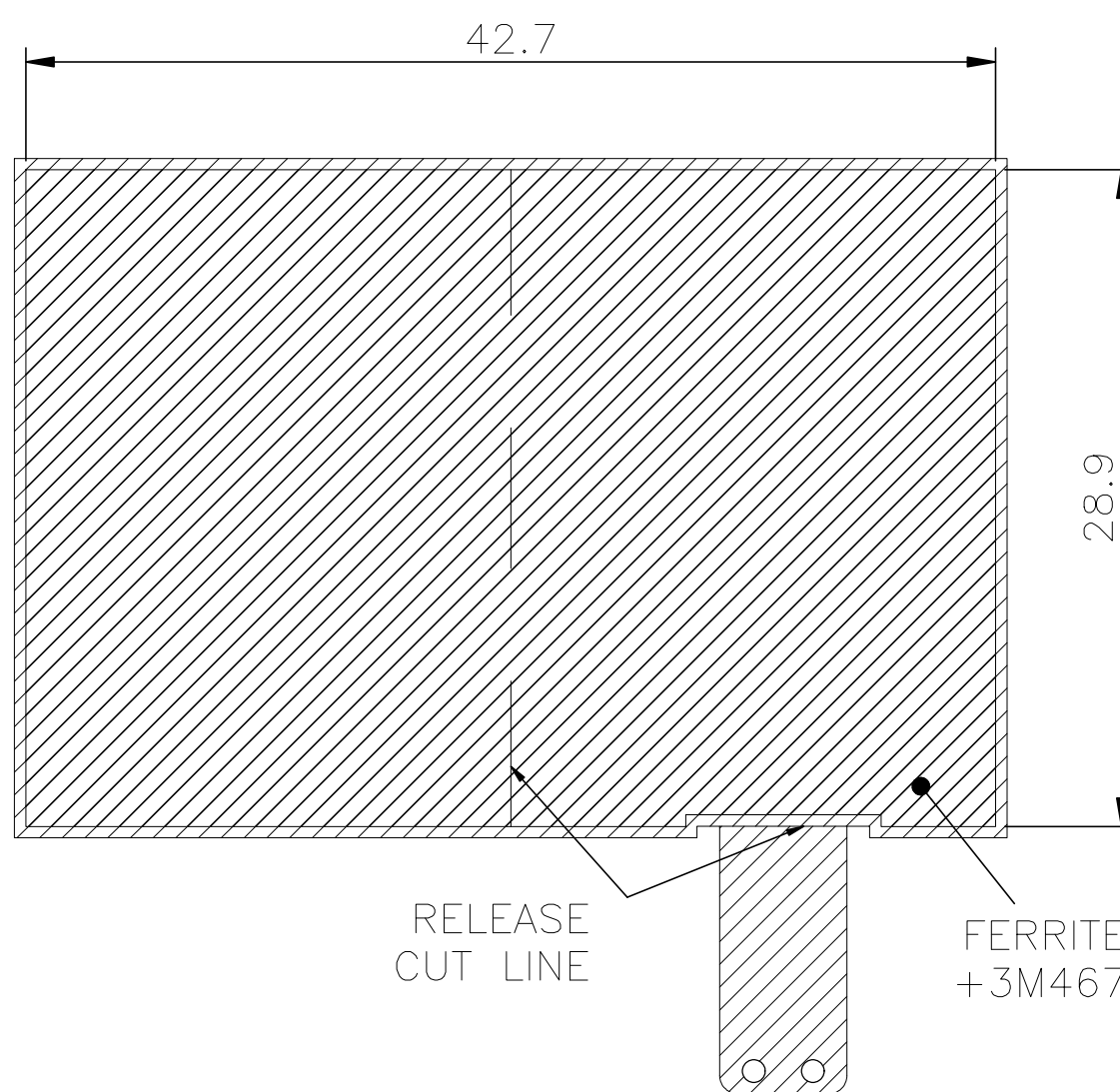
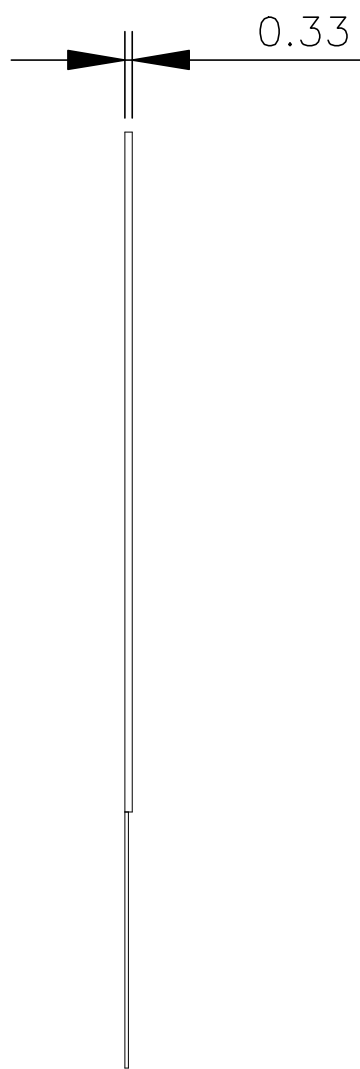
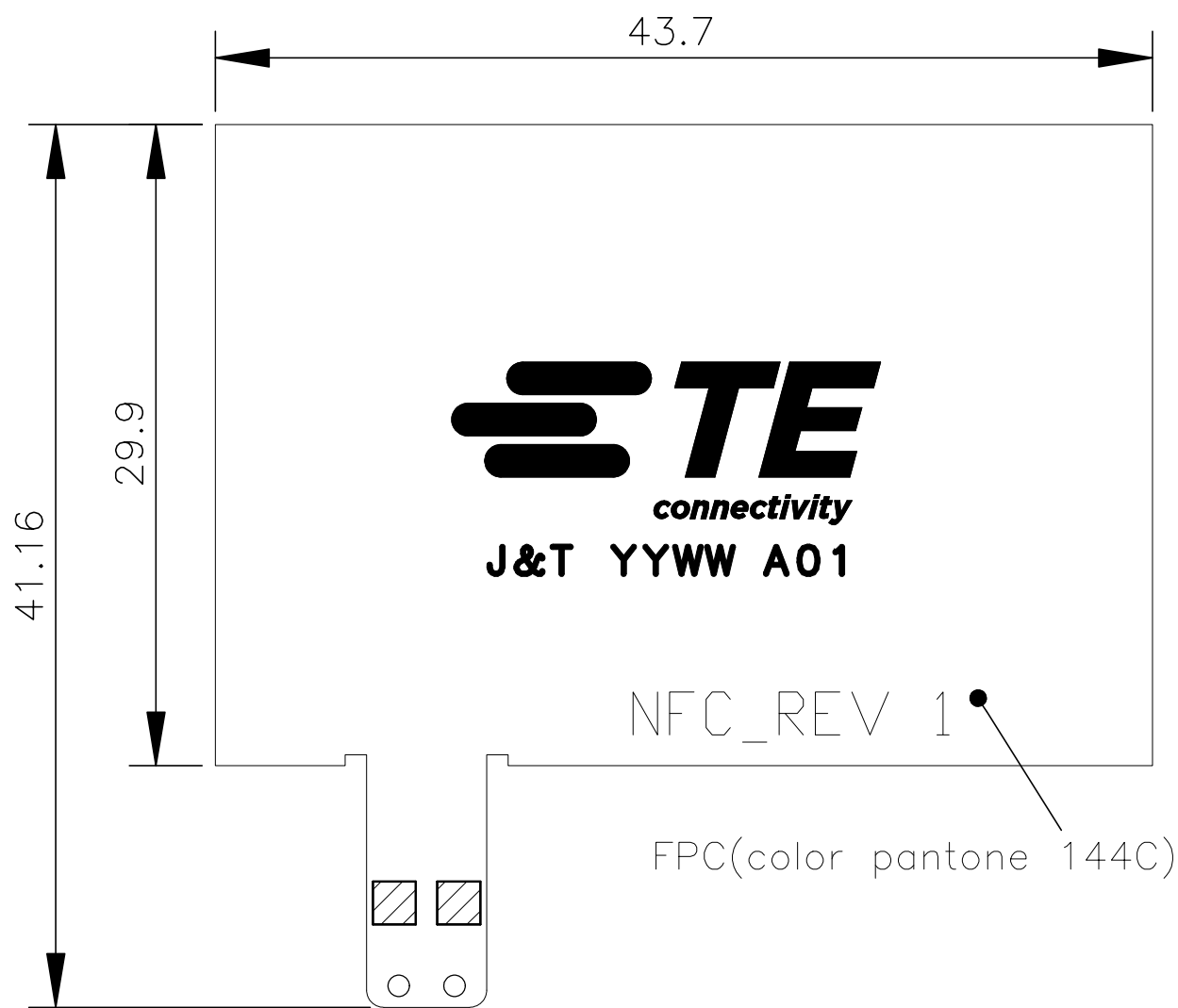
2

1

© A1 TE Connectivity. All Rights Reserved.

REVISIONS

P	LTR	DESCRIPTION	DATE	DWN	APVD
	A1	ECR-23-244634	20DEC2024	DC	JH



NOTE

1. REQUENCY : 13.56MHZ
2. L_a:962.74uH ; R_s:1.08 Ohm
3. SENSOR DISTANCE 78mm
4. OPERATING TEMPERATURE -40 TO +85
5. STORAGE TEMPERATURE -40 TO +85
6. MEET ROHS REQUIREMENT
7. CONSULT TE CONNECTIVITY DS_L000643
8. PACKAGE BAG AND BOX
9. FINISH

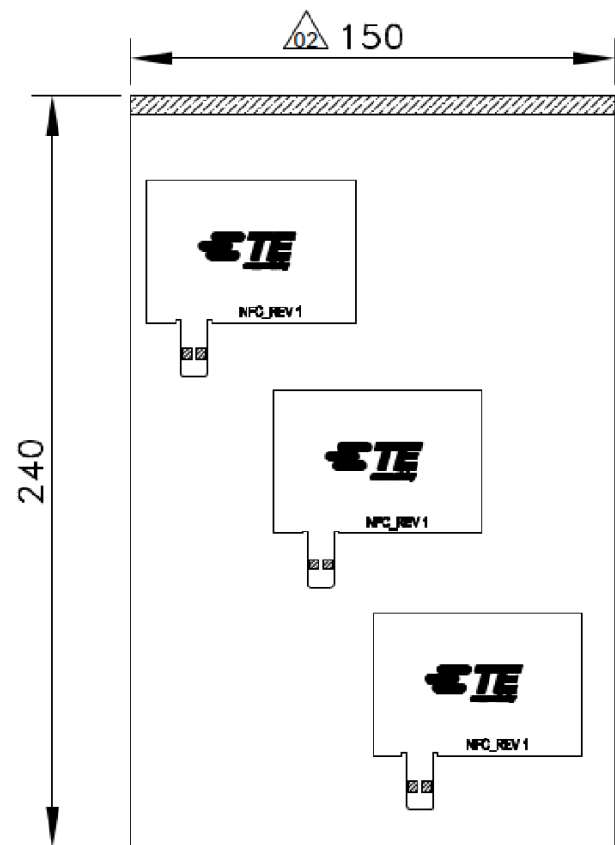
A: COVERLAY: ORANGE PI & SOLDER MASK (ORANGE)
 B: (ENIG) ELECTROLESS NICKEL IMMERSION GOLD
 PLATING ON TOP EXPOSED SOLDER AREA: FINISH 0.03um MIN GOLD OVER 2um MIN NICKEL

L000643-01
TE PN

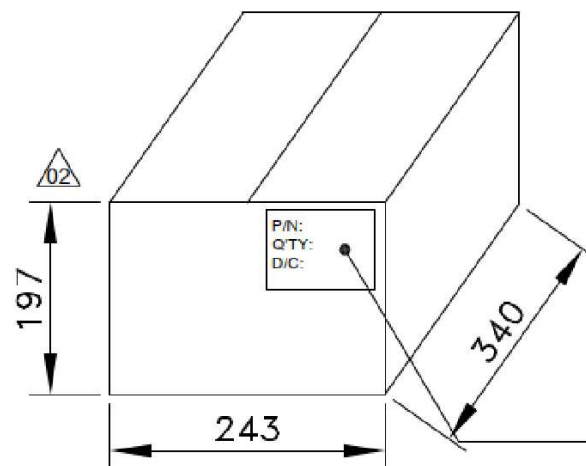
THIS DRAWING IS A CONTROLLED DOCUMENT.		DWN DC 03JUL2023			
		CHK JH 03JUL2023			
		APVD JH 03JUL2023	NAME FPC, ANT, 13.56MHZ, FERRITE, NFC, RECT		
DIMENSIONS: mm		TOLERANCES UNLESS OTHERWISE SPECIFIED:		PRODUCT SPEC	
		0 PLC ± -	APPLICATION SPEC		
		1 PLC ± -	WEIGHT		
		2 PLC ± 0.3	A3 00779 C=L000643		
		3 PLC ± -	SCALE 1:1 SHEET 3 OF 3 REV A1		
		4 PLC ANGLES ± ±	CUSTOMER DRAWING		
MATERIAL -	FINISH -	RESTRICTED TO -			

REVISIONS

P	LTR	DESCRIPTION	DATE	DWN	APVD
-	-	SEE SHEET 1	-	-	-



50PCS Antenna Per bag and seal
(每包50支天線並封口)



1000 pcs Antenna per carton
(每箱天線數量為1000pcs)

Outside the carton:
Stick the label on the side mark
(將標籤黏貼於外箱側麥)

THIS DRAWING IS A CONTROLLED DOCUMENT.		DWN	DC	03JUL2023	STE TE Connectivity Ltd.			
		CHK	JH	03JUL2023				
DIMENSIONS: mm		TOLERANCES UNLESS OTHERWISE SPECIFIED:			NAME			
		0 PLC ± -			FPC, ANT, 13.56MHZ, FERRITE, NFC, RECT			
		1 PLC ± -			-			
		2 PLC ± 0.3			-			
		3 PLC ± -			-			
		4 PLC ± -			-			
		ANGLES ± -			-			
MATERIAL		FINISH			SIZE	CAGE CODE	DRAWING NO	RESTRICTED TO
					A3	00779	C=L000643	-
CUSTOMER DRAWING					SCALE	1:1	SHEET	2 OF 3
							REV	A1