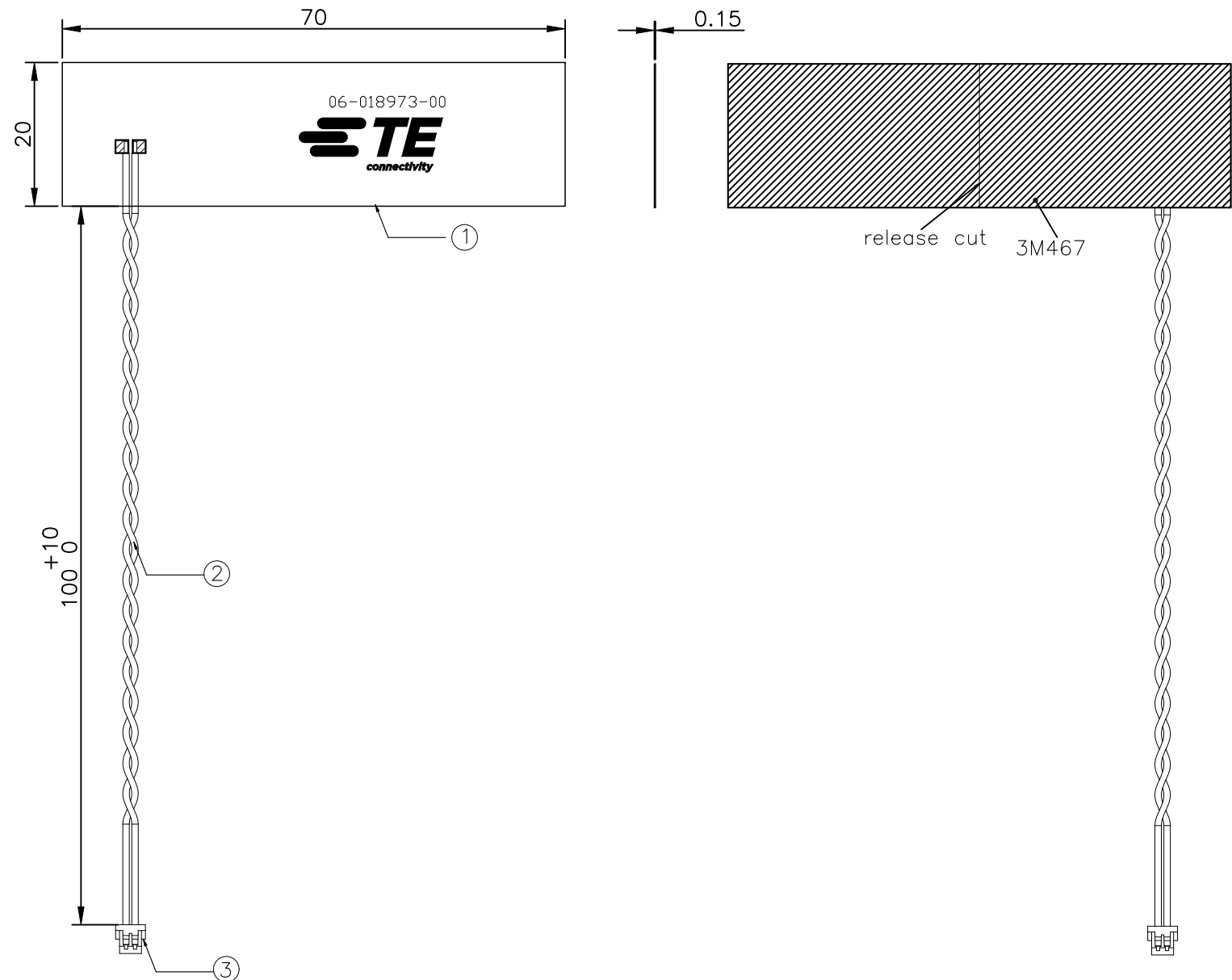


© - TE Connectivity. All Rights Reserved.

REVISIONS				
P	LTR	DESCRIPTION	DATE	APVD
	A	GTP ECN-23-230238	05SEP2023	DC JH



- NOTE
1. FREQUENCY : 13.56MHZ
 2. La:2.06 Rs:2.01 Ohm
 3. SENSOR DISTANCE 35mm
 4. MEET ROHS REQUIREMENT
 5. OPERATING TEMPERATURE -40 TO +85
 6. STORAGE TEMPERATURE -40 TO +85
 7. CONSULT TE_DS_L000644
 8. PACKAGE : BAG AND BOX

L000644-01
TE PN

QTY	DESCRIPTION	ITEM
1	CONN. HRS CONNECTOR	3
1	CABLE 28 CABLE AWG	2
1	BODY FPC	1

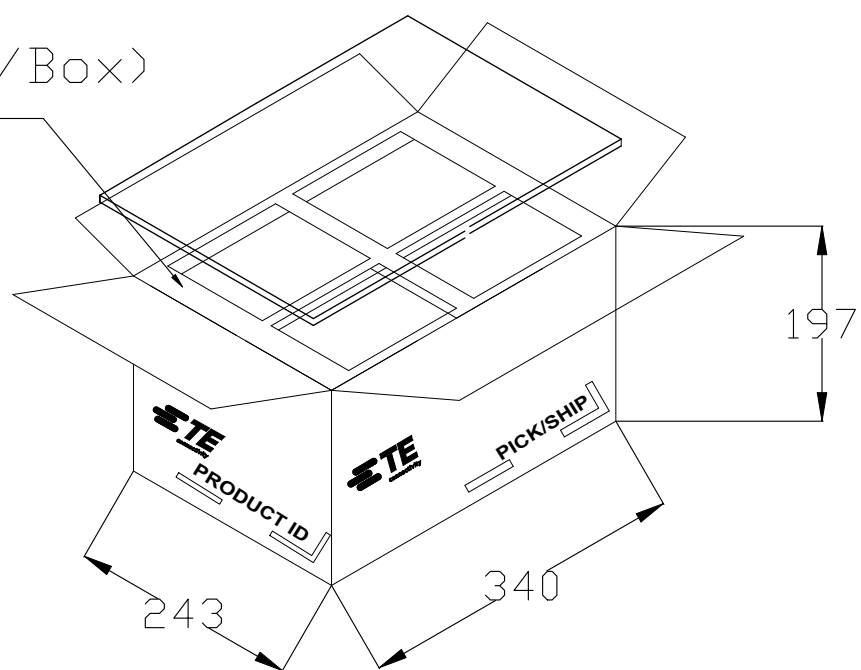
THIS DRAWING IS A CONTROLLED DOCUMENT.		DWN DC 03JUL2023		
DIMENSIONS: mm		CHK SJ 03JUL2023		
		APVD JH 03JUL2023		
TOLERANCES UNLESS OTHERWISE SPECIFIED:		NAME	NFC ANT, HRS, 28AWG, 13.56HMZ	
0 PLC ± -		PRODUCT SPEC	-	
1 PLC ± -		APPLICATION SPEC	-	
2 PLC ± -		SIZE	CAGE CODE	DRAWING NO
3 PLC ± -		0	A300779	C=L000644
4 PLC ± -		WEIGHT	RESTRICTED TO	
ANGLES ± -		-	-	
FINISH		CUSTOMER DRAWING		
-		SCALE	SHEET	REV
		1:1	1 OF 2	A

REVISIONS					
P	LTR	DESCRIPTION	DATE	DWN	APVD
-	-	SEE SHEET 1	-	-	-

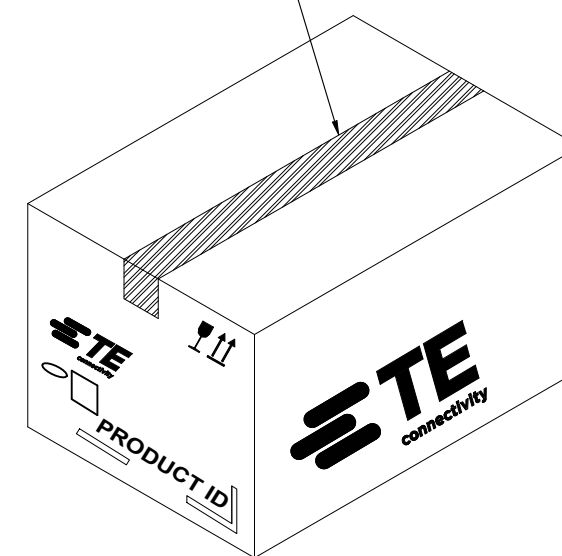


50pcs/Bag

<1000PCS/Box>



Adhesive tape



THIS DRAWING IS A CONTROLLED DOCUMENT.		DWN DC	03JUL2023	TE Connectivity	
DIMENSIONS: mm		CHK SJ	03JUL2023		
		APVD JH	03JUL2023		
TOLERANCES UNLESS OTHERWISE SPECIFIED:		PRODUCT SPEC		NAME NFC ANT, HRS, 28AWG, 13.56HMZ	
0 PLC ± - 1 PLC ± - 2 PLC ± - 3 PLC ± - 4 PLC ± - ANGLES ± -		APPLICATION SPEC		RESTRICTED TO	
MATERIAL		WEIGHT		SIZE	CAGE CODE
-		0		A3	00779
FINISH		CUSTOMER DRAWING		DRAWING NO	REV
-		SCALE		1:1	A
		SHEET		2 OF 2	