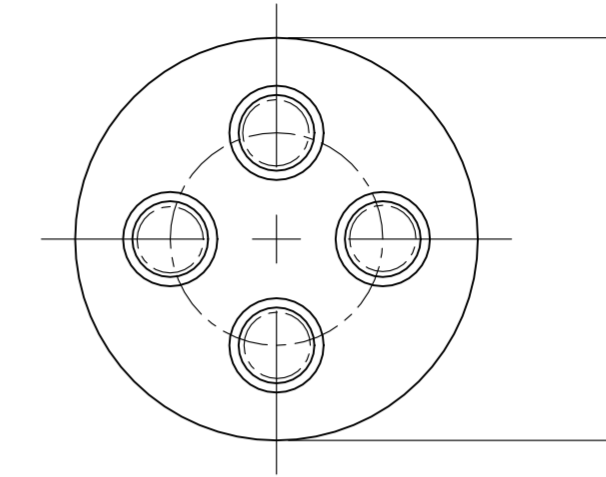
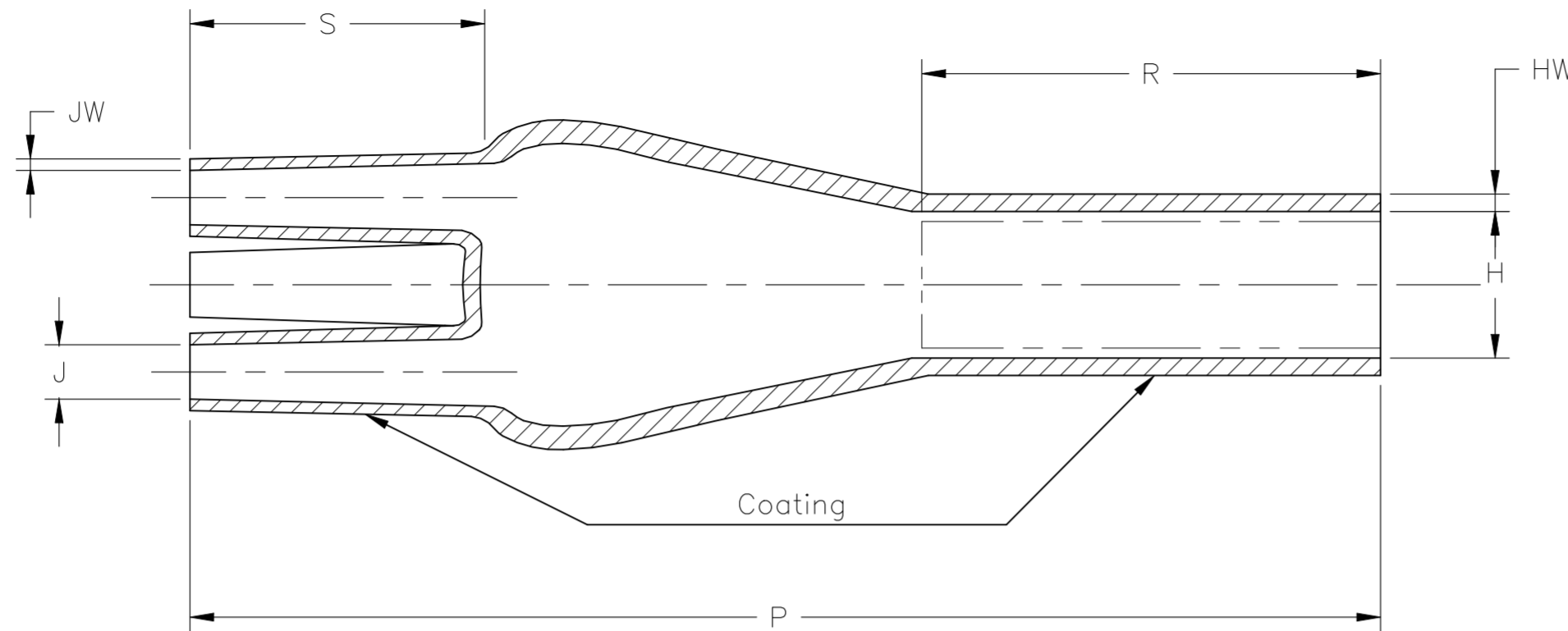


P	LTR	DESCRIPTION	DATE	DWN	APVD
1		NEW RELEASE	12AUG2024	MI	AM



PRODUCT SIZE	NUMBER OF CORES	H		J		P	R	S	Q	HW	JW
		a	b	a	b						
		min	max	min	max	+/-10%	+/-10%	+/-10%	+/-10%	+/-20%	+/-20%
CBR-2-1-A	2	28	9.2	15	4.1	90	-	25	15	3.2	1.6
CBR-2-2-A	2	48	32	22	7	172	-	70	34	2	2
CBR-2-3-A	2	86	42	40	17	200	-	75	45	2.5	2.5
CBR-3-1-A	3	38	13	16	4.2	103	45	28	22	2.7	1.5
CBR-3-2-A	3	63	22	26	9	180	85	40	35	3.5	1.5
CBR-3-3-A	3	95	28	44	13	205	90	45	42	3.5	2.5
CBR-3-4-A	3	170	60	60	30	252	90	66	85	4.2	2.6
CBR-4-1-A	4	45	16.5	14	3.4	98	71	25	-	2.5	1.9
CBR-4-2-A	4	75	25	25	9	217	100	44	50	3.5	2
CBR-4-3-A	4	100	31	40	13.5	223	103	51	50.4	3.5	2.5
CBR-4-4-A	3+1*	170	60	50*	23*	255	90	65	109	4	3.5
*One of 4 outlets dim=43/19											
CBR-6-1-A	3+3*	114	35	44.7	14	210	-	51	-	4	2
*Three of 6 outlets dim=22.8/7											
CBR-6-2-A	3+3*	152	63.5	62	20	230	-	70	-	4	2
*Three of 6 outlets dim=28.4/9											

NOTES:

1. MATERIAL: JACKET - CROSS LINKED POLYOLEFIN BASED, COLOR: BLACK
2. a = AS SUPPLIED, b = AFTER FREE RECOVERY
3. DRAWING DEPICTS TYPICAL 4-CORE PART ONLY

THIS DRAWING IS A CONTROLLED DOCUMENT.		DWN	12AUG2024		TE Connectivity		
DIMENSIONS: mm		CHK	12AUG2024		NAME		
		APVD	12AUG2024		CABLE BREAKOUTS		
TOLERANCES UNLESS OTHERWISE SPECIFIED:		PRODUCT SPEC		-			
0 PLC ± -		APPLICATION SPEC		-			
1 PLC ± -		WEIGHT	-	SIZE	CAGE CODE	DRAWING NO	RESTRICTED TO
2 PLC ± -				A2	00779	C=LV_CA_HS_CBR	-
3 PLC ± -		CUSTOMER DRAWING		SCALE	SHEET	REV	
4 PLC ± -				1:1	1 OF 1	1	
ANGLES ± -							
FINISH							