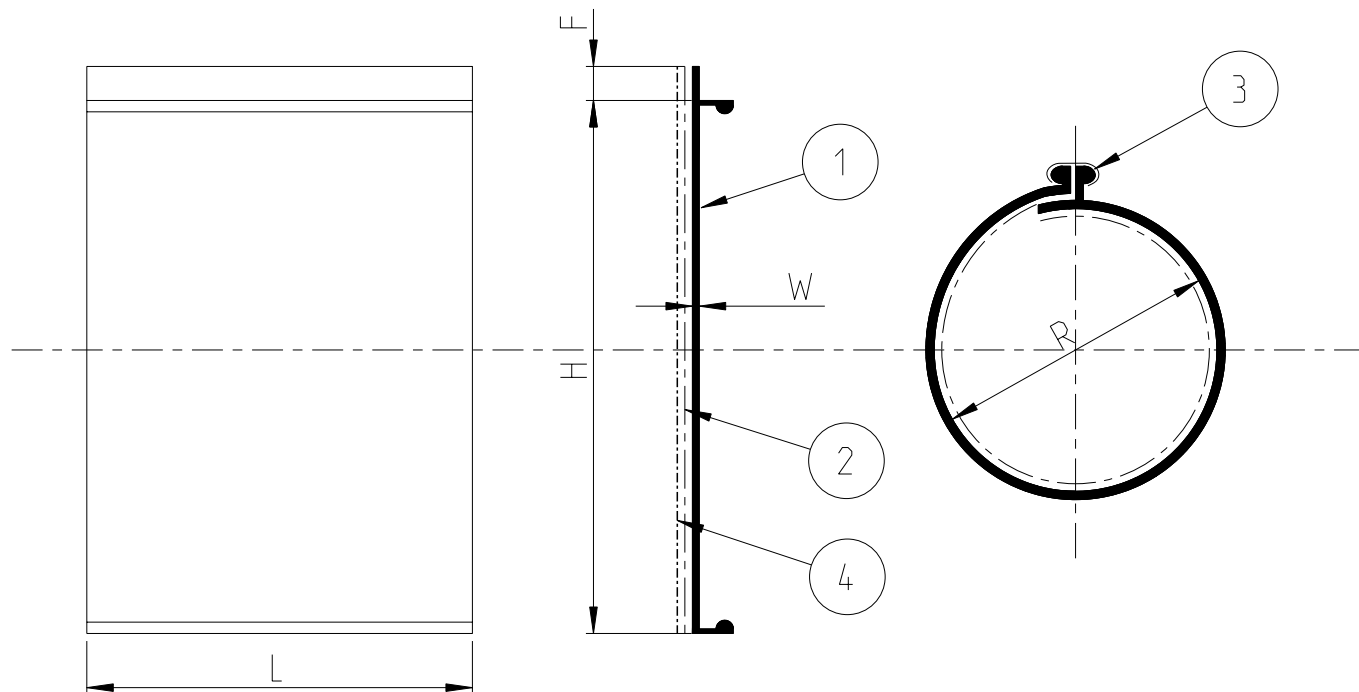


REVISIONS

P	LTR	DESCRIPTION	DATE	DWN	APVD
	A	INITIAL RELEASE	21SEP2022	JG	NV
	B	ECR-23-*	19JUN2023	AN	VR



NOTES

1. DIMENSIONS IN mm. a = AS SUPPLIED, b = AFTER FREE RECOVERY
2. HOTMELT SEALANT CODE: /S COLOR: YELLOW
3. STANDARD LENGTHS L (mm): 250, 500, 750, 1000, 1200 and 1500. OTHER CUT LENGTHS AVAILABLE UNDER REQUEST.
4. MAXIMUM LONGITUDINAL CHANGE AFTER FREE RECOVERY: -5%/+10%  
STANDARD CUT LENGTH TOLERANCES:

- ± 5 mm (L ≤ 250)
- ± 10 mm (L > 250)
- ± 15 mm (L > 500)

5. STANDARD PRINTING:  
TE RAYCHEM CRSM + PRODUCT SIZE + BATCH NUMBER

ITEM	DESCRIPTION	MATERIAL
1	HEATSHRINK SLEEVE	CROSSLINKED POLYOLEFINE BASED
2	HOTMELT ADHESIVE	POLYAMIDE BASED
3	CLOSURE SYSTEM	STAINLESS STEEL
4	REMOVABLE PROTECTIVE FOIL	PE

PRODUCT SIZE	APPLICATION RANGE R		H	F	W
	MIN	MAX	a min	a min	b min
34/10	11	27	120	12	2.0
53/13	17	43	165	25	2.0
84/20	24	68	260	34	2.0
107/29	32	86	340	34	2.0
143/36	39	115	460	34	1.8
198/55	60	160	700	34	1.8
250/98	105	200	820	34	1.8



PRODUCT SPEC-108-160644

THIS DRAWING IS A CONTROLLED DOCUMENT.		DWN	J GODWIN	08NOV2022	 TE Connectivity NAME CRSM REINFORCED WRAPAROUND SLEEVES											
DIMENSIONS: mm		CHK	N VINEEL RAJAN	08NOV2022												
TOLERANCES UNLESS OTHERWISE SPECIFIED:		APVD	N VINEEL RAJAN	08NOV2022												
<table border="1"> <tr><td>0 PLC</td><td>±</td></tr> <tr><td>1 PLC</td><td>±0.5</td></tr> <tr><td>2 PLC</td><td>±0.13</td></tr> <tr><td>3 PLC</td><td>±0.013</td></tr> <tr><td>4 PLC</td><td>±0.0001</td></tr> <tr><td>ANGLES</td><td>±</td></tr> </table>		0 PLC	±	1 PLC		±0.5	2 PLC	±0.13	3 PLC	±0.013	4 PLC	±0.0001	ANGLES	±	PRODUCT SPEC	-
0 PLC	±															
1 PLC	±0.5															
2 PLC	±0.13															
3 PLC	±0.013															
4 PLC	±0.0001															
ANGLES	±															
MATERIAL		FINISH	-	-	APPLICATION SPEC	-										
-		WEIGHT	-	-	SIZE	A3										
-		CUSTOMER DRAWING	-	-	CAGE CODE	00779										
		SCALE	5:1	SHEET	1 OF 1	REV										
						B										

ORDERING INFORMATION:

CRSM - 34/10 - 1000 /S (S5)

PRODUCT FAMILY  
SIZE  
LENGTH IN MM  
HOTMELT SEALANT  
PACKAGING PER X PIECES (SX)