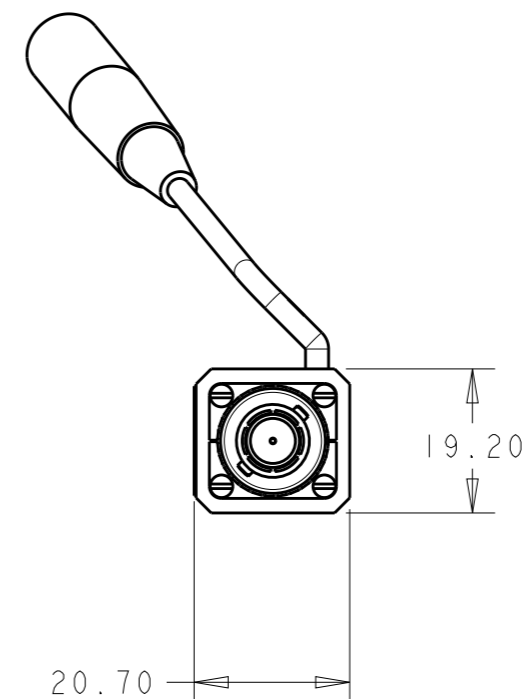
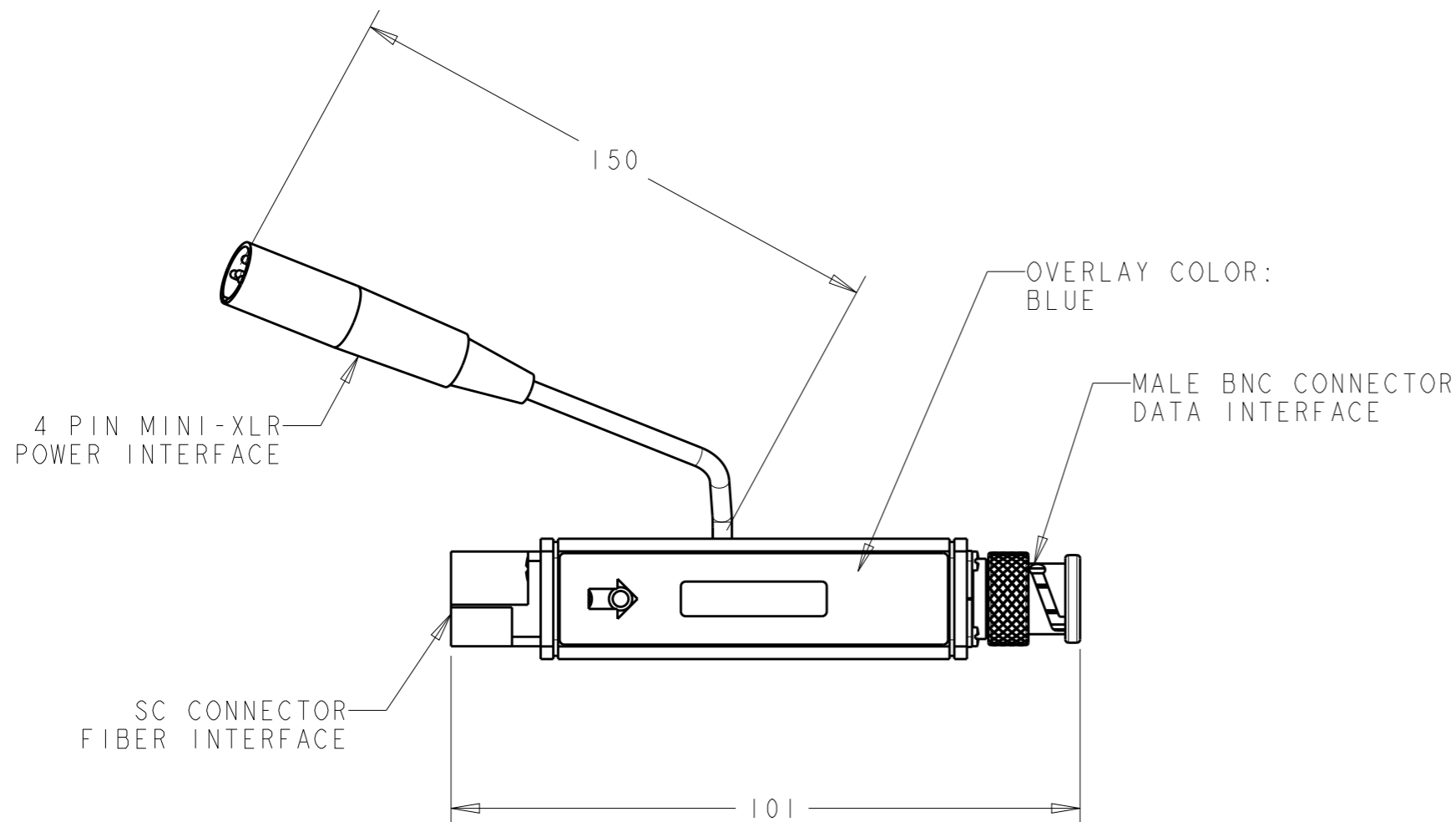


- 1 DIMENSIONS ARE FOR REFERENCE ONLY.
- 2 MATERIAL:
ENCLOSURE: ALUMINUM ALLOY
CONNECTORS: VARIOUS
OVERLAY: POLYESTER
- 3 THIS PRODUCT IS RoHS COMPLIANT.

REVISIONS					
P	LTR	DESCRIPTION	DATE	DWN	APVD
	A	INITIAL	14NOV2018	BP	-



THIS DRAWING IS A CONTROLLED DOCUMENT.		DWN B. PIPER	14NOV2018		
DIMENSIONS: mm		CHK -	APVD -		
		TOLERANCES UNLESS OTHERWISE SPECIFIED:		NAME 3G MC2 BNC-SC PIN Pre-Amp 1260-1620nm RX	
MATERIAL -		FINISH -		PRODUCT SPEC -	APPLICATION SPEC -
				SIZE A3	CAGE CODE 00779
				DRAWING NO G-MC2-R-P-2-SC	
				RESTRICTED TO -	
		CUSTOMER DRAWING		SCALE 1:1	SHEET 1 OF 1
				REV A	