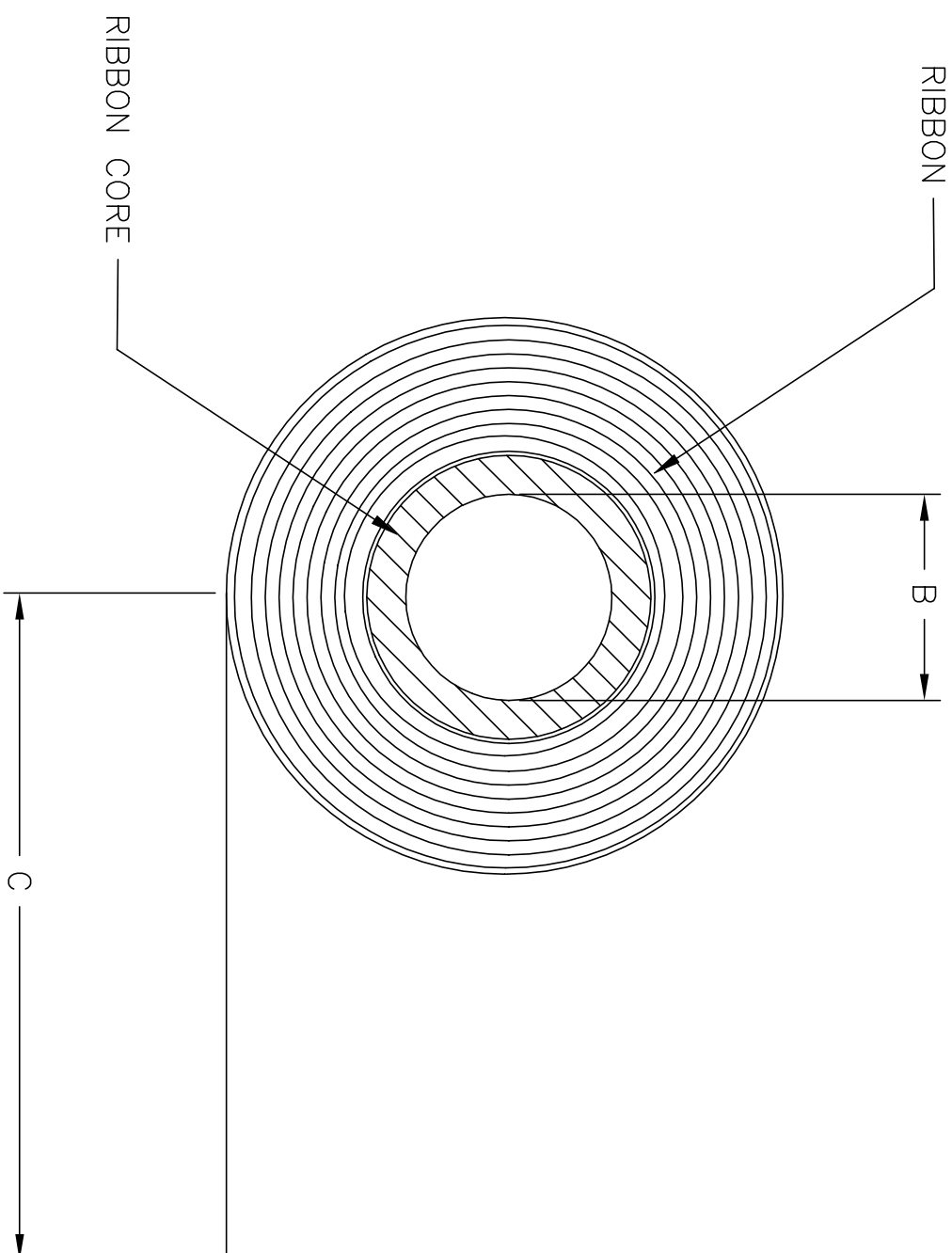


REVISIONS

P	LTR	DESCRIPTION	DATE	DMN	APVD
1		INITIAL CUSTOMER DRAWING	20MAR2020	IR	LS



Thermal Transfer Ribbon Dimensions	
Dimension A	Ribbon Width
Dimension B	Core Inside Diameter
Dimension C	Ribbon Length

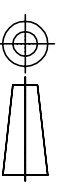
SEE TTDS-257
SEE TTDS-257
SEE TTDS-257

THIS DRAWING IS A CONTROLLED DOCUMENT.

DIMENSIONS: mm TOLERANCES UNLESS OTHERWISE SPECIFIED:

0 PLC	± -
1 PLC	± -
2 PLC	± -
3 PLC	± -
4 PLC ANGLES	± -
FINISH	-

MATERIAL TT RIBBON



DMN	16MAR2020
IR	18MAR2020
CHK	AFK
APVD	20MAR2020
LS	
PRODUCT SPEC	TTDS-257
APPLICATION SPEC	
WEIGHT	VARIOUS
CUSTOMER DRAWING	



TE Connectivity

THERMAL TRANSFER RIBBONS

NAME	SIZE	CAGE CODE	DRAWING NO	RESTRICTED TO
	A3	-	MCD-200016	-
SCALE	SHEET	REV		
	1 of 1	1		