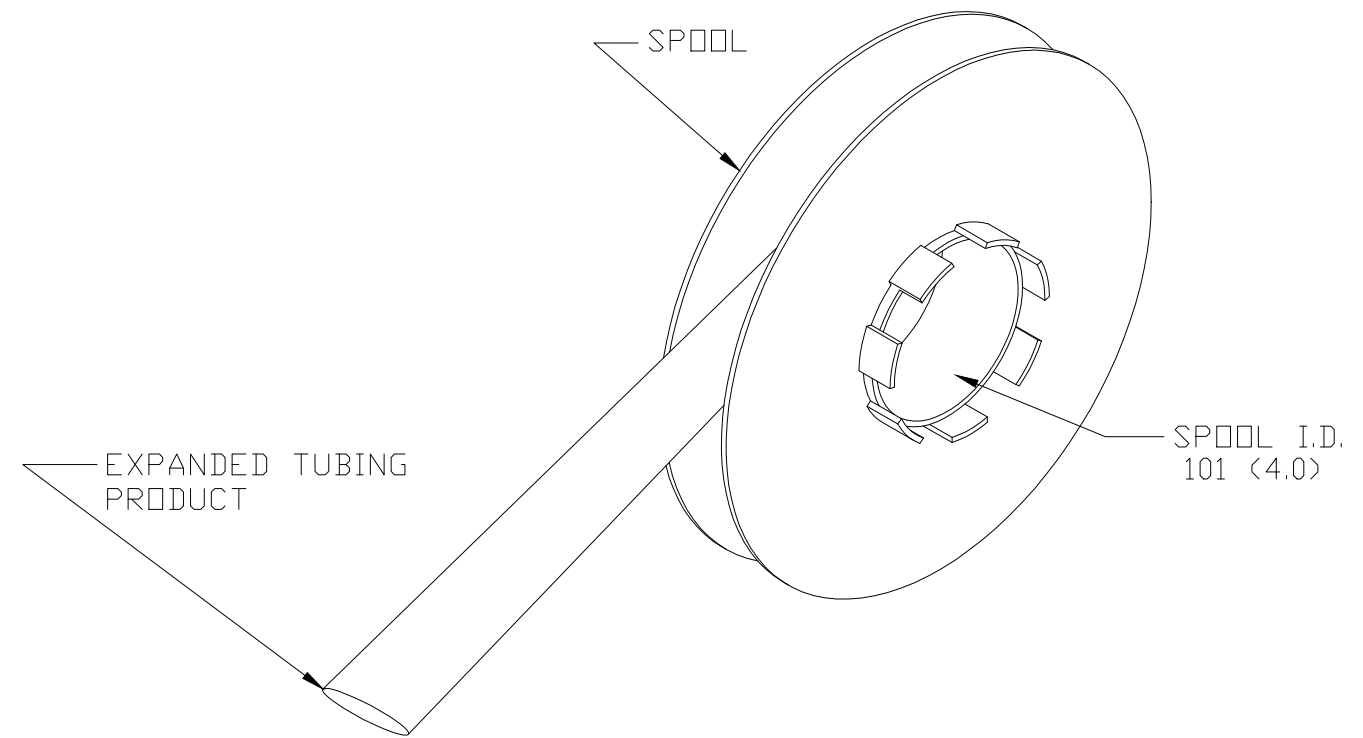
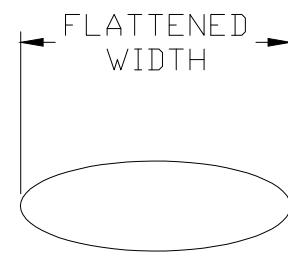


THIS DRAWING IS UNPUBLISHED. RELEASED FOR PUBLICATION
 © COPYRIGHT - TE Connectivity Ltd. ALL RIGHTS RESERVED.

REVISIONS					
P	LTR	DESCRIPTION	DATE	DWN	APVD
	E	CREATION OF CUSTOMER DRAWING	15OCT2018	AFK	LS



Product Size	2.4	3.2	4.8	6.4	9.5	12.7	19.0	25.4	38.1	50.8	60.0
Minimum Supplied I.D.	2.38 (.093)	3.18 (.125)	4.75 (.187)	6.35 (.250)	9.53 (.375)	12.70 (.500)	19.05 (.750)	25.40 (1.00)	38.10 (1.50)	50.80 (2.00)	57.3 (2.257)
Maximum Recovered I.D.	0.79 (.031)	1.06 (.042)	1.57 (.062)	2.11 (.083)	3.17 (.125)	4.21 (.166)	6.35 (.250)	8.45 (.333)	19.05 (.750)	25.40 (1.00)	19.05 (.750)
Recovered Wall Thickness ±0.08 (.003)	0.58 (.023)	0.58 (.023)	0.58 (.023)	0.58 (.023)	0.61 (.024)	0.61 (.024)	0.61 (.024)	0.64 (.025)	0.51 (.020)	0.64 (.025)	0.76 (.030)
Minimum Sleeve Flattened Width	4.45 (.18)	5.84 (.23)	8.00 (.32)	10.7 (.42)	15.5 (.61)	20.4 (.803)	30.5 (1.20)	40.4 (1.59)	60.3 (2.373)	80.0 (3.15)	89.0 (3.50)

NOTES:

1. ALL DIMENSIONS ARE IN MILLIMETERS (inches).

THIS DRAWING IS A CONTROLLED DOCUMENT.		DWN AFK	12OCT2018	TE Connectivity		
DIMENSIONS: mm		CHK -	-			
		TOLERANCES UNLESS OTHERWISE SPECIFIED:		NAME TTMS PRODUCT		
		0 PLC	± -	APVD LS	15OCT2018	
		1 PLC	± -	PRODUCT SPEC RW-2511		
		2 PLC	± -	APPLICATION SPEC		
		3 PLC	± -	SIZE A3		
		4 PLC	± -	CAGE CODE -		
		ANGLES	± -	DRAWING NO C-MCD170000		
MATERIAL CROSSLINKED POLYOLEFIN		FINISH -	-	RESTRICTED TO -		
CUSTOMER DRAWING				WEIGHT -	SCALE 1:1	SHEET 1 OF 1
				REV E		