

THIS DRAWING IS UNPUBLISHED.

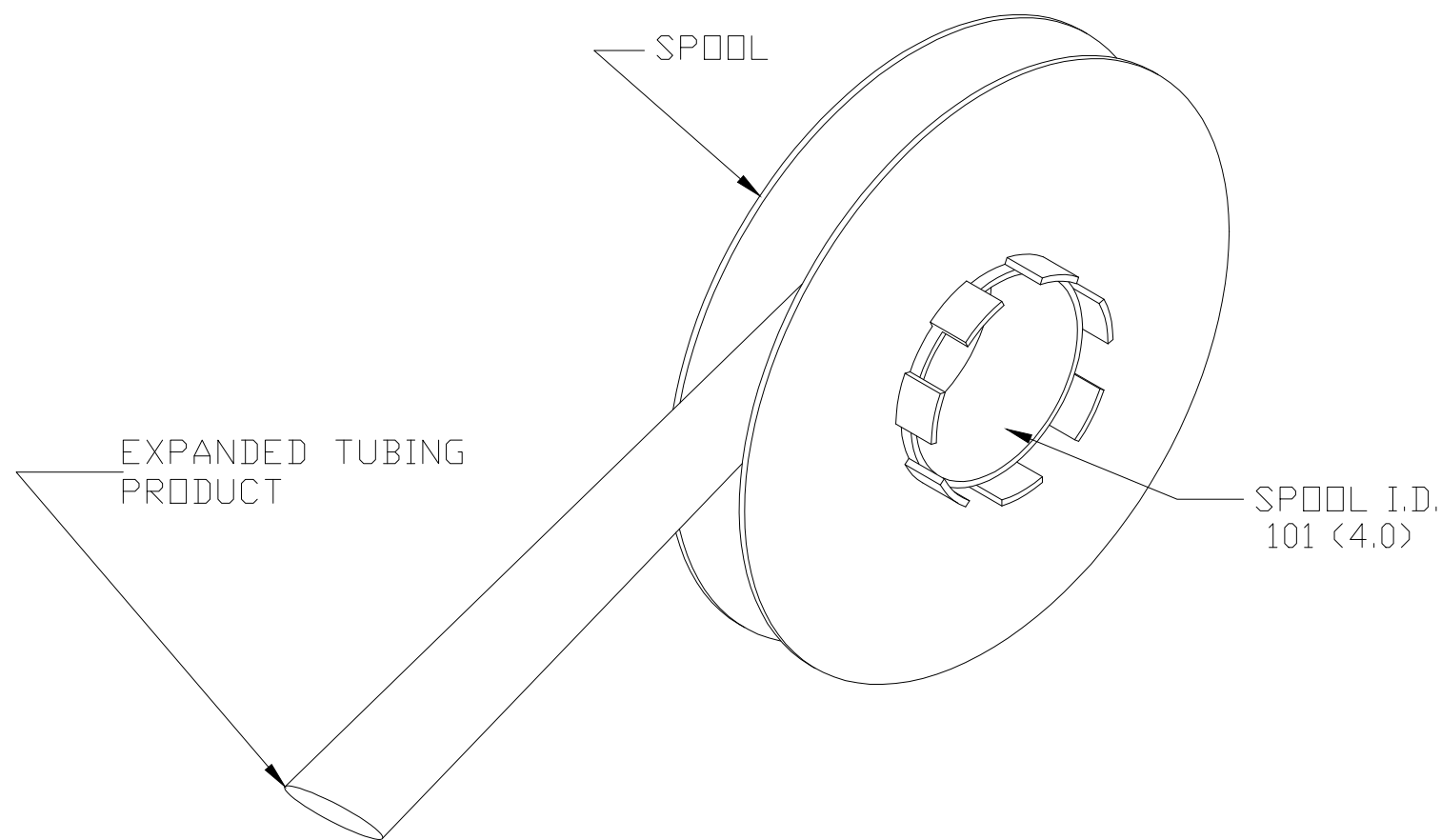
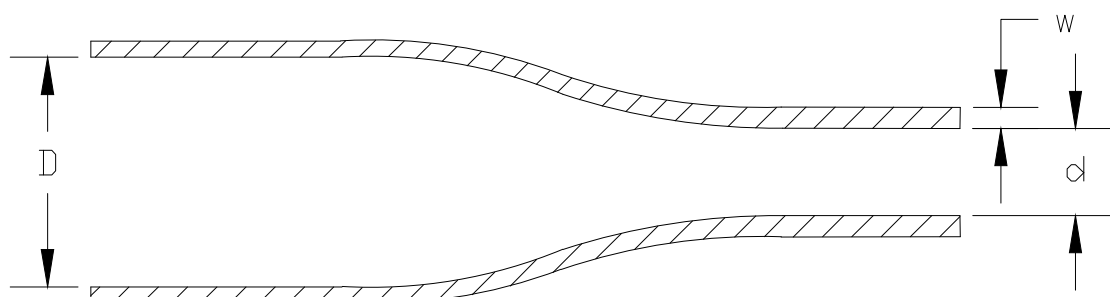
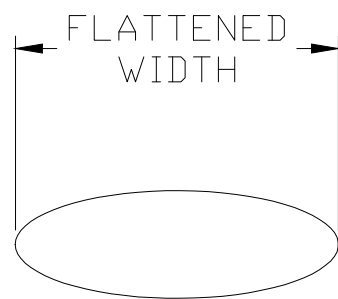
RELEASED FOR PUBLICATION

ALL RIGHTS RESERVED.

© COPYRIGHT 2020 TE Connectivity Ltd.

REVISIONS

P	LTR	DESCRIPTION	DATE	DWN	APVD
	B	INITIAL CUSTOMER DRAWING	30JAN2020	AFK	LS



Product Size	2.4	3.2	4.8	6.4	9.5	12.7	19.0	25.4	38.1
"D" Minimum Supplied I.D.	2.40 (.094)	3.20 (.126)	4.80 (.187)	6.35 (.250)	9.5 (.374)	12.7 (.500)	19.05 (.750)	25.4 (1.00)	38.1 (1.50)
"d" Maximum Recovered I.D.	1.19 (.047)	1.60 (.063)	2.40 (.094)	3.20 (.126)	4.80 (.189)	6.40 (.250)	9.50 (.374)	12.7 (.500)	19.05 (.750)
"w" Recovered Wall Thickness	0.50±0.10 (.020±.004)	0.50±0.10 (.020±.004)	0.51±0.11 (.020±.004)	0.65±0.15 (.026±.006)	0.65±0.15 (.026±.006)	0.65±0.15 (.026±.006)	0.75±0.15 (.030±.006)	0.90±0.15 (.035±.006)	1.00±0.20 (.039±.008)
Minimum Sleeve Flattened Width	4.90 (.193)	6.50 (.256)	8.90 (.350)	11.0 (.430)	15.7 (.618)	20.7 (.815)	30.7 (1.209)	41.1 (1.620)	61.0 (2.40)

NOTES:

1. ALL DIMENSIONS ARE IN MILLIMETERS (inches).

THIS DRAWING IS A CONTROLLED DOCUMENT.		DWN AFK	30JAN2020	TE Connectivity	
		CHK -	-		
DIMENSIONS: mm		TOLERANCES UNLESS OTHERWISE SPECIFIED:		APVD LS 30JAN2020 NAME ZHD-CT OUTSIDE PRINTER SPOOL	
		0 PLC ± - 1 PLC ± - 2 PLC ± - 3 PLC ± - 4 PLC ± - ANGLES ± -		PRODUCT SPEC RW-2536	
MATERIAL CROSSLINKED POLYOLEFIN		FINISH -		APPLICATION SPEC -	
		WEIGHT VARIOUS		SIZE A3	CAGE CODE 0198G
		CUSTOMER DRAWING		DRAWING NO C-MCD170008	RESTRICTED TO -
				SCALE -	SHEET 1 OF 1
				REV B	