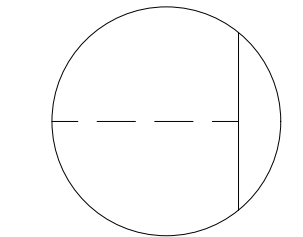
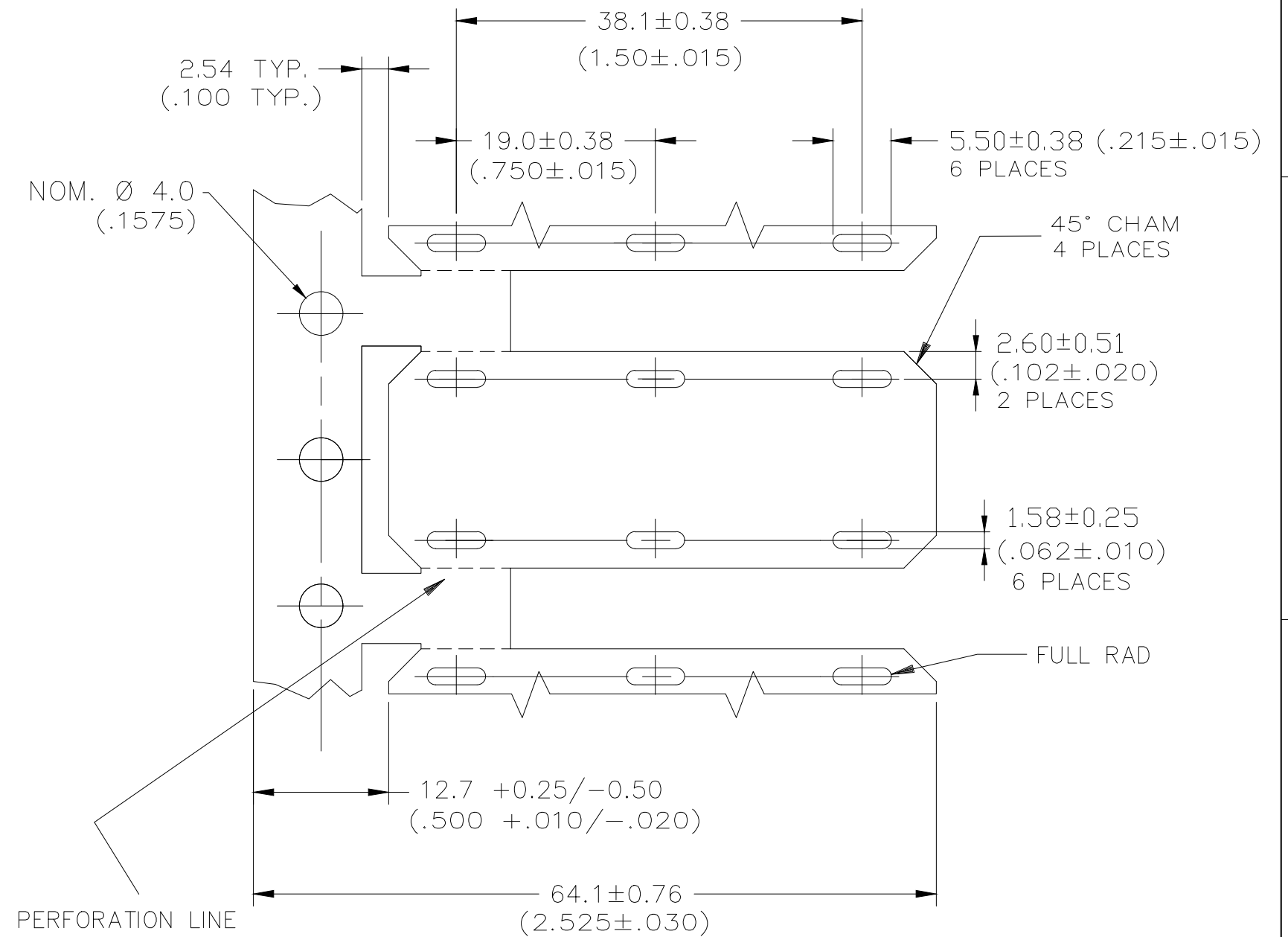
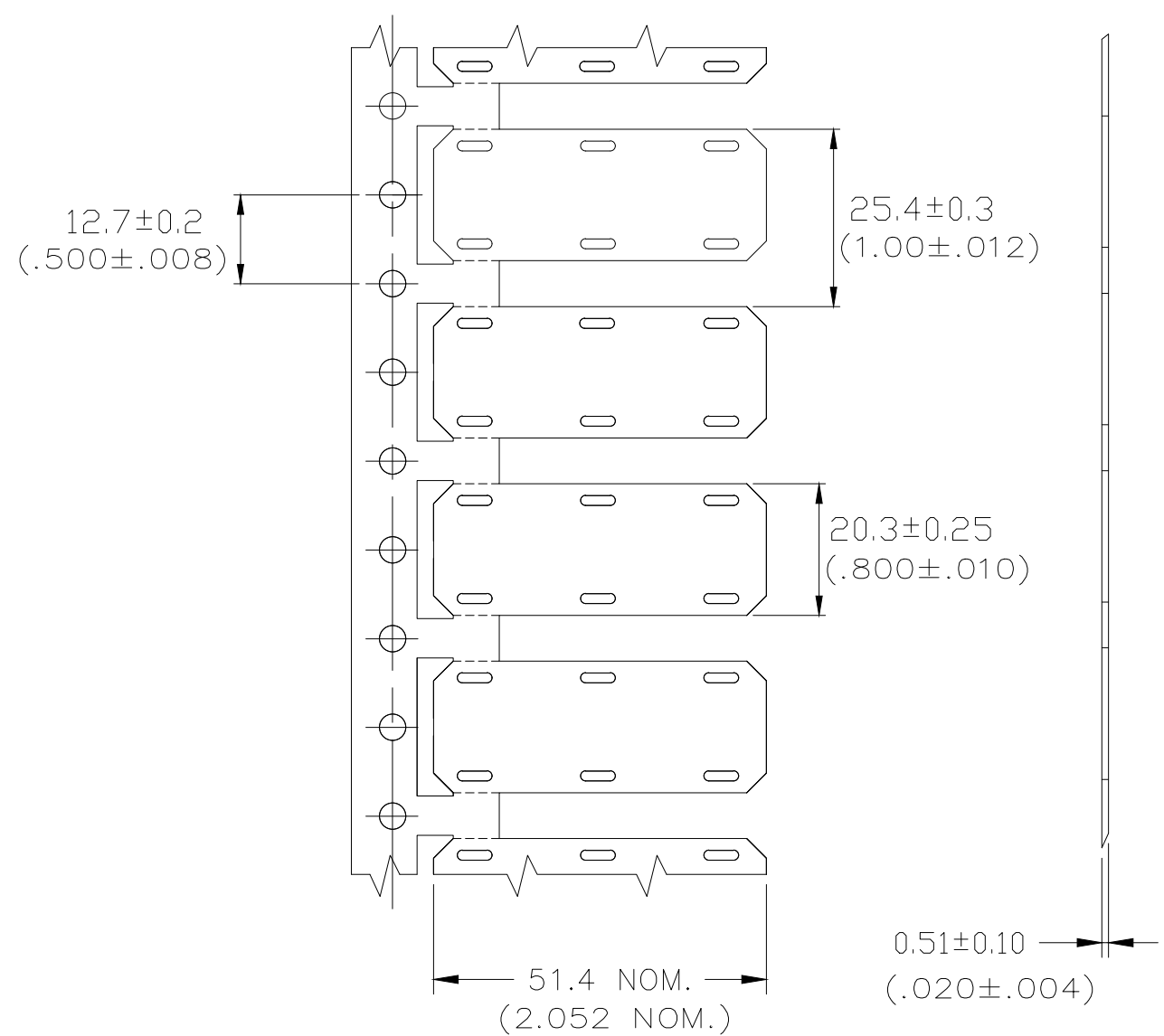


REVISIONS					
P	LTR	DESCRIPTION	DATE	DWN	APVD
	C	INITIAL CUSTOMER DRAWING	23MAR2020	AFK	LS



THIS DRAWING IS A CONTROLLED DOCUMENT.		DWN AFK	20MAR2020	STE TE Connectivity	
		CHK -	-		
DIMENSIONS: mm		TOLERANCES UNLESS OTHERWISE SPECIFIED:		NAME CM-SCE-TP-1/2-6H	
		0 PLC ± -		PRODUCT SPEC RW-2513	
		1 PLC ± -		APPLICATION SPEC 411-121000	
MATERIAL CROSSLINKED POLYOLEFIN		2 PLC ± -		SIZE A3	CAGE CODE 0198G
		3 PLC ± -		DRAWING NO C-MCD99011	
		4 PLC ± -		RESTRICTED TO -	
		ANGLES ± -		SCALE ---	
		FINISH -		SHEET 1 OF 1	
		CUSTOMER DRAWING		REV C	