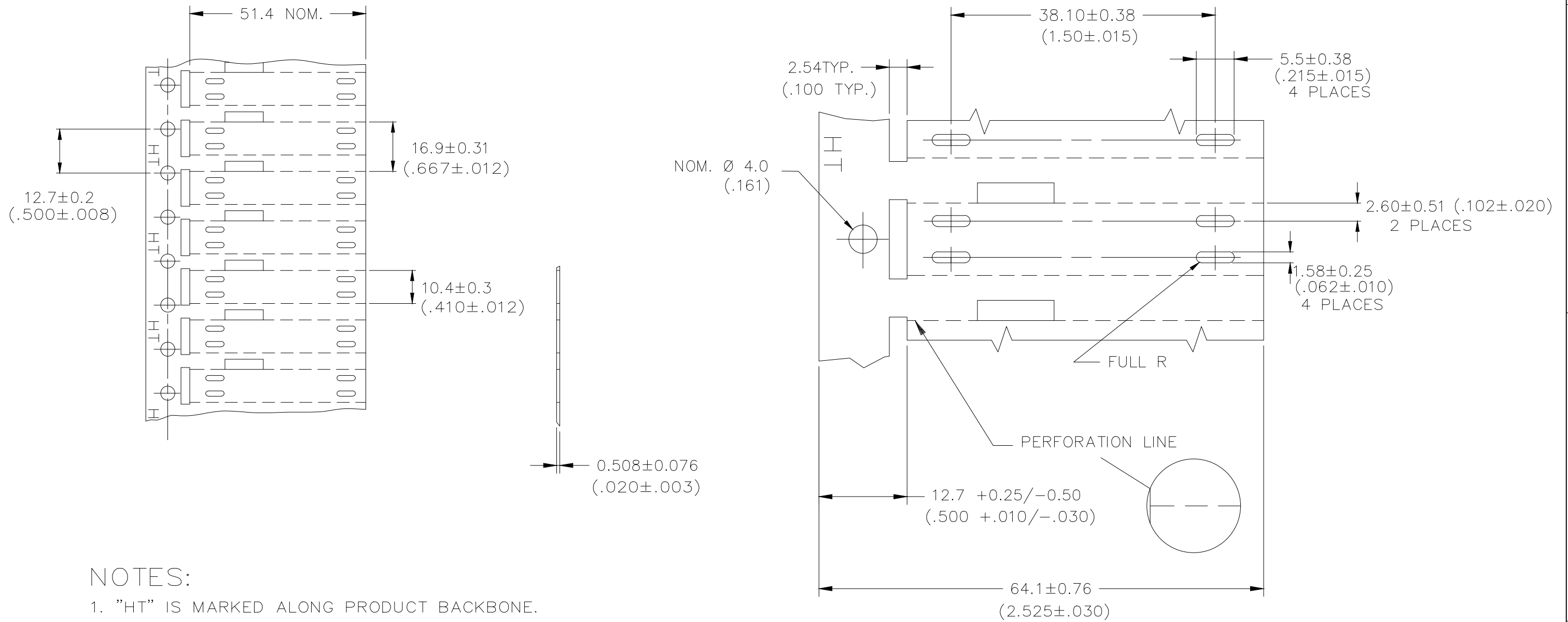

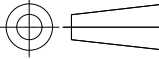


P	LTR	DESCRIPTION	DATE	DWN	APVD
	C	INITIAL CUSTOMER DRAWING	08APR2020	AFK	LS



NOTES:

- "HT" IS MARKED ALONG PRODUCT BACKBONE.
- "HT" MARK IS APPROX 25.4 (1.00) INTERVALS.

THIS DRAWING IS A CONTROLLED DOCUMENT.		DWN AFK	08APR2020	 TE Connectivity	
		CHK -	-		
DIMENSIONS: mm	TOLERANCES UNLESS OTHERWISE SPECIFIED:	APVD LS	08APR2020	NAME HTCM-SCE-TP-1/4-4H	
	0 PLC ± -	PRODUCT SPEC		-	
	1 PLC ± -	RW-2524		-	
	2 PLC ± -	APPLICATION SPEC		-	
	3 PLC ± -	411-121000		SIZE	CAGE CODE
	4 PLC ± -	WEIGHT 1.5g NOM.		A3	0198G
	ANGLES ± -	CUSTOMER DRAWING		DRAWING NO C=MCD99014	
MATERIAL CROSSLINKED PVdF	FINISH -			RESTRICTED TO -	
				SCALE ---	SHEET 1 OF 1
				REV C	