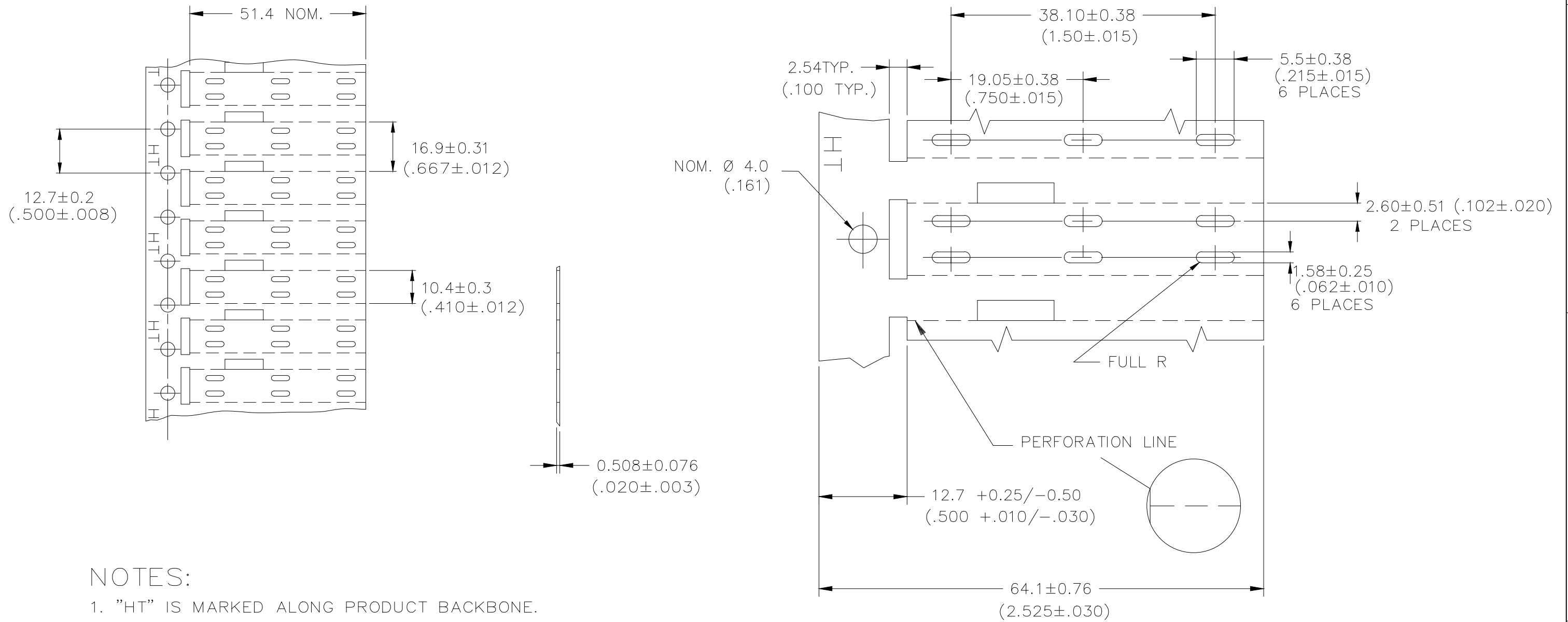

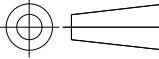


P	LTR	DESCRIPTION	DATE	DWN	APVD
	A	INITIAL CUSTOMER DRAWING	14APR2020	AFK	LS



NOTES:

- "HT" IS MARKED ALONG PRODUCT BACKBONE.
- "HT" MARK IS APPROX 25.4 (1.00) INTERVALS.

THIS DRAWING IS A CONTROLLED DOCUMENT.		DWN AFK	14APR2020	 TE Connectivity	
		CHK -	-		
DIMENSIONS: mm	TOLERANCES UNLESS OTHERWISE SPECIFIED:	APVD LS	14APR2020	NAME HTCM-SCE-TP-1/4-6H	
	0 PLC ± - 1 PLC ± - 2 PLC ± - 3 PLC ± - 4 PLC ± - ANGLES ± -	PRODUCT SPEC RW-2524			
MATERIAL CROSSLINKED PVdF	FINISH -	APPLICATION SPEC 411-121000	WEIGHT 1.5g NOM.	SIZE A3	CAGE CODE 0198G
		CUSTOMER DRAWING		DRAWING NO C=MCD99020	RESTRICTED TO -
				SCALE ---	SHEET 1 OF 1
				REV A	