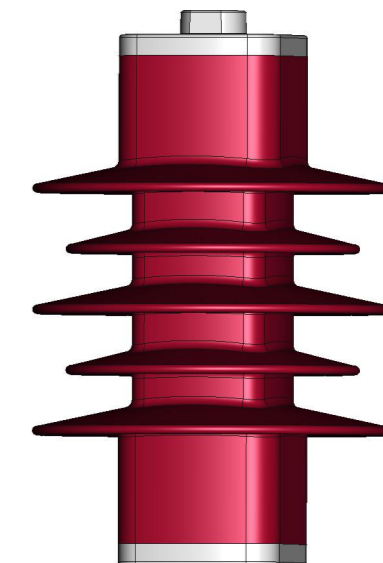
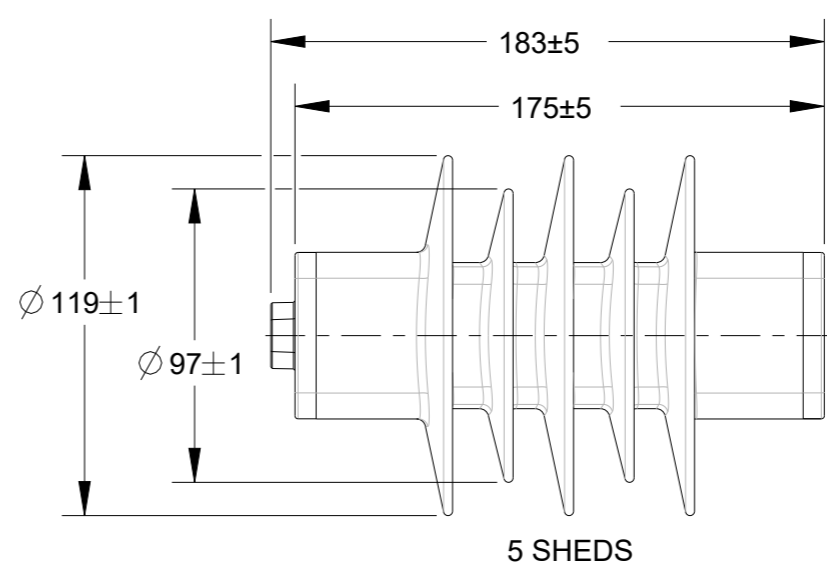
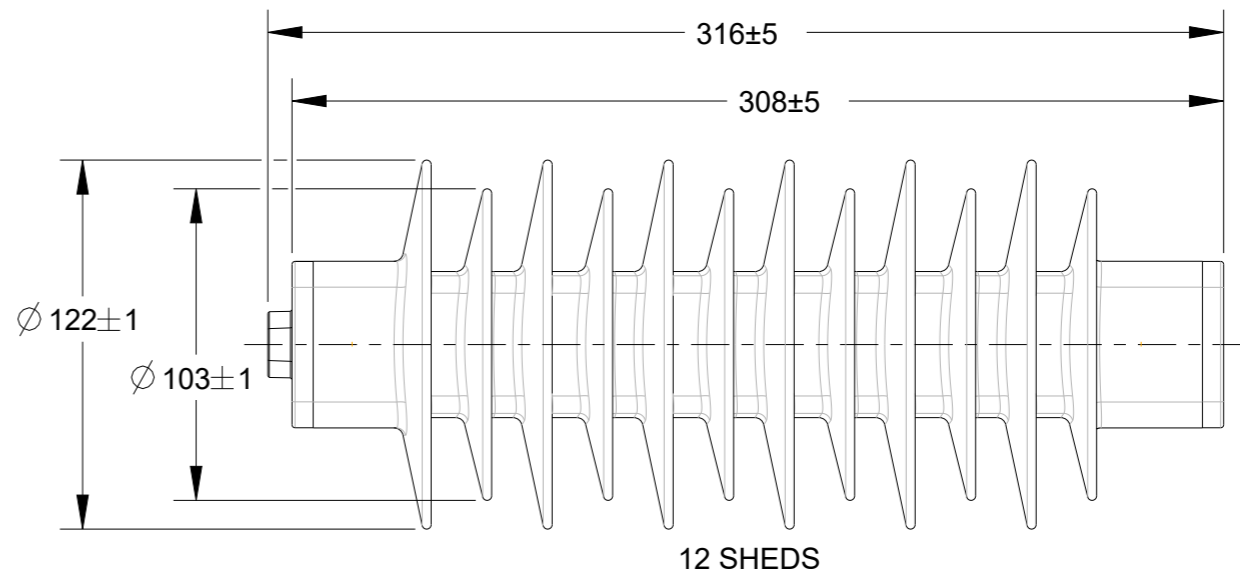
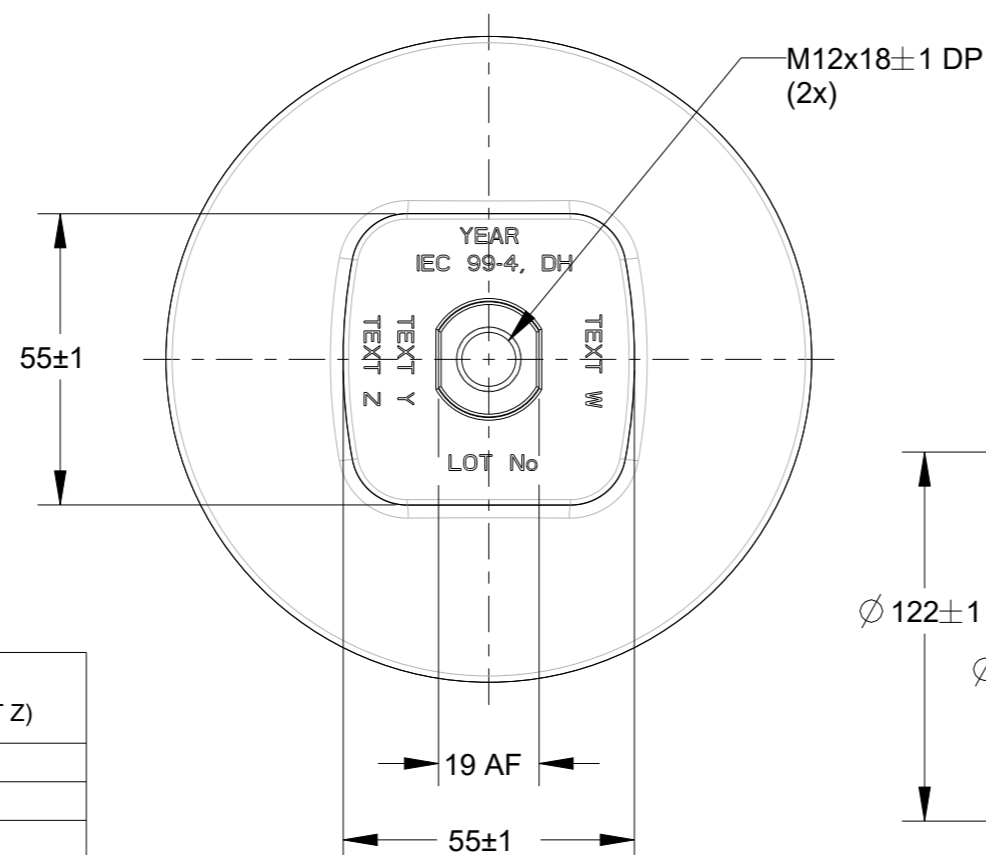


REVISIONS					
P	LTR	DESCRIPTION	DATE	DWN	APVD
	C	REDRAWN IN CREO	12MAY2022	VF	EFG
	C1	REVISED	21JUN2022	VF	EFG
	D	REVISED	11JUN2024	VF	EFG



No. SHEDS	CREEPAGE LENGTH (mm)	FLASHOVER DISTANCE (mm)
5	380	176
12	830	310

No. SHEDS	PRODUCT (TEXT W)	Uc (TEXT Y)	Ur (TEXT Z)
5	HDA-02MA-B3	Uc 2 kV	Ur 3 kV
	HDA-03MA-B3	Uc 3 kV	Ur 4 kV
	HDA-04MA-B3	Uc 4 kV	Ur 5.5 kV
	HDA-05MA-B3	Uc 5 kV	Ur 6.5 kV
	HDA-06MA-B3	Uc 6 kV	Ur 8 kV
	HDA-08MA-B3	Uc 8 kV	Ur 10 kV
	HDA-09MA-B3	Uc 9.6 kV	Ur 12 kV
	HDA-10MA-B3	Uc 10.4 kV	Ur 13 kV
	HDA-11MA-B3	Uc 11 kV	Ur 14 kV
	HDA-12MA-B3	Uc 12 kV	Ur 15 kV
	HDA-12MA-B3-252	Uc 12.8 kV	Ur 16 kV
	12	HDA-02LA-B3	Uc 2 kV
HDA-03LA-B3		Uc 3 kV	Ur 4 kV
HDA-04LA-B3		Uc 4 kV	Ur 5.5 kV
HDA-05LA-B3		Uc 5 kV	Ur 6.5 kV
HDA-06LA-B3		Uc 6 kV	Ur 8 kV
HDA-08LA-B3		Uc 8 kV	Ur 10 kV
HDA-09LA-B3		Uc 9.6 kV	Ur 12 kV
HDA-10LA-B3		Uc 10.4 kV	Ur 13 kV
HDA-11LA-B3		Uc 11 kV	Ur 14 kV
HDA-12LA-B3		Uc 12 kV	Ur 15 kV
HDA-12LA-B3-252		Uc 12.8 kV	Ur 16 kV
HDA-15MA-B3		Uc 15 kV	Ur 19 kV
HDA-16MA-B3	Uc 16 kV	Ur 20 kV	
HDA-17MA-B3	Uc 17 kV	Ur 21.5 kV	
HDA-18MA-B3	Uc 18 kV	Ur 22.5 kV	
HDA-19MA-B3	Uc 19 kV	Ur 24 kV	
HDA-19MA-B3-252	Uc 19.5 kV	Ur 24.5 kV	
HDA-20MA-B3	Uc 20 kV	Ur 25 kV	
HDA-21MA-B3	Uc 21 kV	Ur 26.5 kV	
HDA-22MA-B3	Uc 22 kV	Ur 27.5 kV	
HDA-24MA-B3	Uc 24 kV	Ur 30 kV	

- NOTES:
- 1- REFER TO TECHNICAL DATASHEETS FOR ALL OTHER PRODUCT DETAILS
  - 2- HOUSING PRINT:
 

TE
Raychem
MO Surge Arrester
Is 40kA
In 10kA
  - 3- STD STUD LENGTH 47±2. OTHER LENGTHS AVAILABLE
  - 4- ALL DIMENSIONS NOMINAL UNLESS SPECIFIED

THIS DRAWING IS A CONTROLLED DOCUMENT.		DWN 12MAY2022 V.FUZETTI		<b>TE</b> TE Connectivity											
DIMENSIONS: mm		CHK 12MAY2022 E.F.GASTALDI													
TOLERANCES UNLESS OTHERWISE SPECIFIED:		APVD 12MAY2022 E.F.GASTALDI		NAME <b>MV SURGE ARRESTER HDA-MA-B3 RANGE</b>											
<table border="0"> <tr><td>0 PLC</td><td>±</td></tr> <tr><td>1 PLC</td><td>±</td></tr> <tr><td>2 PLC</td><td>±</td></tr> <tr><td>3 PLC</td><td>±</td></tr> <tr><td>4 PLC</td><td>±</td></tr> <tr><td>ANGLES</td><td>±</td></tr> </table>		0 PLC	±			1 PLC	±	2 PLC	±	3 PLC	±	4 PLC	±	ANGLES	±
0 PLC	±														
1 PLC	±														
2 PLC	±														
3 PLC	±														
4 PLC	±														
ANGLES	±														
MATERIAL		APPLICATION SPEC		SIZE CAGE CODE DRAWING NO RESTRICTED TO											
-		-		A3 00779 C-MV-HDAMA-01264-C -											
CUSTOMER DRAWING				SCALE NTS SHEET 1 OF 1 REV D											