

4

3

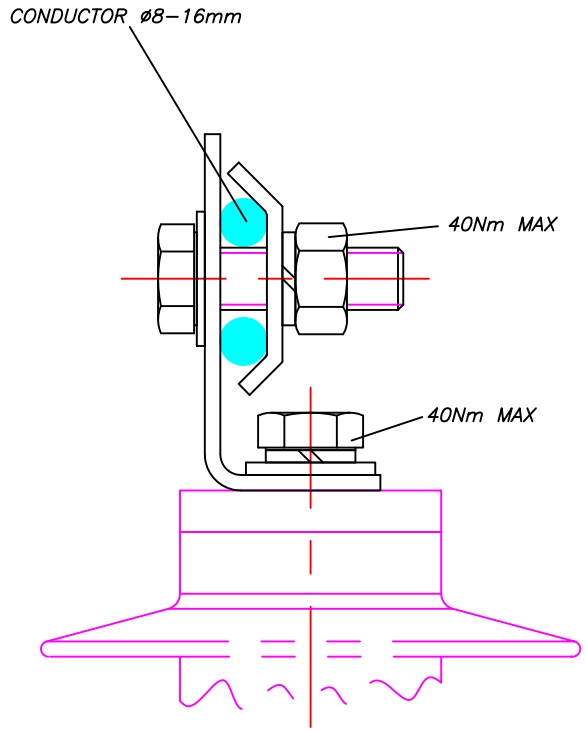
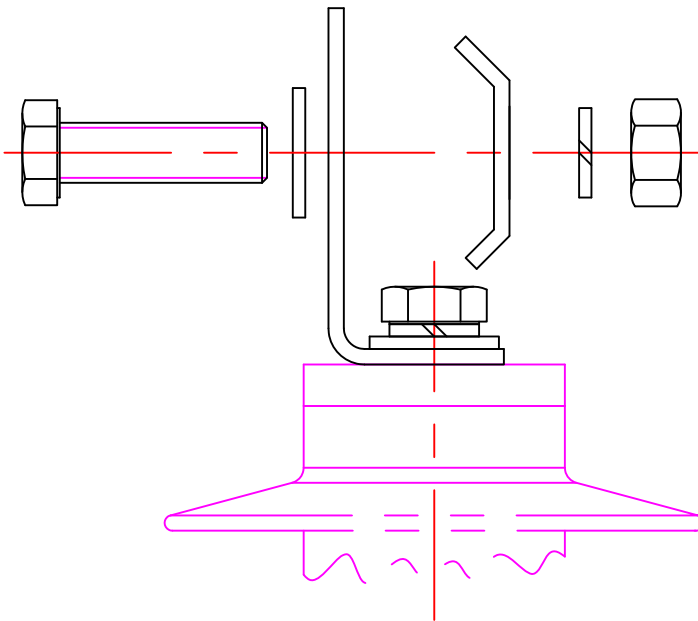
2

1

THIS DRAWING IS UNPUBLISHED. RELEASED FOR PUBLICATION -.- .

© COPYRIGHT - TE CONNECTIVITY IRELAND LTD, ISC, BLOCK 1, UNIVERSITY OF LIMERICK (NTP), CASTLETOY, LIMERICK, IRELAND ALL RIGHTS RESERVED.

LOC	DIST	REVISIONS				
P	LTR	DESCRIPTION	DATE	DWN	APVD	
-	-	A	ORIGINAL ISSUE	05/14	JM	-



THIS DRAWING IS A CONTROLLED DOCUMENT.		DWN J MULLIGAN	28/05/2014	STE TE Connectivity	
DIMENSIONS: mm		CHK R ULBRYCH	-		
TOLERANCES UNLESS OTHERWISE SPECIFIED:		APVD P FITZGERALD	-	NAME MV SURGE ARRESTER	
0 PLC ± 1		PRODUCT SPEC	EF2754-000	LINE TERMINATION - Q CLAMP	
1 PLC ± 0.1		APPLICATION SPEC	-	MVSA-TER-L-Q	
2 PLC ± 0.01		WEIGHT	0.38kg	SIZE A3	CAGE CODE 00779
3 PLC ± 0.001		CUSTOMER DRAWING		DRAWING NO G=MV-TER-00037-C	RESTRICTED TO -
4 PLC ± 0.0001		SCALE 1:1		SHEET 1 OF 1	REV A
4 PLC ANGLES ± 1		SCALE 1:1		SHEET 1 OF 1	REV A
MATERIAL ALL FITTINGS M12, A2 SS		FINISH -			