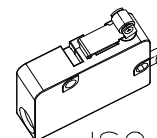
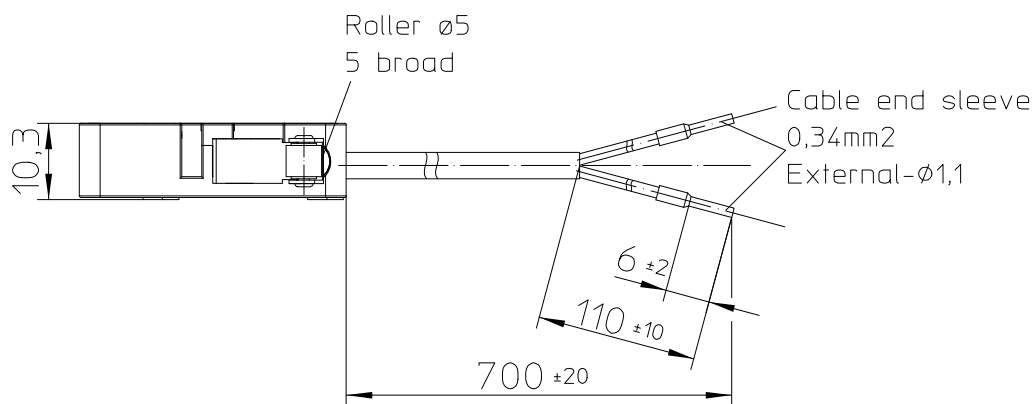


Circuit

11 (black) ——— 14 (grey)



ISO 1:2



Construction

Housing material Thermoplast GF
 Cover material Thermoplast GF
 Connector Cable FLYY 2x0,35mm2
 Seal IP 67 IEC 60 529
 Protective insulation
 Forced opening in accordance with VDE 0113 and VDE 0660 Part 206

Mechanical Characteristics

Total travel min. 2,8mm
 Movement differential 0,05 to 0,3 mm
 Operating force 3 to 5,1 N
 Release force >1 N
 Current carrying parts Cu-Alloy
 Contact material Ag
 Life cycle mechanical 5 Mio
 Frequency 200 per minute
 Operating speed in direction of plunger max. 0,5 m/s
 Temperature range -40°C to +90°C

Electrical Characteristics

Nominal voltage 250 V AC 24 V DC
 Continuous current 3 A
 Short circuit protection iaw EN 60947-5-1 fasting-acting fuse 3A alert

For this drawing we reserve the copyright in accordance with DIN ISO 16016

	Date	Name	mm ↔	Scale 1:1		Drawing No:
Create	20.01.2009	Seege				General Tolerances DIN ISO 2768 mK
Edited	04.02.2019	Weiro	NSN:			
Check	04.02.2019	Weiro				