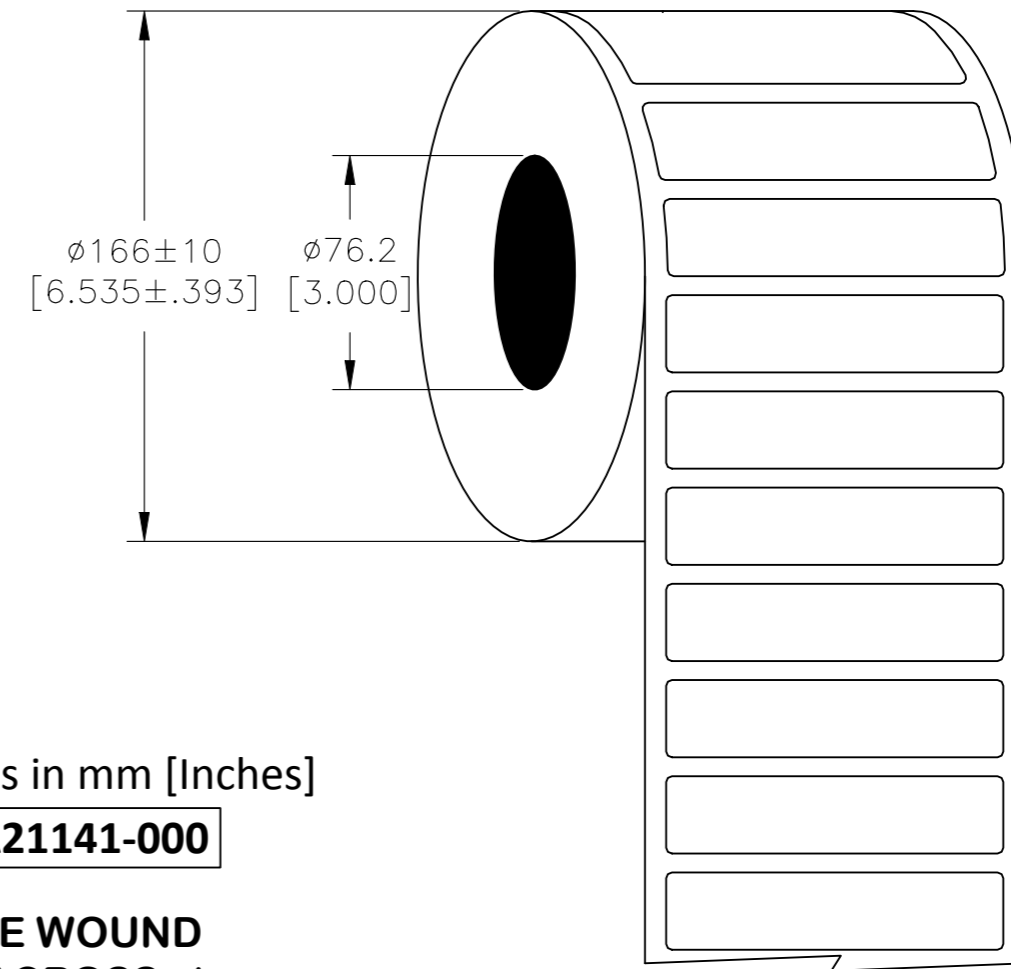
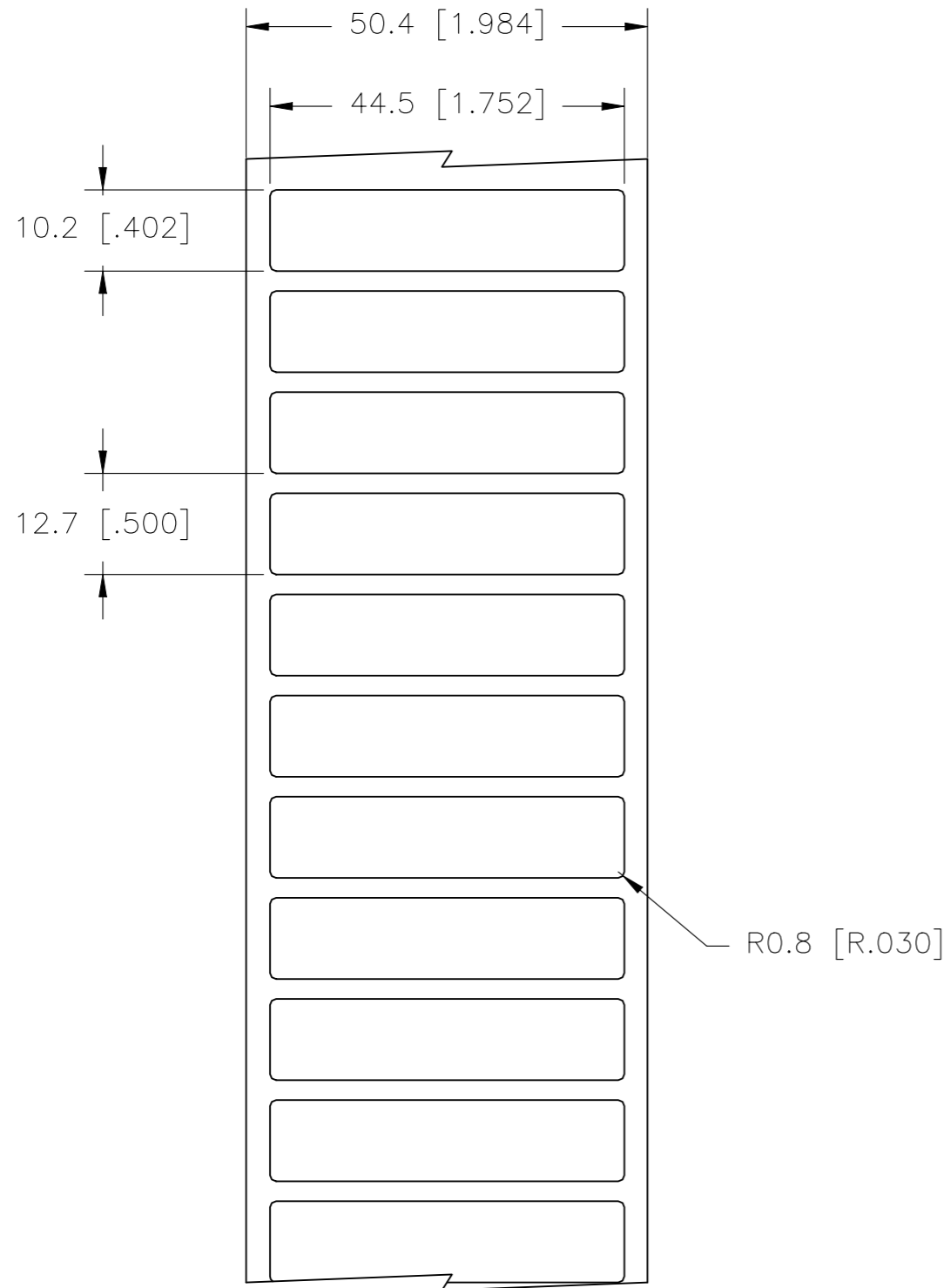


P	LTR	DESCRIPTION	DATE	DWN	APVD
	B	INITIAL RELEASE	25AUG2021	GK	MN

LABEL AND LINER DESIGN

PRESENTATION



All dimensions in mm [Inches]

TE PN: A21141-000

**OUTSIDE WOUND
LABEL ACROSS: 1
PER ROLL QTY: 5000**

MATERIAL	NYLON CLOTH
ADHESIVE TYPE	PERMANENT ACRYLIC
LINER	GLASSINE PAPER

3.0 [.118]

TOLERANCES mm [INCH]	
LABEL HEIGHT:	±0.3 [.012]
LABEL WIDTH:	±0.3 [.012]
WEB WIDTH:	±0.8 [.031]
VERTICAL REPEAT:	±0.8 [.031]*
HORIZONTAL REPEAT:	±0.8 [.031]*
PRINT POSITIONING:	±0.8 [.031]*
LEFT MARGIN:	±0.4 [.016]
QUANTITY:	-0 % +2 %
*NON ACCUMULATING	

THIS DRAWING IS A CONTROLLED DOCUMENT.	
DIMENSIONS: mm [INCHES]	TOLERANCES UNLESS OTHERWISE SPECIFIED:
	0 PLC ± -
	1 PLC ± -
	2 PLC ± -
	3 PLC ± -
	4 PLC ± -
MATERIAL SEE TABLE	FINISH -

DWN GOPALAKRISHNA HV 25AUG2021	TE Connectivity			
CHK MIKE NUTTALL 25AUG2021				
APVD MIKE NUTTALL 25AUG2021	NAME NC - NYLON CLOTH LABELS			
PRODUCT SPEC TTDS-051	-			
APPLICATION SPEC -	SIZE A3	CAGE CODE C2290	DRAWING NO G-NC-445102-5-9	RESTRICTED TO -
WEIGHT 1.735g	CUSTOMER DRAWING		SCALE NTS	SHEET 1 OF 1
		REV B		