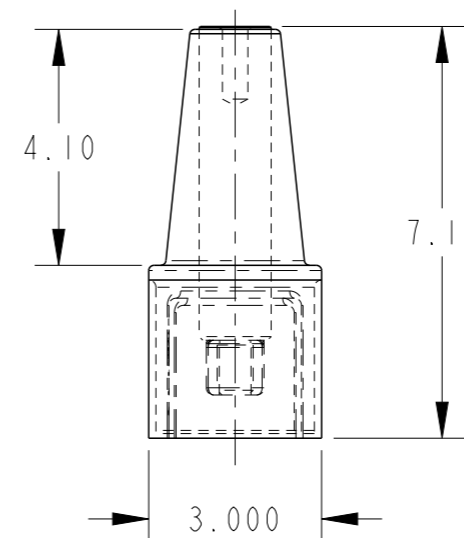
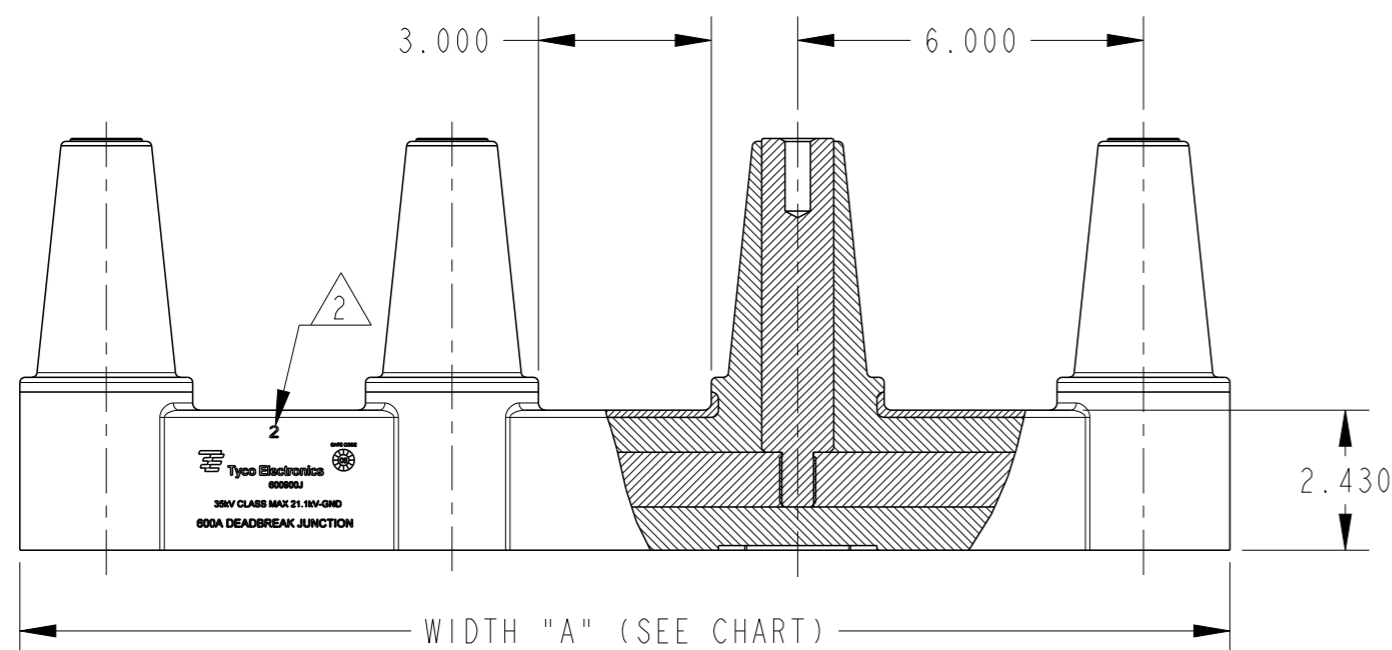
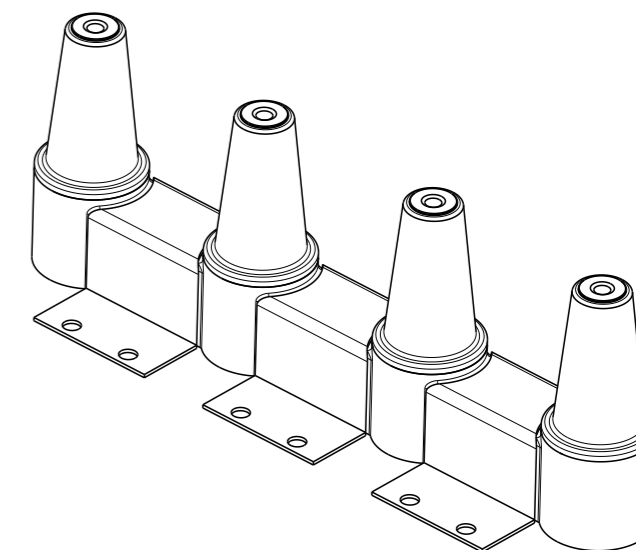
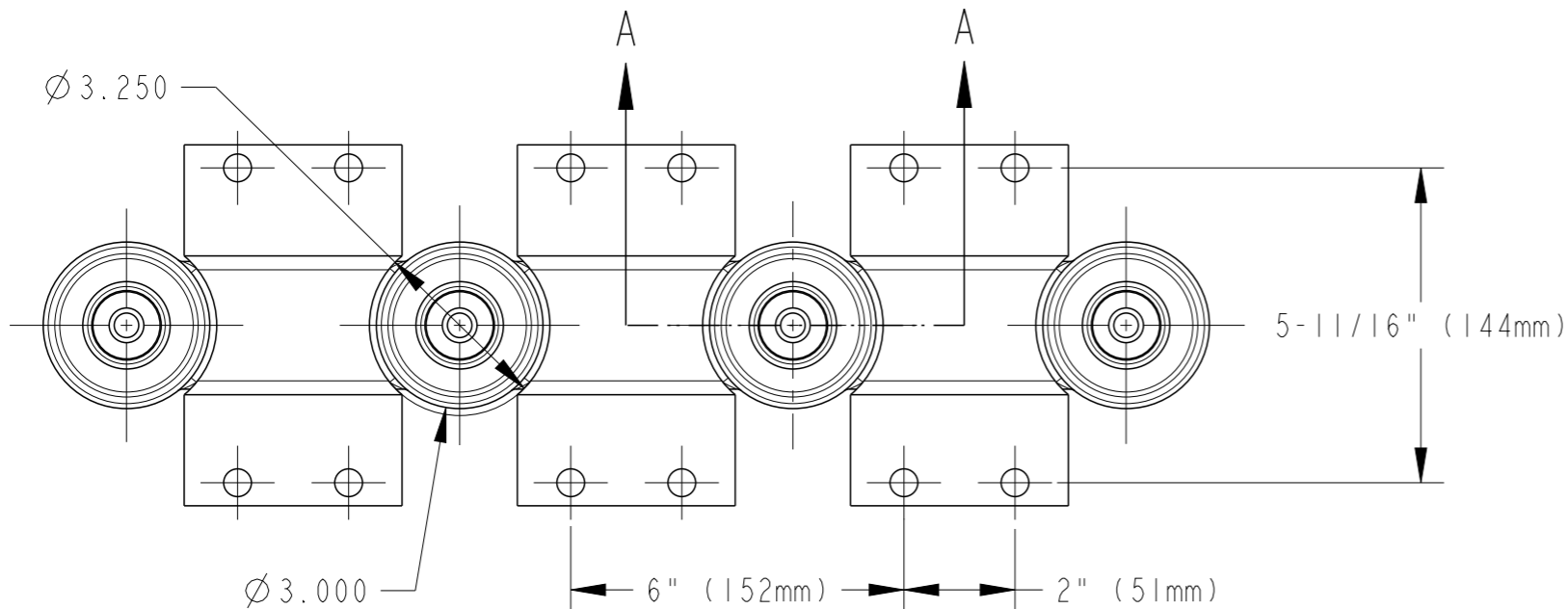


P	LTR	DESCRIPTION	DATE	DWN	APVD
A		INITIAL RELEASE	15APR2021	BJ	JC
B		REVISED / RTS# 1589023	17AUG2021	BJ	JC



- NOTES: UNLESS OTHERWISE SPECIFIED
- SHIP WITH SHIPPING CAPS INSTALLED.
  - STAMP OR LASER MARKING FOR INDICATED 200 kV BIL JUNCTION SHOULD READ AS 200 BIL:

200kV BIL JUNCTIONS	
PART NUMBER	DESCRIPTION
EN3306-000	ELB-35-600-J2-AL-200
EN3434-000	ELB-35-600-J3-AL-200
EN3311-000	ELB-35-600-J4-AL-200
EP6570-000	ELB-35-900-J2-CU-200
ER3670-000	ELB-35-900-J3-CU-200
ER3671-000	ELB-35-900-J4-CU-200

SECTION A-A

PART No.	DESCRIPTION	CONDUCTOR MAT'L	WIDTH "A"	POSITIONS	ROD/BAR MAT'L	LOGO
ED0483-000	ELB-35-600-J2-AL	ALUMINUM	9.00	2	ALUMINUM	600 AMP
ED0484-000	ELB-35-600-J3-AL	ALUMINUM	15.00	3	ALUMINUM	600 AMP
ED0485-000	ELB-35-600-J4-AL	ALUMINUM	21.00	4	ALUMINUM	600 AMP
ED0486-000	ELB-35-900-J2-CU	COPPER	9.00	2	COPPER	900 AMP
ED0487-000	ELB-35-900-J3-CU	COPPER	15.00	3	COPPER	900 AMP
ED0488-000	ELB-35-900-J4-CU	COPPER	21.00	4	COPPER	900 AMP

THIS DRAWING IS A CONTROLLED DOCUMENT.

DIMENSIONS:	TOLERANCES UNLESS OTHERWISE SPECIFIED:
in	0 PLC ±.005
	1 PLC ±.005
	2 PLC ±.005
	3 PLC ±.005
	4 PLC ±.005
	ANGLES ±.005
MATERIAL	FINISH
-	-
-	-

DWN	B. JOEL	15APR2021
CHK	D. WILSON	15APR2021
APVD	J. COOK	15APR2021
PRODUCT SPEC	-	-
APPLICATION SPEC	-	-
WEIGHT	-	-
CUSTOMER DRAWING		



NAME			
35kV ELBOW DEADBREAK JUNCTION 600 AMP			
SIZE	CAGE CODE	DRAWING NO	RESTRICTED TO
A3	00779	©-NC-P4909	-
SCALE	SHEET	OF	REV
1:1	1	1	B