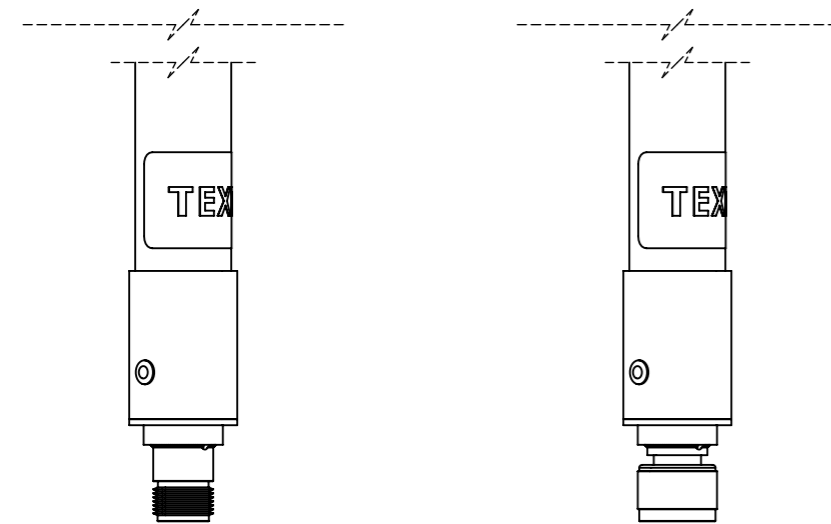
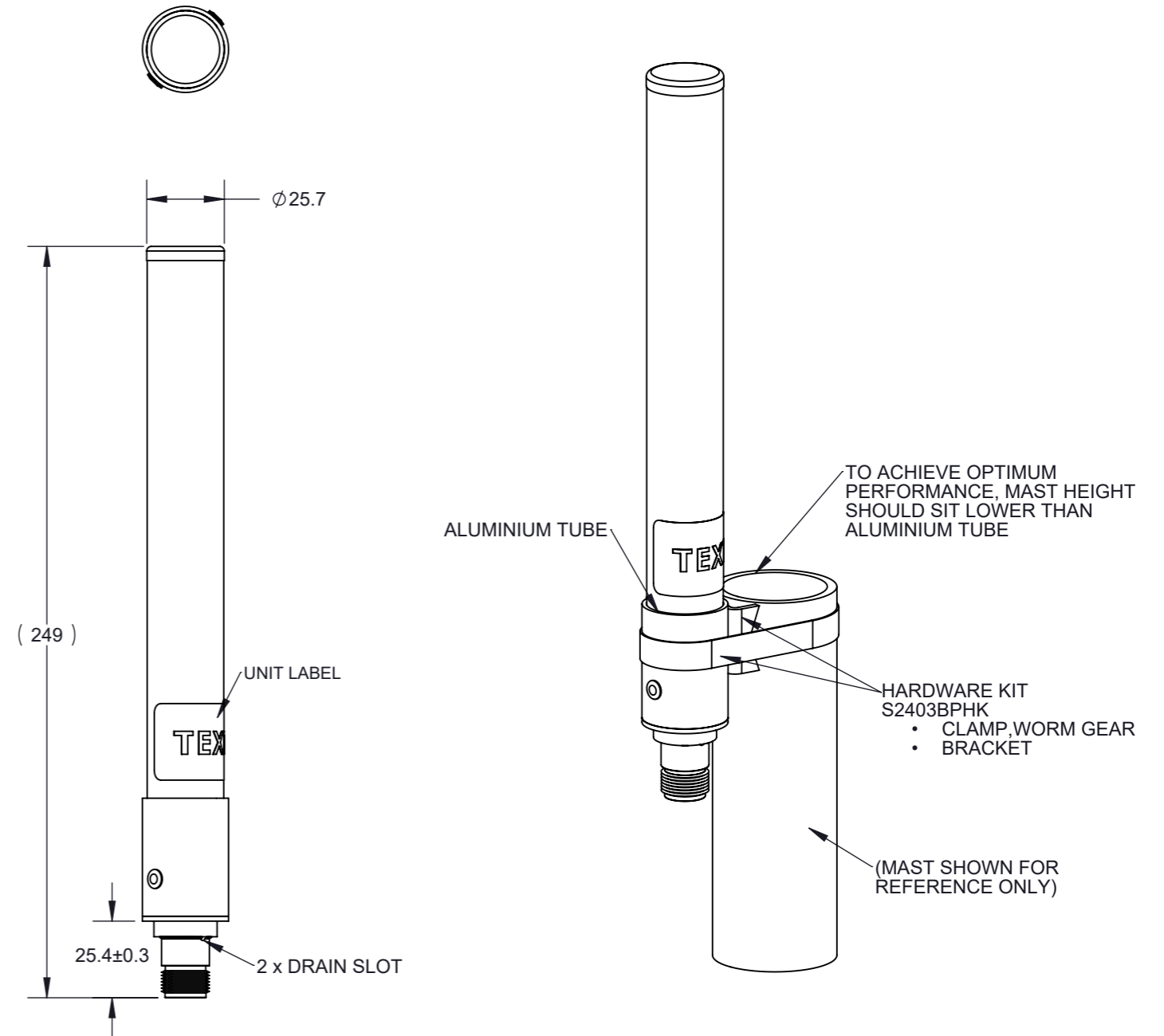


PARAMETER	SPECIFICATIONS							
Antenna Model	OC69421-FNF/OC69421-FNM							
No. of Ports	1-Port							
Frequency Bands, MHz	698-806	806-894	880-960	1690-1880	1850-1990	1910-2180	2300-2700	3300-4200
Peak Gain, dBi (Max)	1.5	1.8	1.3	4.0	2.9	2.5	3.7	5.0
Peak Gain, dBi (Average)	1.2	1.3	1.0	3.3	2.4	2.2	2.8	4.5
Total Efficiency (Average, %)	73%	69%	67%	80%	88%	90%	86%	81%
Total Efficiency (Average, dB)	-1.4	-1.6	-1.8	-1.0	-0.6	-0.5	-0.7	-0.9
VSWR (Average)	1.8	2.1	2.4	1.4	1.4	1.3	1.5	2.0
VSWR (Max)	< 2.5			< 2.0				< 2.5
Nominal Impedance	50 Ω							
Polarization	Linear Vertical							
Azimuth Beam Width	360°, Omnidirectional							
Input Power, Max	20 Watts							
Operating Temperature	-30°C to +70°C							
Storage Temperature	-40°C to +85°C							
Dimensions (Length x Diameter)	249mm x 25.7mm							
Weight	156g							
Connector	N-Type							
Radome Color	White							
Mounting Position	Upright Position Only							
Wind Rating	Operational 120 MPH/ Survival 136 MPH							
IP Rating	IP55							
Material Compliance	RoHS							

REVISIONS				
REV.	ECR #	DESCRIPTION	CHANGED BY/DATE	APPROVED BY/DATE
1		FOR REVIEW	LCTAN 01DEC20	TERENCE 01DEC20
2	ECO-21-00056	UPDATE HARDWARE KIT TO S2403BPHK	LCTAN 03DEC20	TERENCE 03DEC20



OC69421-FNF
• N-TYPE FEMALE CONNECTOR

OC69421-FNM
• N-TYPE MALE CONNECTOR

UNLESS OTHERWISE NOTED, THIS DOCUMENT CONTAINS LAIRD CONNECTIVITY CONFIDENTIAL INFORMATION. REPRODUCTION, USE, DISCLOSURE OR TRANSMITTAL OF ALL OR ANY PART OF THIS DOCUMENT IS PROHIBITED EXCEPT TO THE EXTENT APPROVED IN WRITING BY AN AUTHORIZED REPRESENTATIVE OF LAIRD CONNECTIVITY. LAIRD CONNECTIVITY RESERVES ALL RIGHTS UNDER PATENTS, TRADEMARKS, COPYRIGHTS AND TRADE SECRETS. COPYRIGHT, LAIRD CONNECTIVITY 2020, ALL RIGHTS RESERVED.

MATERIAL: N/A		THIRD ANGLE PROJECTION	
FINISH: N/A		DO NOT SCALE DRAWING	
APPROVALS		DATE	
DRAWN BY	LCTAN	01DEC20	
ELEC. ENG.	KJ NG	01DEC20	
MECH. ENG.	WT NG	01DEC20	
MFG./OPS.	GL YEAP	01DEC20	

INTERPRET DIMENSIONING AND TOLERANCING IN ACCORDANCE WITH ASME Y14.5M-2009	
TOLERANCES UNLESS OTHERWISE SPECIFIED	
DIMENSIONS ARE IN MILLIMETERS	
ANGLE:	±30'
0 PLACE DECIMAL:	±0.5
1 PLACE DECIMAL:	±0.25
2 PLACE DECIMAL:	±0.13
SURFACE ROUGHNESS $\sqrt{1.6}$	

Laird™ CONNECTIVITY
PENANG, MALAYSIA

TITLE: **OC69421-FNF/ FNM MOUNTING & OUTLINE**

SIZE: **A3** DWG. NO.: **OC69421-FNxMO** REV: **2**

SCALE: 1:2 PREVIOUS# ERROR!:Old Number SHEET 1 OF 1