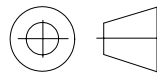
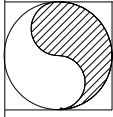


DRAWING NO. P0513

3RD ANGLE PROJECTION



REMOVE ALL SHARP EDGES AND BURRS



DETAIL 'Z'

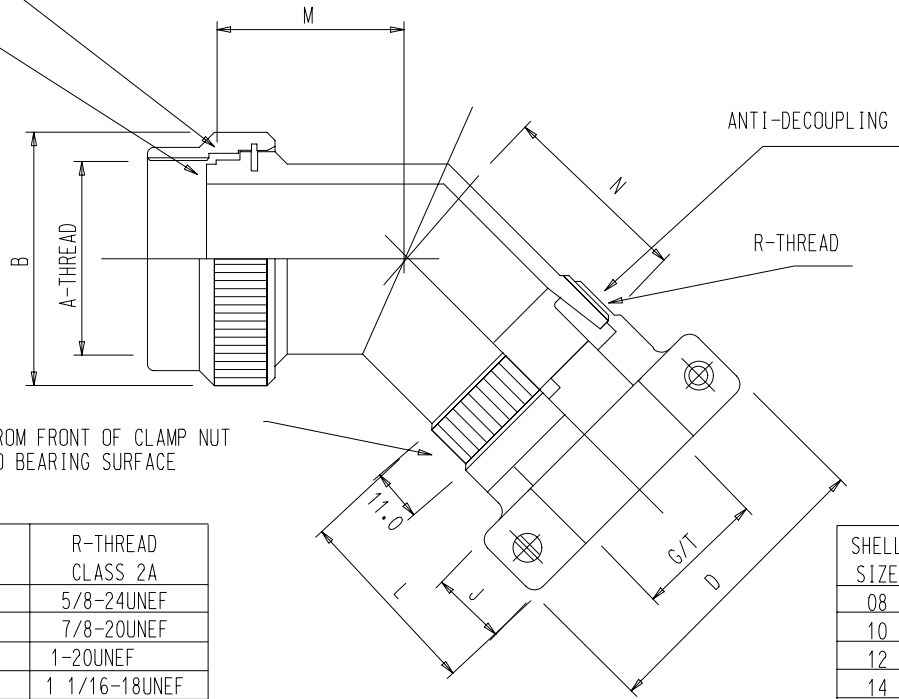
VIEW "Y"

1.55/0.89

90 DEG

NO. OF TEETH

ANTI-DECOUPLING

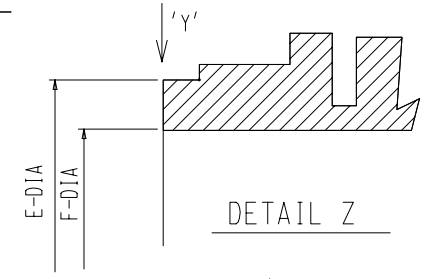
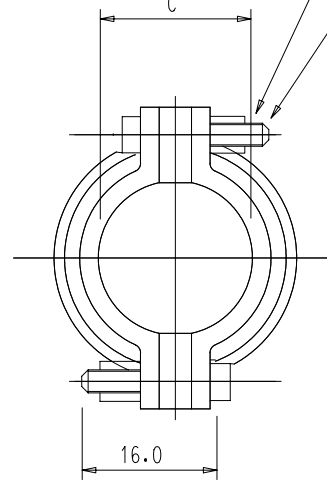


FROM FRONT OF CLAMP NUT TO BEARING SURFACE

SCREW AND NUT SIZE
08-12 0.138-32UNC
14-28 0.164-32UNC

CLINCH NUT, CAPTIVE SILVER PLATED, SELF LOCKING

SCREW WITH WRENCHING RECESS
NAS7100 (NO CODE)
NASM14191 (CODE A)
NASM33781 (CODE A)



SHELL SIZE	B MAX	M +0 /-1.0	N +0 /-1.0	A-THREAD CLASS 2B	R-THREAD CLASS 2A
08	19.0	19.4	24.1	1/2-20UNF	5/8-24UNEF
10	22.3	20.0	24.8	5/8-24UNEF	7/8-20UNEF
12	25.4	20.6	25.4	3/4-20UNEF	1-20UNEF
14	28.7	21.0	26.1	7/8-20UNEF	1 1/16-18UNEF
16	31.7	21.7	26.6	1-20UNEF	1 3/16-18UNEF
18	33.5	22.1	26.9	1 1/16-18UNEF	1 5/16-18UNEF
20	36.5	22.8	27.4	1 3/16-18UNEF	1 7/16-18UNEF
22	39.8	23.5	28.4	1 5/16-18UNEF	1 9/16-18UNEF
24	42.9	24.0	29.2	1 7/16-18UNEF	1 3/4-18UNS
28	50.8	29.6	33.5	1 3/4-18UNS	2-18UNS

SHELL SIZE	E +0/-0.1	F +/-0.13	G +/-0.7	T +/-0.7	NO. OF TEETH	C +/-0.76	D MAX	J +/-0.4	L MAX
08	11.10	9.17	10.06	10.06	12	11.12	27.2	8.69	23.62
10	14.53	11.10	11.99	11.99	15	14.28	30.8	8.69	25.15
12	17.45	14.83	15.72	15.72	21	15.88	32.6	8.69	27.94
14	20.62	17.22	18.11	18.11	24	19.05	36.0	11.86	27.94
16	23.80	20.55	21.44	21.44	30	23.83	43.1	11.86	27.94
18	25.20	22.48	23.37	23.37	33	23.83	43.1	11.86	27.94
20	28.37	25.53	26.42	26.42	36	31.75	51.3	11.86	29.11
22	31.55	29.00	29.90	29.90	39	31.75	51.3	11.86	29.11
24	34.72	32.46	33.35	33.35	42	34.93	54.6	11.86	30.76
28	42.75	38.91	39.80	39.80	54	39.67	59.4	11.86	30.76

PART NO. SYSTEM

ESC77-E-14 A

SPEC NO. _____ WRENCHING RECESS _____
MATERIAL/FINISH _____
SHELL SIZE _____

2	DCR 395	11.4.01	A.D.P
1	FIRST ISSUE	16.12.92	D.C.P
ISSUE	DESCRIPTION	DATE	APPROVED

DRAWN	A.D.P.	16.12.92	MATERIAL/FINISH	UNLESS OTHERWISE SPECIFIED:-	DO NOT SCALE THIS DRAWING	POLAMCO LTD. WESTON LOCK LOWER BRISTOL ROAD BATH AVON	PART NO. ESC77-*-*
CHECKED			D-STAINLESS STEEL PASSIVATED	ALL DIMENSIONS IN MILLIMETRES	THIS DRAWING IS COPYRIGHT AND THE PROPERTY OF POLAMCO LTD. IT MUST NOT BE COPIED, USED FOR MANUFACTURE OR OTHERWISE DISCLOSED, WITHOUT PRIOR WRITTEN CONSENT OF THE COMPANY.		
APPROVED 1			E-COUPLING NUT-ST STEEL PASSIVATED	TOLERANCE ON DIMENSIONS +/-0.1		TITLE ANTI-DECOUPLING 45 DEG ADAPTOR ASSEMBLY RFI/EMI CONE GROUNDING	DRAWING NO. P0513
APPROVED 2			BODY-ALUMINIUM ELECTROLESS NICKEL	TOLERANCE ON ANGLES +/-1 DEG			
APPROVED 3				WEIGHT			
PROJECT				SCALE	N.T.S.		
PART NO.	ESC77-*-*						