

**NOTE 1 - ATTACHMENT TYPE**

- 00 - NO EYELET OR RING
- 01-05 - EYELET REF. (SEE TABLE 3)
- A-J / 09-25 - RING REF. (SEE TABLE 4)
- CF - SUPPLIED WITH CRIMP FERRULE

**NOTE 2 - LENGTH DEVIATION**

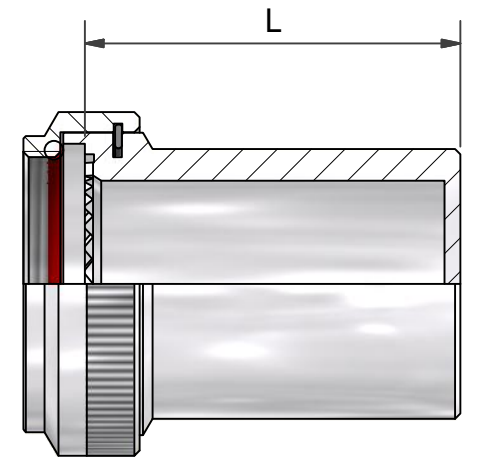
LENGTH DEVIATION AVAILABLE WHERE L IS A MULTIPLE OF 5,0MM

TABLE 1

SHELL SIZE	A THREAD	ØB MAX	ØT MIN	L STANDARD
09	M12 x 1.0	18,0	6,7	22,5
11	M15 x 1.0	21,0	10,2	26,0
13	M18 x 1.0	24,5	13,5	29,0
15	M22 x 1.0	29,0	16,2	32,0
17	M25 x 1.0	32,5	19,4	35,5
19	M28 x 1.0	35,5	21,8	39,5
21	M31 x 1.0	37,0	25,1	42,0
23	M34 x 1.0	40,0	28,2	45,0
25	M37 x 1.0	43,5	31,4	48,0

TABLE 2

EYELET REF.	ØF
01	3,2
02	3,7
03	4,3
04	5,3
05	6,4



100P670-17-1-C  
NO ATTACHMENT VERSION

TABLE 3

TO FIT MIL-DTL-38999 SERIES III PLUG		TO FIT MIL-DTL-38999 SERIES III JAM NUT RECEPTACLE	
RING REF.	ØE	RING REF.	ØE
09	15,1	A	18,0
11	18,0	B	21,4
13	19,4	C	25,8
15	22,6	D	28,8
17	25,8	E	32,0
19	28,8	F	35,0
21	32,0	G	38,3
23	34,1	H	41,7
25	40,1	J	44,6

TABLE 4

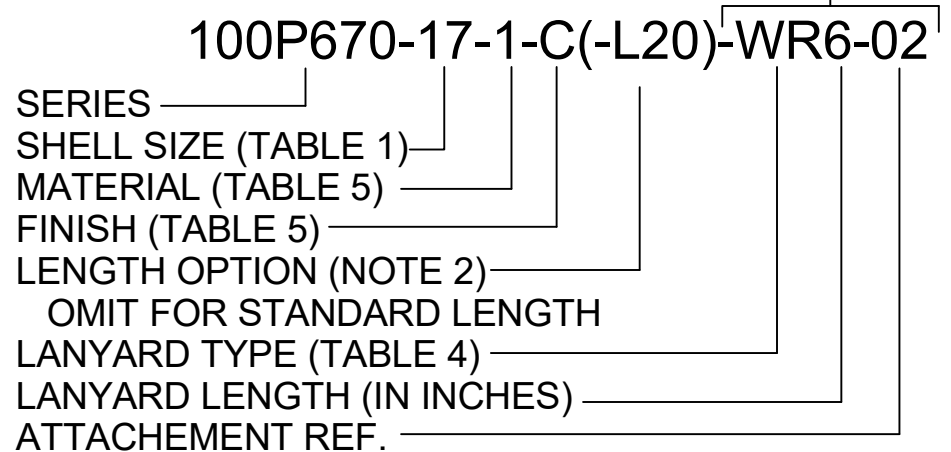
CODE	LANYARD TYPE
WR	NYLON COVERED (CLEAR) STAINLESS STEEL WIRE ROPE
TC	TEFLON COVERED (CLEAR) STAINLESS STEEL WIRE ROPE
WG	TEFLON COVERED (OLIVE DRAB) STAINLESS STEEL WIRE ROPE
WB	TEFLON COVERED (BLACK) STAINLESS STEEL WIRE ROPE
WRB	PVC COVERED (BLACK) STAINLESS STEEL WIRE ROPE
LC	LINK CHAIN
BK	BLACK CORD
VGB	1,5mm BLACK POLYESTER CORD EQV. TO DIN83330-E1,5
R	OLIVE DRAB POLYESTER CORD
NB	OLIVE DRAB NYLON CORD
NK	BLACK NYLON CORD

TABLE 5

CODE	DESCRIPTION
1-B	ALUMINIUM ALLOY, CADMIUM OLIVE DRAB OVER ELECTROLESS NICKEL FINISH
1-B	ALUMINIUM ALLOY, CADMIUM OLIVE OVER ELECTROLESS NICKEL
1-C	ALUMINIUM ALLOY, ZINC COBALT OLIVE DRAB OVER ELECTROLESS NICKEL
1-ZB	ALUMINIUM ALLOY, ZINC COBALT OLIVE DRAB OVER ELECTROLESS NICKEL FINISH
2-Z	NICKEL ALUMINIUM BRONZE, NON-REFLECTIVE SHOT BLAST FINISH
4-J	STAINLESS STEEL, PASSIVATE FINISH

LIST NOT EXHAUSTIVE, SEE PLATING AND MATERIAL TABLE FOR OTHER OPTIONS

OMIT FOR NO ATTACHEMENT VERSION



DRAWN J.CLARK	DATE 21/10/2019	3RD ANGLE PROJECTION NOT TO SCALE	<b>POLAMCO</b> WESTON LOCK LOWER BRISTOL ROAD BATH BA2 1EP	PAGE 1 OF 1	UNLESS OTHERWISE SPECIFIED ALL DIMENSIONS IN MILLIMETRES
SALES APPR					
DESIGN APPR		THIS DRAWING IS COPYRIGHT AND THE PROPERTY OF POLAMCO LTD IT MUST NOT BE COPIED, USED FOR MANUFACTURE OR OTHERWISE DISCLOSED WITHOUT PRIOR WRITTEN CONSENT OF THE COMPANY.	ASSY USED ON: MIL-DTL-38999 SERIES III & IV	MATERIAL SEE TABLE 5	
QUAL APPR					
ISSUE AA	DCR 7332			PART NUMBER: <b>100P670 SERIES</b>	NCAGE CODE U5792
WEIGHT	GENERAL TOL LINEAR +/-0.1MM ANGULAR +/- 1°	DRAWING NO: P10289			