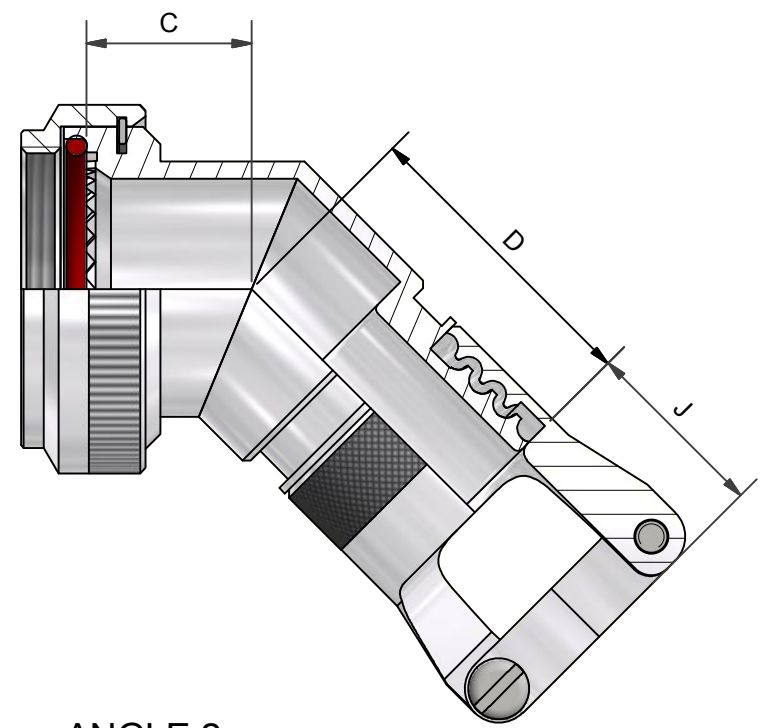
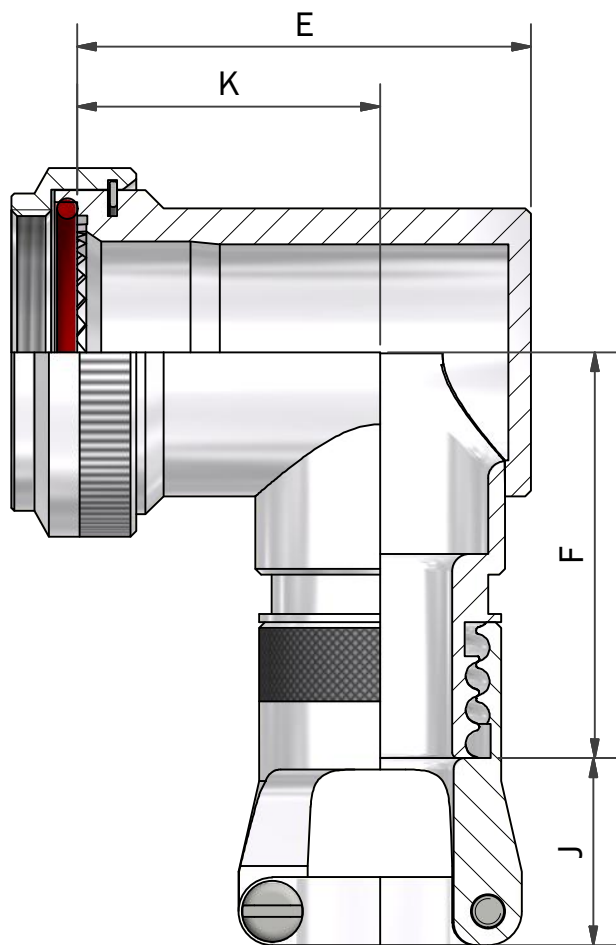


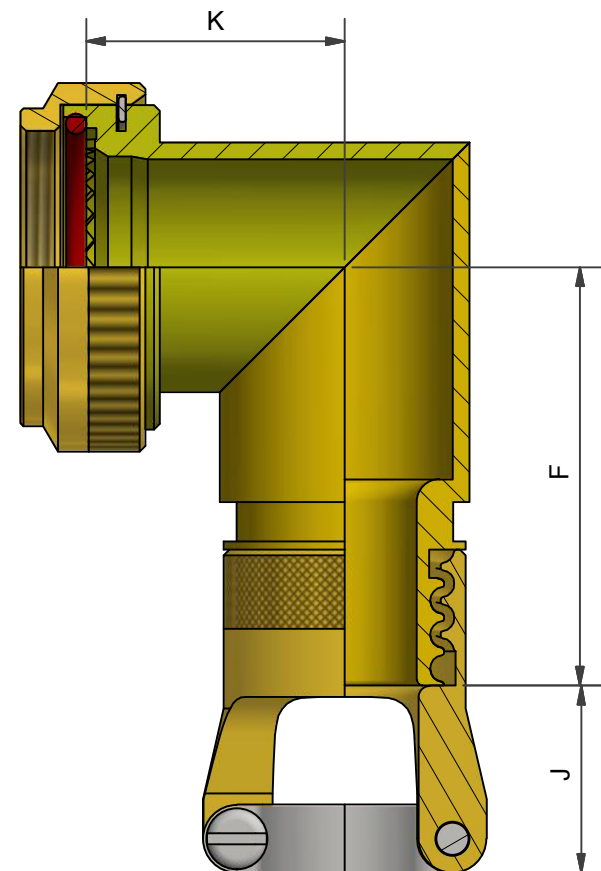
ANGLE 1



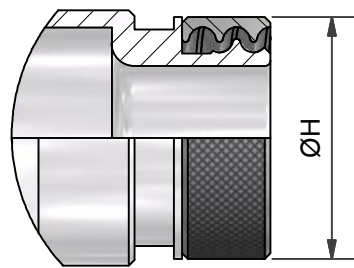
ANGLE 2



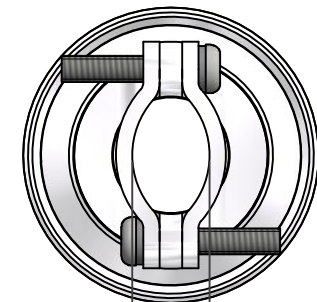
ANGLE 3  
90° BACKSHELL  
ALUMINIUM ALLOY



ANGLE 3  
90° BACKSHELL  
STAINLESS STEEL  
NICKEL ALUMINIUM BRONZE



PLAIN NUT OPTION  
FOR PLAIN NUT VERSION: STANDARD  
STRAIGHT LENGTH IS 28MM, DIMS D  
AND F ARE REDUCED BY 4MM



M: MINIMUM  
CLAMPING  
DIAMETER


DRAWN		DATE		 3RD ANGLE PROJECTION NOT TO SCALE	PART NUMBER:		<b>95H SERIES</b>		 <b>Polamco</b>
R.CL		18/04/2018			TITLE:				
DESIGN APPROVAL		DATE		UNLESS OTHERWISE SPECIFIED ALL DIMENSIONS IN MILLIMETRES GENERAL TOL LINEAR +/-0,25MM ANGULAR +/- 1°	ASSY USED ON: MIL-DTL-38999 SERIES III & IV		 <b>TE</b> connectivity		
K. SHEPPARD		20/04/2018			<b>MATERIAL</b> SEE PART NUMBER BREAKDOWN			THIS DRAWING IS COPYRIGHT AND THE PROPERTY OF POLAMCO LTD IT MUST NOT BE COPIED, USED FOR MANUFACTURE OR OTHERWISE DISCLOSED WITHOUT PRIOR WRITTEN CONSENT OF THE COMPANY.	
DOC TYPE	<b>Customer Drawing</b>			<b>FINISH</b> SEE PART NUMBER BREAKDOWN		SHT <b>1</b>		DRAWING NO: <b>P10717</b>	
ISSUE	REV.	DCR		NCAGE CODE U5792		WEIGHT N/A			
<b>6</b>		<b>6708</b>							

TABLE 1

SHELL SIZE	A THREAD	ØB MAX	ØT MIN	C MAX	D MAX	E MAX	F MAX	K ±0,5	THESE DIMENSIONS APPLY IF BACKSHELL IS STAINLESS STEEL OR NICKEL ALUMINIUM BRONZE	
									F MAX	K ±0,5
09	M12 x 1.0	18,0	6,7	13,1	24,5	25,7	30,5	17,5	34,7	16,4
11	M15 x 1.0	21,0	10,2	13,9	25,3	26,7	32,2	17,5	36,5	17,3
13	M18 x 1.0	24,5	13,5	14,5	25,6	31,2	33,7	20,0	38,0	19,5
15	M22 x 1.0	29,0	16,2	15,5	26,5	37,2	35,2	24,5	39,5	21,0
17	M25 x 1.0	32,5	19,4	16,1	27,4	40,2	36,9	26,7	41,2	22,8
19	M28 x 1.0	35,5	21,8	16,8	27,9	44,7	38,5	27,0	42,8	25,3
21	M31 x 1.0	37,0	25,1	17,1	28,7	49,2	40,1	30,5	44,4	26,1
23	M34 x 1.0	40,0	28,2	17,7	29,1	51,7	41,6	31,5	45,9	27,6
25	M37 x 1.0	43,5	31,4	18,4	29,9	48,5	43,1	28,5	47,4	29,1

TABLE 2

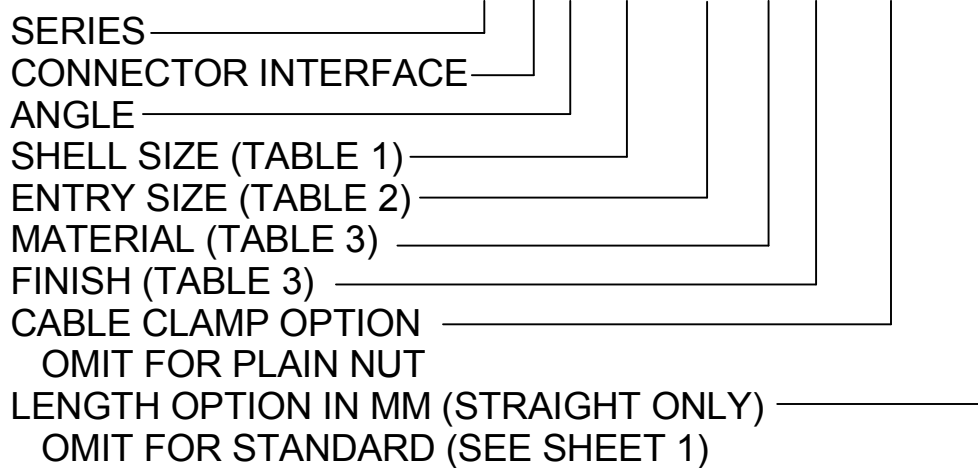
ENTRY SIZE	ØG MIN	W MAX	ØH MAX	J MAX	M
03	4,7	17,3	15,2	13,7	5,8
04	6,3	18,9	15,2	13,7	5,7
05	7,9	20,5	16,8	13,7	6,8
06	9,5	22,1	18,4	13,7	6,9
07	11,1	23,6	20,0	13,7	8,1
08	12,7	25,1	21,6	16,7	8,5
09	14,2	26,8	23,2	16,7	9,7
10	15,8	28,4	24,8	16,7	10,4
11	17,4	30,1	26,4	19,7	11,5
12	19,0	31,6	27,9	19,7	11,4
13	20,6	33,1	29,5	19,7	14,0
14	22,2	34,8	31,1	22,7	15,4
15	23,8	36,5	32,7	22,7	16,8
16	25,4	37,9	34,3	22,7	17,3
17	27,0	39,5	35,9	22,7	18,8
18	28,6	41,1	37,5	22,7	19,5
19	30,2	42,7	39,3	24,2	25,9
20	31,8	44,3	40,6	24,2	23,4
21	33,3	45,8	42,2	24,2	24,8
22	35,0	N/A	43,8	N/A	N/A
23	36,5	47,4	45,4	24,2	25,4
24	38,1	50,9	47,0	24,2	27,4

TABLE 3

CODE	MATERIAL / FINISH
1-C	ALUMINIUM / ELECTROLESS NICKEL
1-B	ALUMINIUM / CADMIUM OLIVE DRAB OVER ELECTROLESS NICKEL
1-ZB	ALUMINIUM / ZINC COBALT OLIVE DRAB OVER ELECTROLESS NICKEL
1-ZK	ALUMINIUM / ZINC COBALT BLACK OVER ELECTROLESS NICKEL
1-ZN	ALUMINIUM / ZINC NICKEL BLACK PASSIVATE OVER ELECTROLESS NICKEL
4-J	STAINLESS STEEL / PASSIVATE
2-Z	NICKEL ALUMINIUM BRONZE / SHOT BLAST

SEE SS0076 FOR FULL RANGE OF FINISH OPTIONS

95H1-17-08-1-C-CC-L50



DRAWN		DATE		<p>3RD ANGLE PROJECTION NOT TO SCALE</p>	PART NUMBER:		95H SERIES		<p>Polamco</p>
R.CL		18/04/2018			TITLE:		BRAID TRAP BACKSHELL		
DESIGN APPROVAL		DATE		<p>UNLESS OTHERWISE SPECIFIED ALL DIMENSIONS IN MILLIMETRES</p> <p>GENERAL TOL LINEAR +/-0,25MM ANGULAR +/- 1°</p>	ASSY USED ON: MIL-DTL-38999 SERIES III & IV		POLAMCO LTD, WESTON LOCK, LOWER BRISTOL ROAD BATH BA2 1EP		<p>TE connectivity</p>
K. SHEPPARD		20/04/2018			THIS DRAWING IS COPYRIGHT AND THE PROPERTY OF POLAMCO LTD IT MUST NOT BE COPIED, USED FOR MANUFACTURE OR OTHERWISE DISCLOSED WITHOUT PRIOR WRITTEN CONSENT OF THE COMPANY.		SHT		
DOC TYPE	Customer Drawing				SEE PART NUMBER BREAKDOWN		2		
ISSUE	REV.	DCR		SEE PART NUMBER BREAKDOWN		DRAWING NO:		P10717	
6		6708		WEIGHT		N/A			
NCAGE CODE U5792		WEIGHT N/A							