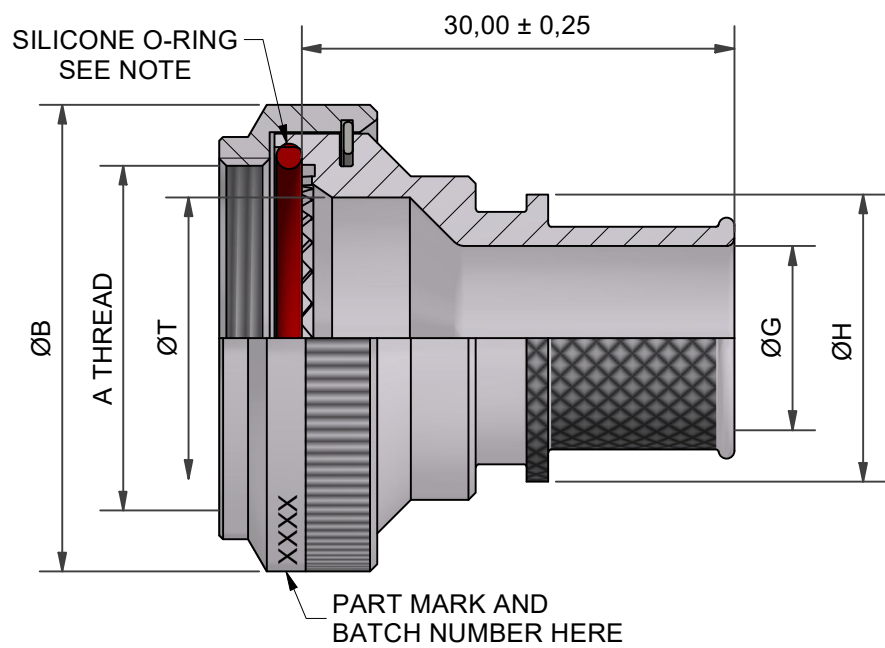
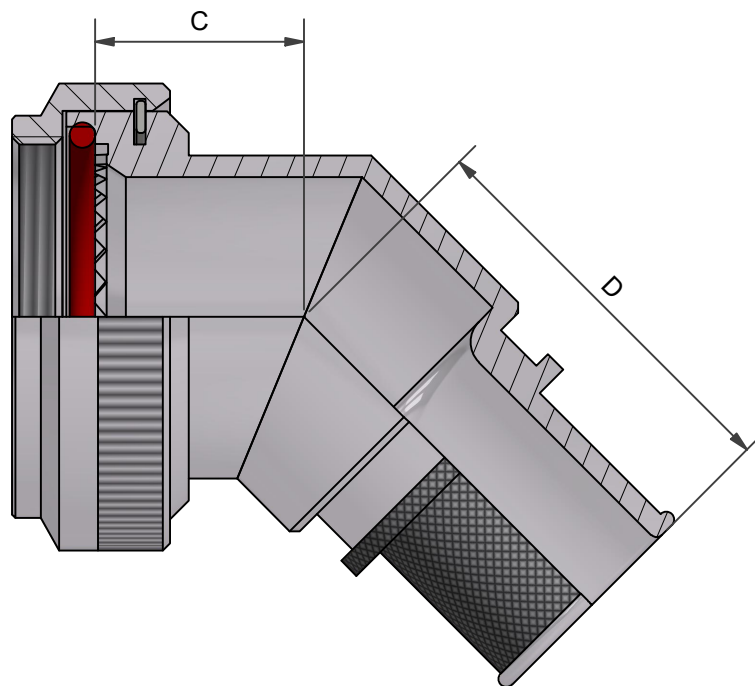


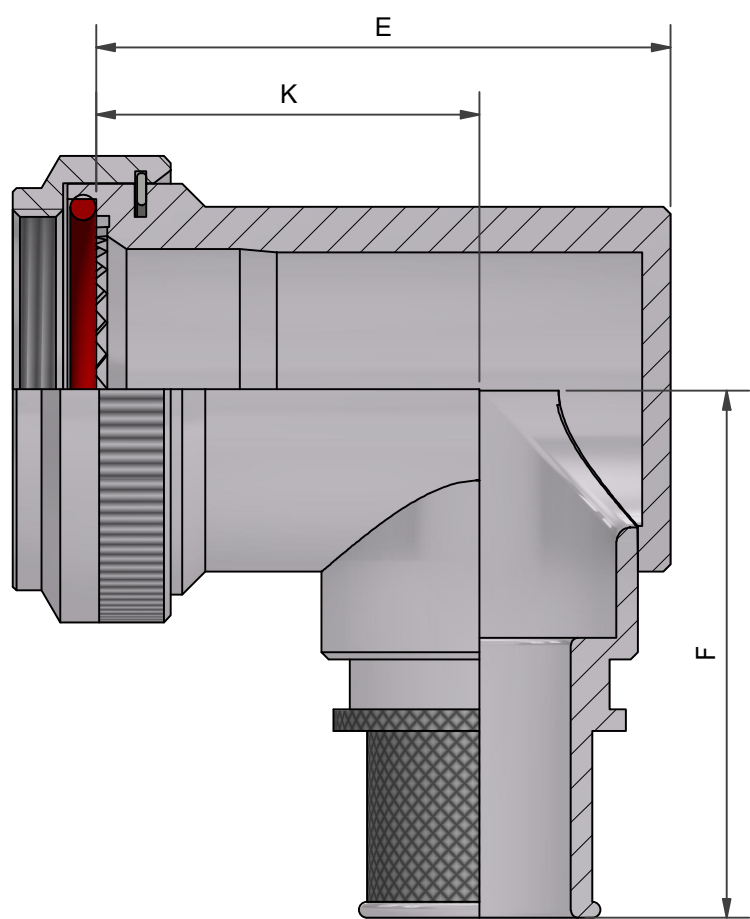
ISS / REV	DESCRIPTION	CHANGED BY	DATE
5	DCR 6180	C.WALLACE	04/03/16
6	DCR 6624	K.K-W	27/09/17
AA	CRN 26424	N.HAWKINS	13/03/24



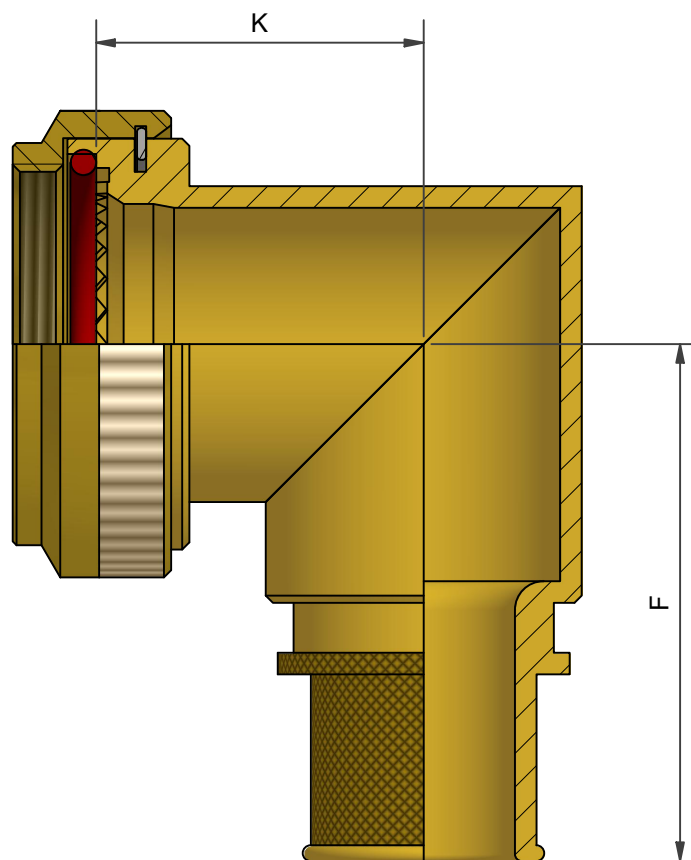
ANGLE 1



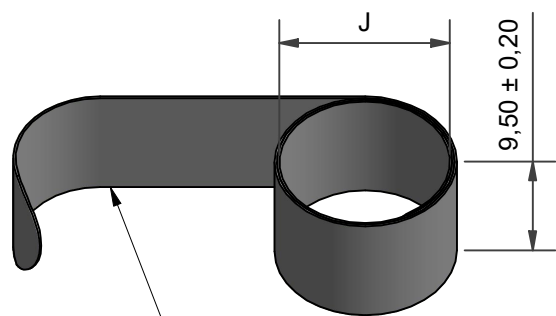
ANGLE 2




ANGLE 3
90° BACKSHELL
ALUMINIUM ALLOY



ANGLE 3
90° BACKSHELL
STAINLESS STEEL
NICKEL ALUMINIUM BRONZE



CONSTANT FORCE
SPRING (TABLE 3)

<table border="1"> <tr> <td>DRAWN</td> <td>K.K-W</td> <td>DATE</td> <td>19/09/2017</td> </tr> <tr> <td>SALES APPR</td> <td>M.PAUL</td> <td>DATE</td> <td>19/09/2017</td> </tr> <tr> <td>DESIGN APPR</td> <td>K.SHEPPARD</td> <td>DATE</td> <td>19/09/2017</td> </tr> <tr> <td>PROD APPR</td> <td>K.SMITH</td> <td>DATE</td> <td>19/09/2017</td> </tr> <tr> <td>QUAL APPR</td> <td>P.REES</td> <td>DATE</td> <td>19/09/2017</td> </tr> </table>	DRAWN	K.K-W	DATE	19/09/2017	SALES APPR	M.PAUL	DATE	19/09/2017	DESIGN APPR	K.SHEPPARD	DATE	19/09/2017	PROD APPR	K.SMITH	DATE	19/09/2017	QUAL APPR	P.REES	DATE	19/09/2017	<p>3RD ANGLE PROJECTION NOT TO SCALE</p> <p>UNLESS OTHERWISE SPECIFIED ALL DIMENSIONS IN MILLIMETRES GENERAL TOL LINEAR +/-0,25MM ANGULAR +/- 1°</p> <p>MATERIAL SEE PART NUMBER BREAKDOWN</p> <p>FINISH SEE PART NUMBER BREAKDOWN</p>	<p>PART NUMBER:</p> <p>91H SERIES</p> <p>TITLE:</p> <p>SPRING TERMINATION BACKSHELL</p> <p>ASSY USED ON: MIL-DTL-38999 SERIES III & IV</p>	 <p>POLAMCO</p>
DRAWN	K.K-W	DATE	19/09/2017																				
SALES APPR	M.PAUL	DATE	19/09/2017																				
DESIGN APPR	K.SHEPPARD	DATE	19/09/2017																				
PROD APPR	K.SMITH	DATE	19/09/2017																				
QUAL APPR	P.REES	DATE	19/09/2017																				
<table border="1"> <tr> <td>ISSUE/REV</td> <td>CRN</td> </tr> <tr> <td>AA</td> <td>26424</td> </tr> </table>	ISSUE/REV	CRN	AA	26424	<table border="1"> <tr> <td>NCAGE CODE</td> <td>WEIGHT</td> </tr> <tr> <td>U5792</td> <td></td> </tr> </table>	NCAGE CODE	WEIGHT	U5792		<p>THIS DRAWING IS COPYRIGHT AND THE PROPERTY OF POLAMCO LTD IT MUST NOT BE COPIED, USED FOR MANUFACTURE OR OTHERWISE DISCLOSED WITHOUT PRIOR WRITTEN CONSENT OF THE COMPANY.</p>	<table border="1"> <tr> <td>POLAMCO LTD, WESTON LOCK, LOWER BRISTOL ROAD BATH BA2 1EP</td> <td>SHT</td> <td>DRAWING NO:</td> </tr> <tr> <td></td> <td>1</td> <td>P10743</td> </tr> </table>	POLAMCO LTD, WESTON LOCK, LOWER BRISTOL ROAD BATH BA2 1EP	SHT	DRAWING NO:		1	P10743						
ISSUE/REV	CRN																						
AA	26424																						
NCAGE CODE	WEIGHT																						
U5792																							
POLAMCO LTD, WESTON LOCK, LOWER BRISTOL ROAD BATH BA2 1EP	SHT	DRAWING NO:																					
	1	P10743																					

THESE DIMENSIONS APPLY IF BACKSHELL IS STAINLESS STEEL OR NICKEL ALUMINIUM BRONZE

TABLE 1

SHELL SIZE	A THREAD	ØB MAX	ØT MIN	C MAX	D MAX	E MAX	F MAX	K ±0,5	F MAX	K ±1,0
09	M12 x 1.0	18,0	6,7	13,1	25,7	25,7	30,5	17,5	32,9	15,9
11	M15 x 1.0	21,0	10,2	13,9	26,9	26,7	32,2	17,5	34,1	17,3
13	M18 x 1.0	24,5	13,5	14,5	27,3	31,2	33,7	20,0	35,3	19,1
15	M22 x 1.0	29,0	16,2	15,5	28,2	37,2	35,2	24,5	37,1	21,2
17	M25 x 1.0	32,5	19,4	16,1	29,0	40,2	36,9	26,7	39,0	22,8
19	M28 x 1.0	35,5	21,8	16,8	29,3	44,7	38,5	27,0	40,8	24,9
21	M31 x 1.0	37,0	25,1	17,1	30,1	49,2	40,1	30,5	42,5	25,6
23	M34 x 1.0	40,0	28,2	17,7	30,5	51,7	41,6	31,5	43,9	27,1
25	M37 x 1.0	43,5	31,4	18,4	31,4	53,2	43,1	28,5	45,3	28,6

TABLE 2

ENTRY SIZE	ØG MIN	ØH MAX	SPRING REF
03	4,7	13,9	HE050
04	6,3	13,9	HE050
05	7,9	15,5	HE100
06	9,5	17,2	HE100
07	11,1	18,7	HE100
08	12,7	20,3	HE200
09	14,2	21,9	HE200
10	15,8	23,5	HE200
11	17,4	25,1	HE200
12	19,0	26,7	HE300
13	20,6	28,3	HE300
14	22,2	29,9	HE300
15	23,8	31,5	HE300
16	25,4	33,1	HE300
17	27,0	34,7	HE400
18	28,6	36,3	HE400
19	30,2	37,9	HE400
20	31,8	39,5	HE400
21	33,3	41,1	HE400
22	35,0	42,7	HE400
23	36,5	44,3	HE400
24	38,1	45,9	HE400

TABLE 3

SPRING REF	J MAX (UNCONSTRAINED)
HE 050	7,5
HE 100	9,1
HE 200	12,8
HE 300	17,9
HE 400	21,8

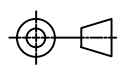

TABLE 4

CODE	MATERIAL / FINISH
1-C	ALUMINIUM / ELECTROLESS NICKEL
1-B	ALUMINIUM / CADMIUM OLIVE DRAB OVER ELECTROLESS NICKEL
1-ZB	ALUMINIUM / ZINC COBALT OLIVE DRAB OVER ELECTROLESS NICKEL
1-ZK	ALUMINIUM / ZINC COBALT BLACK OVER ELECTROLESS NICKEL
1-ZN	ALUMINIUM / ZINC NICKEL BLACK PASSIVATE OVER ELECTROLESS NICKEL
4-J	STAINLESS STEEL 300 SERIES / PASSIVATE
46-J	STAINLESS STEEL 316 / PASSIVATE
2-Z	NICKEL ALUMINIUM BRONZE / SHOT BLAST

SEE SS0076 FOR FULL RANGE OF FINISH OPTIONS
NOTE: VITON O-RING SUPPLIED WITH STAINLESS BACKSHELL

91H1-17-08-1-C-HE200

SERIES _____
CONNECTOR INTERFACE _____
ANGLE _____
SHELL SIZE (TABLE 1) _____
ENTRY SIZE (TABLE 2) _____
MATERIAL AND FINISH (TABLE 4) _____
SPRING REF (TABLE 3) _____
OMIT IF NO SPRING REQUIRED
SPRING REFERENCE NOT INCLUDED IN PART MARKING
e.g 91H1-17-08-1-C [BATCH NUMBER]

DRAWN	K.K-W	DATE	19/09/2017	 3RD ANGLE PROJECTION NOT TO SCALE	PART NUMBER:	91H SERIES				 POLAMCO				
SALES APPR	M.PAUL	DATE	19/09/2017		TITLE:						SPRING TERMINATION BACKSHELL			
DESIGN APPR	K.SHEPPARD	DATE	19/09/2017		UNLESS OTHERWISE SPECIFIED ALL DIMENSIONS IN MILLIMETRES GENERAL TOL LINEAR +/-0,25MM ANGULAR +/- 1°	ASSY USED ON:	THIS DRAWING IS COPYRIGHT AND THE PROPERTY OF POLAMCO LTD IT MUST NOT BE COPIED, USED FOR MANUFACTURE OR OTHERWISE DISCLOSED WITHOUT PRIOR WRITTEN CONSENT OF THE COMPANY.							
PROD APPR	K.SMITH	DATE	19/09/2017			MATERIAL SEE PART NUMBER BREAKDOWN FINISH SEE PART NUMBER BREAKDOWN					POLAMCO LTD, WESTON LOCK, LOWER BRISTOL ROAD BATH BA2 1EP	SHT 2	DRAWING NO: P10743	
QUAL APPR	P.REES	DATE	19/09/2017											
ISSUE/REV	AA	CRN	26424	NCAGE CODE	U5792	WEIGHT								